

ETN029 and DLL3 Binding Affinity Studies: A Technical Overview

Author: BenchChem Technical Support Team. **Date:** April 2026

Compound of Interest

Compound Name: ETN029
Cat. No.: B15604173

[Get Quote](#)

For Researchers, Scientists, and Drug Development Professionals

Executive Summary

ETN029 (also known as MC339) is a novel macrocyclic peptide-based radioligand therapy agent engineered to target Delta-like ligand 3 (DLL3) with high specificity and picomolar affinity. [1][2] DLL3 is an atypical Notch ligand that is overexpressed on the surface of various neuroendocrine tumors, including small cell lung cancer (SCLC) and neuroendocrine prostate cancer (NEPC), while having minimal expression in normal tissues.[1][2] This differential expression profile makes DLL3 an attractive target for targeted cancer therapies. **ETN029** is designed to deliver a potent radioactive payload, such as Actinium-225 (225Ac), directly to DLL3-expressing tumor cells, leading to targeted cell death. This document provides a technical guide on the binding characteristics of **ETN029** to DLL3, the associated signaling pathways, and the experimental methodologies used in its preclinical evaluation.

ETN029-DLL3 Binding Affinity

ETN029 has been characterized as binding to human DLL3 with picomolar affinity.[1][2] This high affinity is a critical attribute for a radioligand therapy agent, as it ensures prolonged retention of the therapeutic payload at the tumor site, thereby maximizing the therapeutic

window. The development of **ETN029** was guided by structural insights from co-crystal analysis to optimize its interaction with the DLL3 target.[1][2]

While specific quantitative data from binding affinity studies (e.g., K_d values from surface plasmon resonance or radioligand binding assays) are not yet publicly available, the repeated characterization as "picomolar" suggests a very strong and specific interaction.

Table 1: Summary of **ETN029**-DLL3 Binding Characteristics

Parameter	Reported Value/Characteristic	Source
Target	Human Delta-like ligand 3 (DLL3)	[1][2]
Ligand	ETN029 (MC339)	[1][2]
Binding Affinity	Picomolar	[1][2]
Specificity	High for DLL3	[1]
Cellular Binding	High in DLL3-expressing cell lines (e.g., SHP-77)	[1]
Internalization	High internalization observed in DLL3-expressing cells	[1]

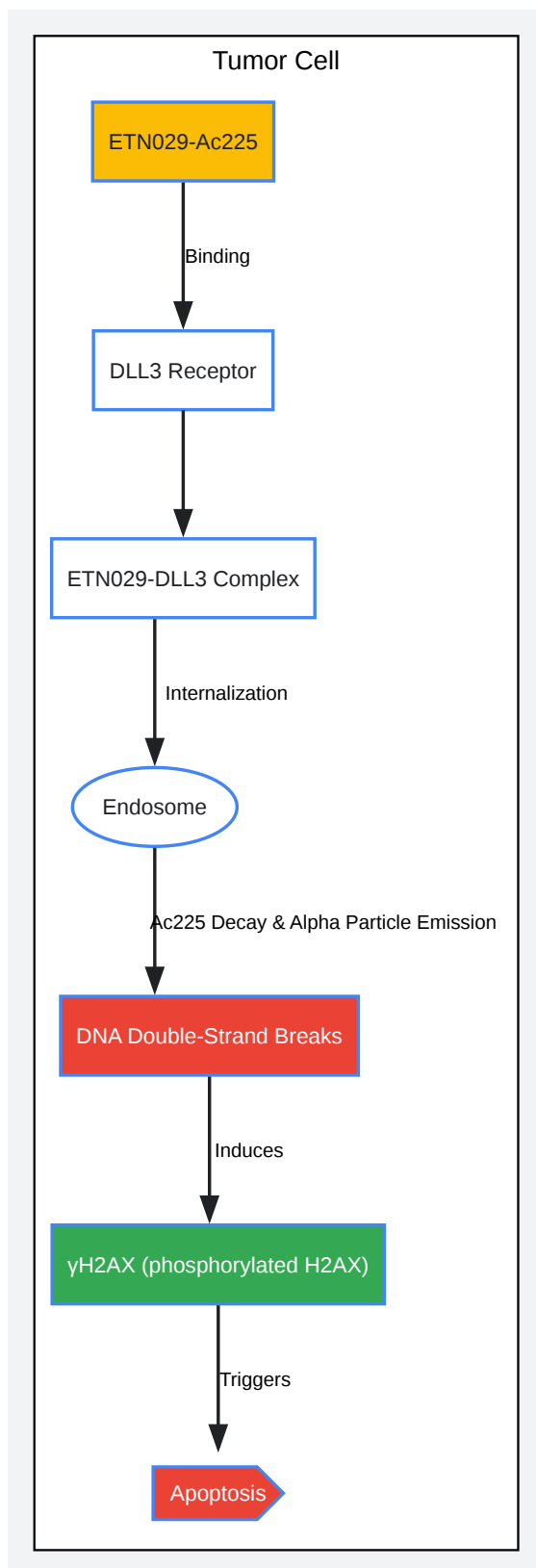
DLL3 Signaling and Mechanism of Action of **ETN029**

DLL3 is an inhibitory ligand within the Notch signaling pathway.[3][4][5] Unlike canonical Notch ligands that activate signaling in adjacent cells, DLL3 primarily acts in a cell-autonomous manner to inhibit Notch signaling.[3][4] It is thought to interact with Notch receptors within the same cell, potentially in the Golgi apparatus or endocytic compartments, leading to their degradation and preventing their transit to the cell surface where they would normally be activated.[3][4]

The therapeutic action of **ETN029** is primarily driven by the targeted delivery of its radionuclide payload. Upon binding to DLL3 on the surface of a cancer cell, the **ETN029**-DLL3 complex is internalized.[1] The subsequent decay of the conjugated radionuclide (e.g., ²²⁵Ac) releases

high-energy alpha particles, which induce DNA double-strand breaks. This leads to the phosphorylation of the histone variant H2AX (forming γ H2AX), a sensitive marker of DNA damage, which in turn triggers apoptotic cell death.^[1]

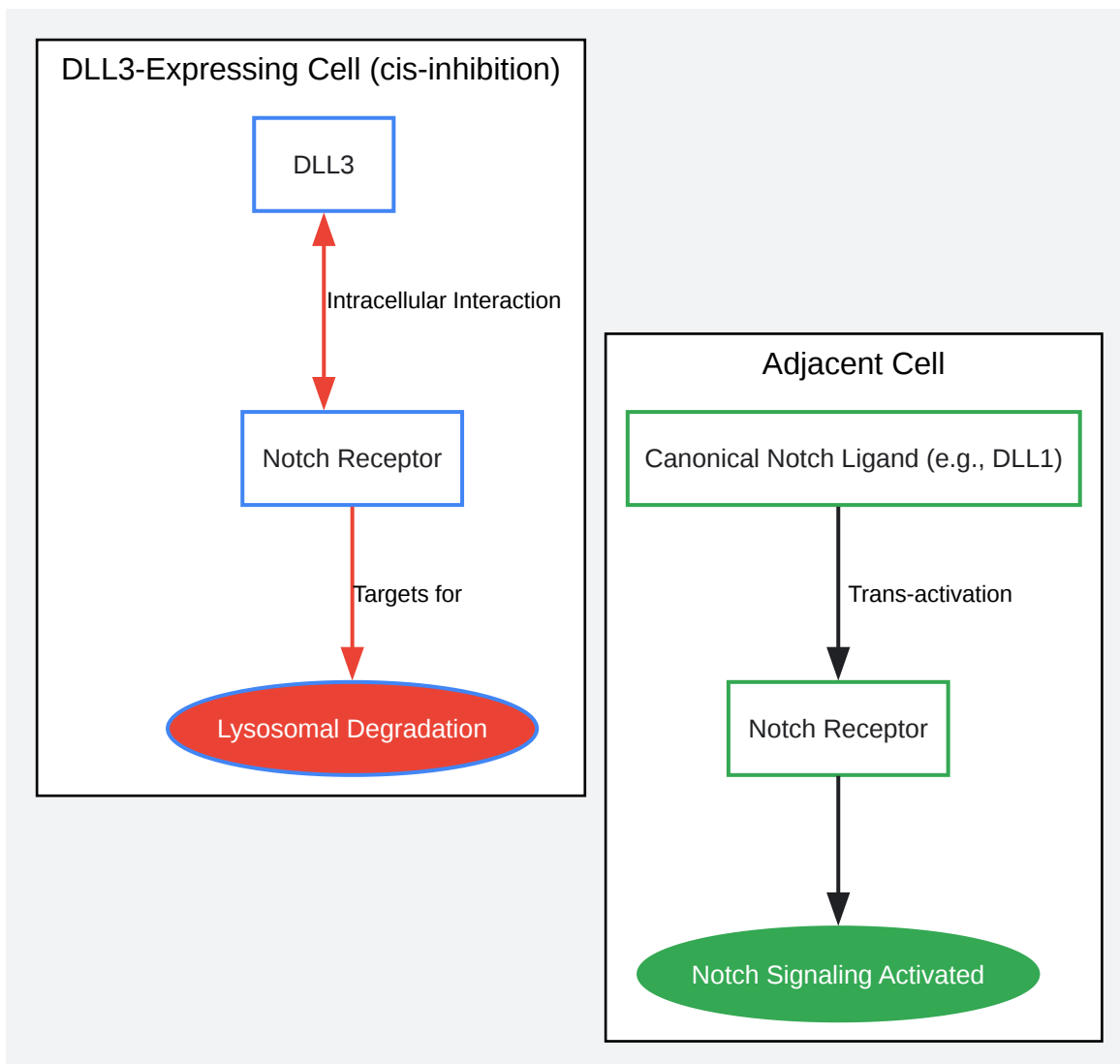
Below is a diagram illustrating the proposed mechanism of action for **ETN029**.



[Click to download full resolution via product page](#)

Caption: Mechanism of action of **ETN029** radioligand therapy.

The following diagram illustrates the inhibitory effect of DLL3 on the canonical Notch signaling pathway.



[Click to download full resolution via product page](#)

Caption: Inhibitory role of DLL3 in Notch signaling.

Experimental Protocols

Detailed, step-by-step protocols for the specific binding and functional assays used for **ETN029** are proprietary and not available in the public domain. However, based on standard methodologies in drug discovery and radiopharmaceutical development, the following sections describe the likely experimental approaches.

Radioligand Binding Assay (Representative Protocol)

This assay would be used to determine the binding affinity (K_d) and receptor density (B_{max}) of a radiolabeled version of **ETN029** (e.g., [^{177}Lu]Lu-**ETN029**) to cells or membranes expressing DLL3.

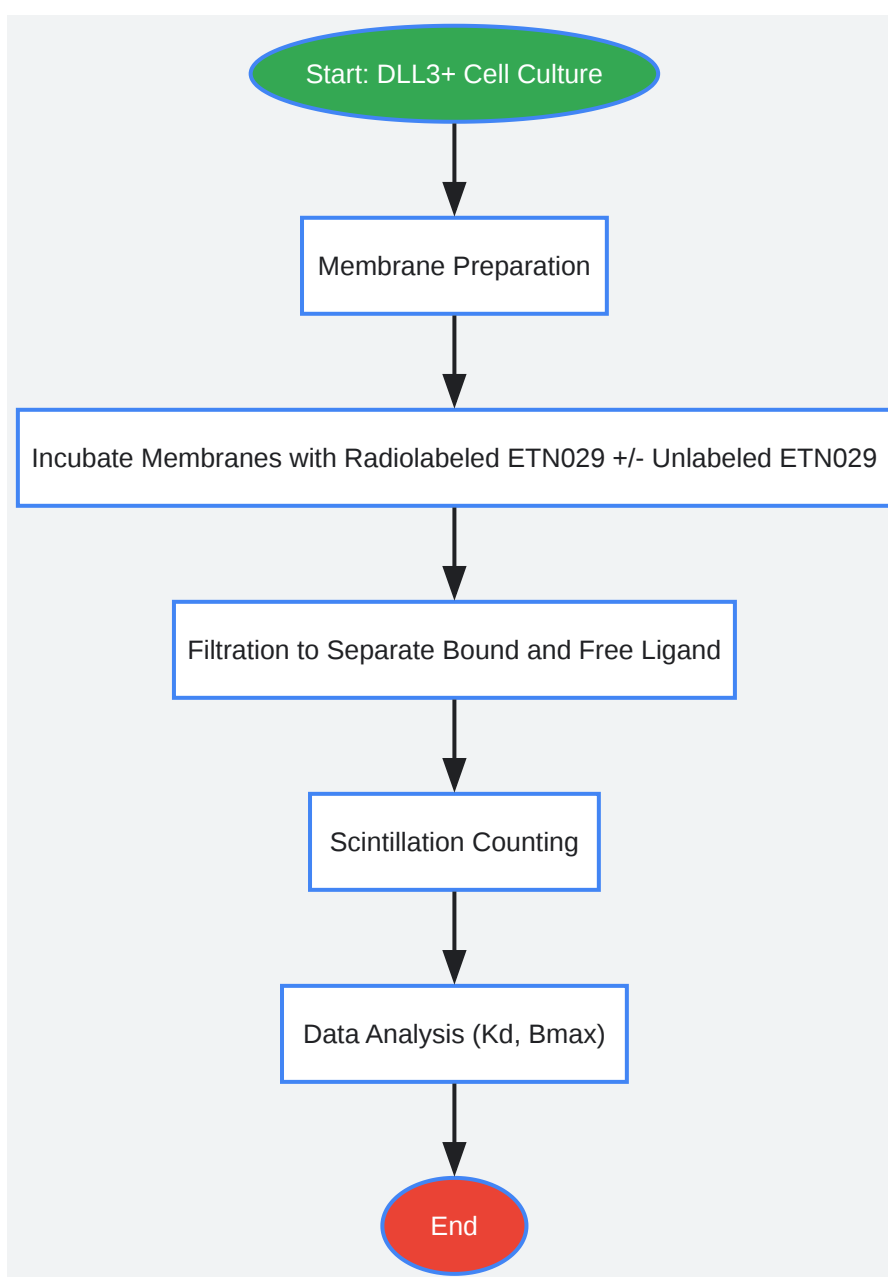
Materials:

- DLL3-expressing cells (e.g., SHP-77) and control (DLL3-negative) cells.
- Cell membrane preparations from these cells.
- Radiolabeled **ETN029** (e.g., [^{177}Lu]Lu-**ETN029**).
- Unlabeled **ETN029**.
- Binding buffer (e.g., Tris-HCl buffer with BSA and protease inhibitors).
- 96-well filter plates.
- Scintillation counter.

Procedure:

- Membrane Preparation: Homogenize DLL3-expressing cells in a cold lysis buffer and centrifuge to pellet the membranes. Resuspend the membrane pellet in the binding buffer.
- Assay Setup: In a 96-well plate, add increasing concentrations of radiolabeled **ETN029** to wells containing a fixed amount of cell membrane protein.
- Non-specific Binding: To a parallel set of wells, add a high concentration of unlabeled **ETN029** in addition to the radiolabeled ligand to determine non-specific binding.
- Incubation: Incubate the plates at a controlled temperature (e.g., 37°C) for a sufficient time to reach equilibrium.
- Filtration: Rapidly filter the contents of each well through the filter plate to separate bound from free radioligand. Wash the filters with ice-cold wash buffer.

- Counting: Measure the radioactivity retained on the filters using a scintillation counter.
- Data Analysis: Subtract non-specific binding from total binding to obtain specific binding. Plot specific binding versus the concentration of the radioligand and fit the data using non-linear regression to determine the K_d and B_{max} .



[Click to download full resolution via product page](#)

Caption: Workflow for a radioligand binding assay.

Cell Internalization Assay (Representative Protocol)

This assay is crucial for radioligand therapies as internalization of the drug-target complex is often required for maximal therapeutic effect.

Materials:

- DLL3-expressing cells (e.g., SHP-77).
- Radiolabeled **ETN029**.
- Acid wash buffer (to remove surface-bound ligand).
- Cell lysis buffer.
- Gamma counter.

Procedure:

- Cell Plating: Plate DLL3-expressing cells in multi-well plates and allow them to adhere overnight.
- Incubation: Add radiolabeled **ETN029** to the cells and incubate at 37°C for various time points.
- Surface Ligand Removal: At each time point, wash the cells with cold PBS. Then, briefly incubate the cells with an acid wash buffer to strip off the surface-bound radioligand.
- Cell Lysis: Lyse the cells with a lysis buffer to release the internalized radioligand.
- Counting: Measure the radioactivity in the acid wash fraction (surface-bound) and the cell lysate fraction (internalized) using a gamma counter.
- Data Analysis: Calculate the percentage of internalized radioligand at each time point.

γ H2AX Phosphorylation Assay (Representative Protocol)

This assay serves as a pharmacodynamic marker for the DNA-damaging effects of the radiolabeled **ETN029**.

Materials:

- DLL3-expressing cells.
- [225Ac]Ac-**ETN029**.
- Fixation and permeabilization buffers.
- Primary antibody against γ H2AX.
- Fluorescently labeled secondary antibody.
- Flow cytometer or fluorescence microscope.

Procedure:

- **Cell Treatment:** Treat DLL3-expressing cells with varying concentrations of [225Ac]Ac-**ETN029** for a defined period.
- **Cell Fixation and Permeabilization:** Harvest the cells, fix them with a suitable fixative (e.g., paraformaldehyde), and then permeabilize the cell membranes (e.g., with methanol or saponin) to allow antibody entry.
- **Immunostaining:** Incubate the cells with a primary antibody specific for γ H2AX, followed by incubation with a fluorescently labeled secondary antibody.
- **Analysis:** Analyze the cells using flow cytometry to quantify the fluorescence intensity, which is proportional to the amount of γ H2AX. Alternatively, visualize the fluorescent signal in the nucleus using fluorescence microscopy.

Conclusion

ETN029 is a promising DLL3-targeting radioligand therapy agent with high binding affinity and specificity. Its mechanism of action, involving targeted delivery of a potent radionuclide to DLL3-expressing tumor cells, has shown significant preclinical efficacy. While detailed

quantitative binding data and specific experimental protocols are not yet fully in the public domain, the available information strongly supports its continued development. Further publication of preclinical and clinical data will provide a more comprehensive understanding of the binding kinetics and therapeutic potential of **ETN029**.

Need Custom Synthesis?

BenchChem offers custom synthesis for rare earth carbides and specific isotopic labeling.

Email: info@benchchem.com or [Request Quote Online](#).

References

- [1. ETN029: Discovery and development of a DLL3-targeting radioligand therapy for the treatment of SCLC and beyond - American Chemical Society \[acs.digitellinc.com\]](#)
- [2. ETN029: Discovery and development of a DLL3-targeting radioligand therapy for the treatment of SCLC and beyond - ACS Fall 2025 - American Chemical Society \[acs.digitellinc.com\]](#)
- [3. academic.oup.com \[academic.oup.com\]](#)
- [4. Notch inhibition by the ligand DELTA-LIKE 3 defines the mechanism of abnormal vertebral segmentation in spondylocostal dysostosis - PubMed \[pubmed.ncbi.nlm.nih.gov\]](#)
- [5. What are DLL3 inhibitors and how do they work? \[synapse.patsnap.com\]](#)
- To cite this document: BenchChem. [ETN029 and DLL3 Binding Affinity Studies: A Technical Overview]. BenchChem, [2026]. [Online PDF]. Available at: [\[https://www.benchchem.com/product/b15604173/docs#etn029-and-dll3-binding-affinity-studies-a-technical-overview\]](https://www.benchchem.com/product/b15604173/docs#etn029-and-dll3-binding-affinity-studies-a-technical-overview)

Disclaimer & Data Validity:

The information provided in this document is for Research Use Only (RUO) and is strictly not intended for diagnostic or therapeutic procedures. While BenchChem strives to provide accurate protocols, we make no warranties, express or implied, regarding the fitness of this product for every specific experimental setup.

Technical Support: The protocols provided are for reference purposes. Unsure if this reagent suits your experiment?

Need Industrial/Bulk Grade? [Request Custom Synthesis Quote](#)

BenchChem

Our mission is to be the trusted global source of essential and advanced chemicals, empowering scientists and researchers to drive progress in science and industry.

Contact

Address: 3281 E Guasti Rd
Ontario, CA 91761, United States
Phone: (601) 213-4426
Email: info@benchchem.com

[Contact our Ph.D. Support Team for a compatibility check](#)