

Optimizing Eed226 Concentration for Cell Culture: A Technical Support Guide

Author: BenchChem Technical Support Team. **Date:** April 2026

Compound of Interest

Compound Name: Eed226
Cat. No.: B15603109

[Get Quote](#)

This technical support center provides researchers, scientists, and drug development professionals with comprehensive troubleshooting guides and frequently asked questions (FAQs) for optimizing the concentration of **Eed226** in cell culture experiments. **Eed226** is a potent and selective allosteric inhibitor of the Polycomb Repressive Complex 2 (PRC2), which functions by binding to the H3K27me3 pocket of the EED subunit.[1][2][3] This guide will help you navigate common challenges to ensure reliable and reproducible results.

Frequently Asked Questions (FAQs)

Q1: What is the mechanism of action for **Eed226**?

A1: **Eed226** is an allosteric inhibitor of the PRC2 complex. It selectively binds to the aromatic cage of the EED subunit that normally recognizes trimethylated histone H3 at lysine 27 (H3K27me3).[1][2] This binding event induces a conformational change in EED, which leads to a loss of PRC2 catalytic activity, preventing the methylation of H3K27.[1]

Q2: What is the recommended starting concentration for **Eed226** in cell culture?

A2: The optimal concentration of **Eed226** is highly cell-line dependent. Based on published data, a starting range of 0.1 μM to 10 μM is recommended. For example, the IC50 for

antiproliferative activity in KARPAS422 cells is approximately 0.08 μM , while the IC₅₀ for the reduction of global H3K27me₃ in G401 cells is 0.22 μM after 48 hours.[1] It is crucial to perform a dose-response experiment to determine the optimal concentration for your specific cell line and experimental endpoint.

Q3: How should I prepare and store **Eed226**?

A3: **Eed226** is soluble in DMSO up to 100 mM.[3] For cell culture experiments, prepare a concentrated stock solution in sterile DMSO. It is recommended to store the stock solution at -20°C or -80°C for long-term stability.[4] When preparing your working concentrations, dilute the stock solution in your cell culture medium. Be aware that hygroscopic DMSO can affect solubility, so it is best to use fresh, anhydrous DMSO.[4]

Q4: How long does it take for **Eed226** to exert its effects?

A4: The timeframe for observing the effects of **Eed226** can vary depending on the cell line and the endpoint being measured. A reduction in global H3K27me₃ levels can be observed as early as 48 to 72 hours post-treatment.[1][5] Effects on cell proliferation may take longer, with some studies reporting measurements up to 14 days.[1]

Troubleshooting Guide

This guide addresses specific issues you may encounter during your experiments with **Eed226**.

Issue 1: No observable effect or low efficacy at expected concentrations.

- Potential Cause 1: Suboptimal Concentration. The effective concentration of **Eed226** is cell-type specific.
 - Solution: Perform a dose-response experiment to determine the optimal concentration for your cell line. We recommend testing a broad range of concentrations (e.g., 0.01 μM to 20 μM).
- Potential Cause 2: Insufficient Incubation Time. The downstream effects of PRC2 inhibition, such as changes in gene expression and cell proliferation, may require a longer incubation period.

- Solution: Conduct a time-course experiment (e.g., 24, 48, 72, 96 hours) to identify the optimal treatment duration for your desired outcome.
- Potential Cause 3: Compound Instability. **Eed226** may degrade in the culture medium over extended periods.
 - Solution: For long-term experiments, consider replenishing the medium with fresh **Eed226** every 48-72 hours.
- Potential Cause 4: Cell Line Resistance. Some cell lines may be inherently resistant to PRC2 inhibition.
 - Solution: Confirm the expression and functionality of the PRC2 complex in your cell line. Consider using a positive control cell line known to be sensitive to **Eed226**, such as KARPAS422.[\[1\]](#)

Issue 2: High levels of cytotoxicity or cell death.

- Potential Cause 1: Concentration is too high. Excessive concentrations of **Eed226** can lead to off-target effects and cytotoxicity.[\[6\]](#)
 - Solution: Perform a cytotoxicity assay (e.g., MTT or CellTiter-Glo®) in parallel with your dose-response experiment to determine the concentration range that is effective without being overly toxic. Aim for a concentration that gives the desired biological effect with minimal impact on cell viability.
- Potential Cause 2: On-target toxicity. In some cell lines, the inhibition of PRC2 is inherently cytotoxic as it is essential for their survival.
 - Solution: If the cytotoxicity is observed at concentrations that are effective for inhibiting H3K27me3, this may be an on-target effect. In this case, you may need to adjust your experimental design or consider using lower, non-toxic concentrations for mechanistic studies.
- Potential Cause 3: Solvent Toxicity. High concentrations of the solvent (DMSO) can be toxic to cells.

- Solution: Ensure the final concentration of DMSO in your culture medium is low (typically $\leq 0.1\%$) and include a vehicle control (medium with the same concentration of DMSO) in your experiments.

Issue 3: Inconsistent or variable results between experiments.

- Potential Cause 1: Inconsistent Cell Culture Conditions. Variations in cell density, passage number, or media formulation can affect the cellular response to **Eed226**.
 - Solution: Maintain consistent cell culture practices. Use cells within a defined passage number range and ensure consistent seeding densities for all experiments.
- Potential Cause 2: Issues with **Eed226** Stock Solution. Improper storage or multiple freeze-thaw cycles can lead to degradation of the compound.
 - Solution: Aliquot your **Eed226** stock solution upon receipt to minimize freeze-thaw cycles. Store aliquots at -20°C or -80°C and protect them from light.
- Potential Cause 3: Mycoplasma Contamination. Mycoplasma contamination can alter cellular physiology and response to treatments.
 - Solution: Regularly test your cell cultures for mycoplasma contamination.

Data Presentation

Table 1: In Vitro Efficacy of **Eed226** in Various Assays and Cell Lines

| Assay Type | Cell Line/Target | IC50 / Effective Concentration | Incubation Time | Reference |
|--|------------------|----------------------------------|-----------------|-----------|
| Enzymatic Assay (Peptide Substrate) | PRC2 | 23.4 nM | N/A | [1] |
| Enzymatic Assay (Mononucleosome Substrate) | PRC2 | 53.5 nM | N/A | [1] |
| Antiproliferative Assay | KARPAS422 | 0.08 μ M | Up to 14 days | [1] |
| H3K27me3 Reduction (ELISA) | G401 | 0.22 μ M | 48 hours | [1] |
| H3K27me3 Reduction | C666-1 and HK1 | 1 μ M, 5 μ M, 10 μ M | 72 hours | [7] |
| Latency Reversal | JLatA2 | 10 μ M | 96 hours | [8] |
| Cell Proliferation Inhibition | C666-1 | Low concentrations | 72 hours | [7] |
| Cell Proliferation Inhibition | HK1 | Higher concentrations | 72 hours | [7] |

Experimental Protocols

Protocol 1: Determining the Optimal Concentration of **Eed226** using a Dose-Response and Cytotoxicity Assay

This protocol outlines a method to determine the optimal working concentration of **Eed226** for a specific cell line by simultaneously assessing its effect on a downstream marker (H3K27me3) and cell viability.

Materials:

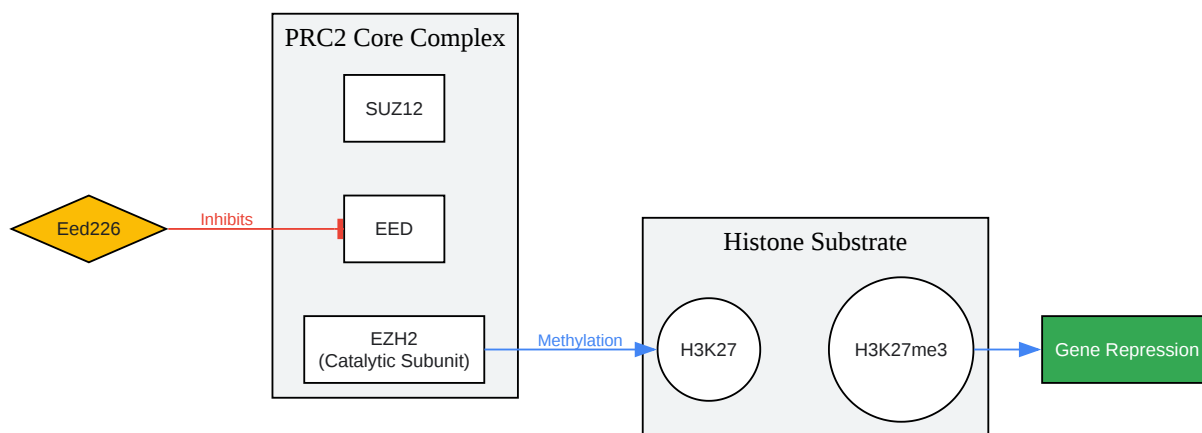
- Your cell line of interest
- Complete cell culture medium
- **Eed226** stock solution (e.g., 10 mM in DMSO)
- 96-well cell culture plates
- Reagents for Western blotting (for H3K27me3 detection)
- MTT reagent (e.g., 5 mg/mL in PBS)
- Solubilization solution (e.g., SDS-HCl or DMSO)[9][10]

Methodology:

- Cell Seeding: Seed your cells in two 96-well plates at a density that will allow for logarithmic growth for the duration of the experiment. Allow cells to adhere overnight.
- **Eed226** Treatment: Prepare a serial dilution of **Eed226** in complete culture medium. A suggested concentration range is 0 (vehicle control), 0.01, 0.05, 0.1, 0.5, 1, 5, 10, and 20 μ M. Ensure the final DMSO concentration is consistent across all wells and does not exceed 0.1%.
- Incubation: Replace the medium in each well with the medium containing the different concentrations of **Eed226**. Incubate the plates for your desired time point (e.g., 72 hours).
- Plate 1: H3K27me3 Level Assessment (Western Blot):
 - Lyse the cells from each concentration point.
 - Perform SDS-PAGE and transfer proteins to a PVDF membrane.
 - Probe the membrane with a primary antibody specific for H3K27me3 and a loading control (e.g., total Histone H3).
 - Incubate with an appropriate secondary antibody and visualize the bands.

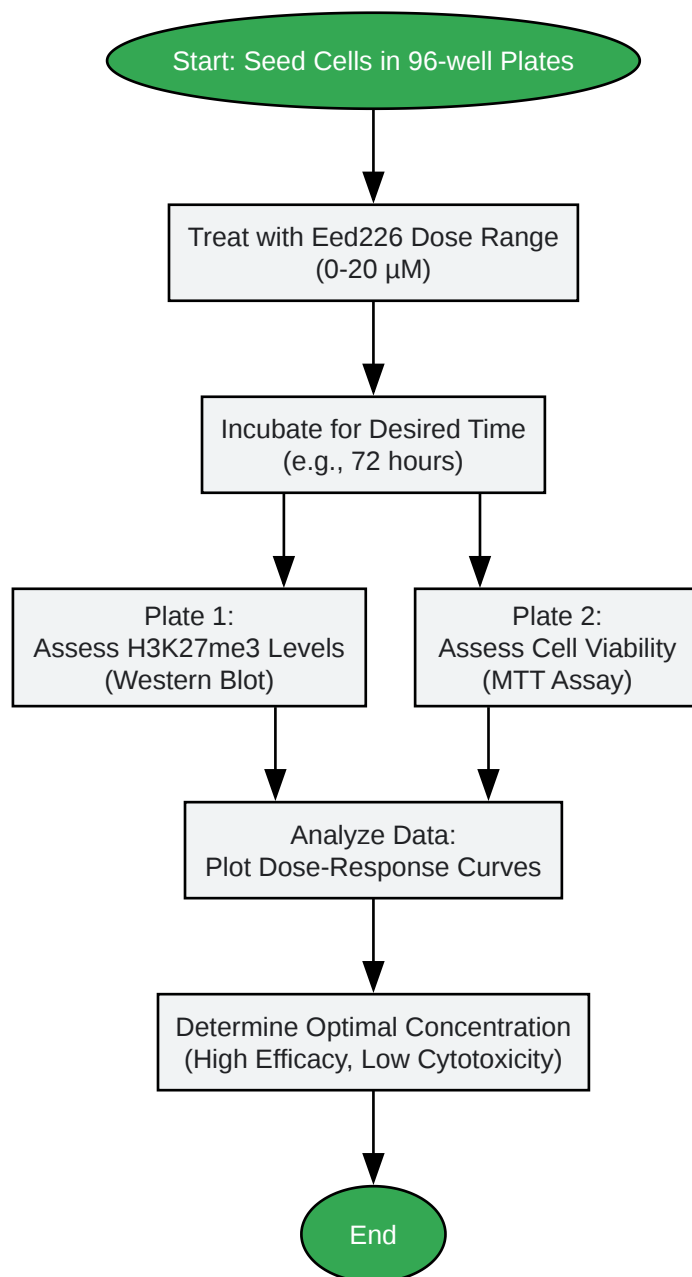
- Quantify the band intensities to determine the concentration at which a significant reduction in H3K27me3 is observed.
- Plate 2: Cell Viability Assessment (MTT Assay):[\[9\]](#)[\[10\]](#)[\[11\]](#)[\[12\]](#)
 - Add 10 μ L of MTT reagent to each well.[\[9\]](#)
 - Incubate the plate for 4 hours at 37°C.[\[9\]](#)
 - Add 100 μ L of solubilization solution to each well.[\[9\]](#)
 - Incubate overnight at 37°C in a humidified atmosphere.[\[11\]](#)
 - Measure the absorbance at 570 nm using a microplate reader.
- Data Analysis: Plot the percentage of H3K27me3 reduction and the percentage of cell viability against the log of the **Eed226** concentration. The optimal concentration will be in the range that effectively reduces H3K27me3 levels with minimal cytotoxicity.

Visualizations



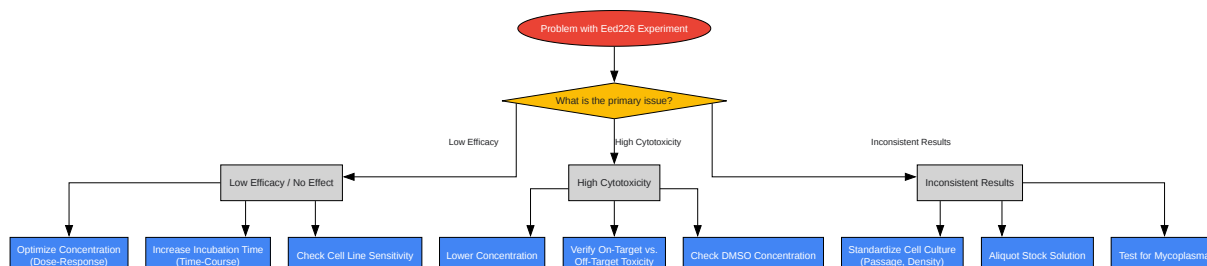
[Click to download full resolution via product page](#)

Caption: PRC2 signaling pathway and **Eed226** inhibition.



[Click to download full resolution via product page](#)

Caption: Workflow for optimizing **Eed226** concentration.



[Click to download full resolution via product page](#)

Caption: Troubleshooting logic for **Eed226** experiments.

Need Custom Synthesis?

BenchChem offers custom synthesis for rare earth carbides and specific isotopic labeling.

Email: info@benchchem.com or [Request Quote Online](#).

References

- [1. selleckchem.com \[selleckchem.com\]](https://www.selleckchem.com)
- [2. EED 226 | Other Lysine Methyltransferases | Tocris Bioscience \[toocris.com\]](https://www.tocris.com)
- [3. rndsystems.com \[rndsystems.com\]](https://www.rndsystems.com)
- [4. medchemexpress.com \[medchemexpress.com\]](https://www.medchemexpress.com)
- [5. Evaluation of EED Inhibitors as a Class of PRC2-Targeted Small Molecules for HIV Latency Reversal - PMC \[pmc.ncbi.nlm.nih.gov\]](https://pubmed.ncbi.nlm.nih.gov/)
- [6. Degradation of Polycomb Repressive Complex 2 with an EED-targeted Bivalent Chemical Degradator - PMC \[pmc.ncbi.nlm.nih.gov\]](https://pubmed.ncbi.nlm.nih.gov/)

- [7. Targeting the polycomb repressive complex-2 related proteins with novel combinational strategies for nasopharyngeal carcinoma - PMC \[pmc.ncbi.nlm.nih.gov\]](#)
- [8. pubs.acs.org \[pubs.acs.org\]](#)
- [9. CyQUANT MTT Cell Proliferation Assay Kit Protocol | Thermo Fisher Scientific - TW \[thermofisher.com\]](#)
- [10. MTT \(Assay protocol \[protocols.io\]](#)
- [11. 四唑盐法\(MTT\)细胞活力和增殖检测方案 \[sigmaaldrich.cn\]](#)
- [12. broadpharm.com \[broadpharm.com\]](#)
- To cite this document: BenchChem. [Optimizing Eed226 Concentration for Cell Culture: A Technical Support Guide]. BenchChem, [2026]. [Online PDF]. Available at: [\[https://www.benchchem.com/product/b15603109/docs#optimizing-eed226-concentration-for-cell-culture-a-technical-support-guide\]](https://www.benchchem.com/product/b15603109/docs#optimizing-eed226-concentration-for-cell-culture-a-technical-support-guide)

Disclaimer & Data Validity:

The information provided in this document is for Research Use Only (RUO) and is strictly not intended for diagnostic or therapeutic procedures. While BenchChem strives to provide accurate protocols, we make no warranties, express or implied, regarding the fitness of this product for every specific experimental setup.

Technical Support: The protocols provided are for reference purposes. Unsure if this reagent suits your experiment?

Need Industrial/Bulk Grade? [Request Custom Synthesis Quote](#)

BenchChem

Our mission is to be the trusted global source of essential and advanced chemicals, empowering scientists and researchers to drive progress in science and industry.

Contact

Address: 3281 E Guasti Rd
Ontario, CA 91761, United States
Phone: (601) 213-4426
Email: info@benchchem.com

Contact our Ph.D. Support Team for a compatibility check