

Essential Safety and Operational Guide for Handling SMI-16a

Author: BenchChem Technical Support Team. **Date:** April 2026

Compound of Interest

Compound Name: SMI-16a
Cat. No.: B15602568

[Get Quote](#)

For researchers, scientists, and drug development professionals, ensuring laboratory safety is paramount, especially when handling potent, biologically active small molecules like **SMI-16a**. While the Safety Data Sheet (SDS) for **SMI-16a** indicates it is not classified as hazardous under the Globally Harmonized System (GHS), it is prudent to adopt a comprehensive safety protocol based on best practices for handling kinase inhibitors. This guide provides essential, immediate safety and logistical information, including detailed personal protective equipment (PPE) recommendations, as well as operational and disposal plans to minimize exposure and ensure a safe laboratory environment.

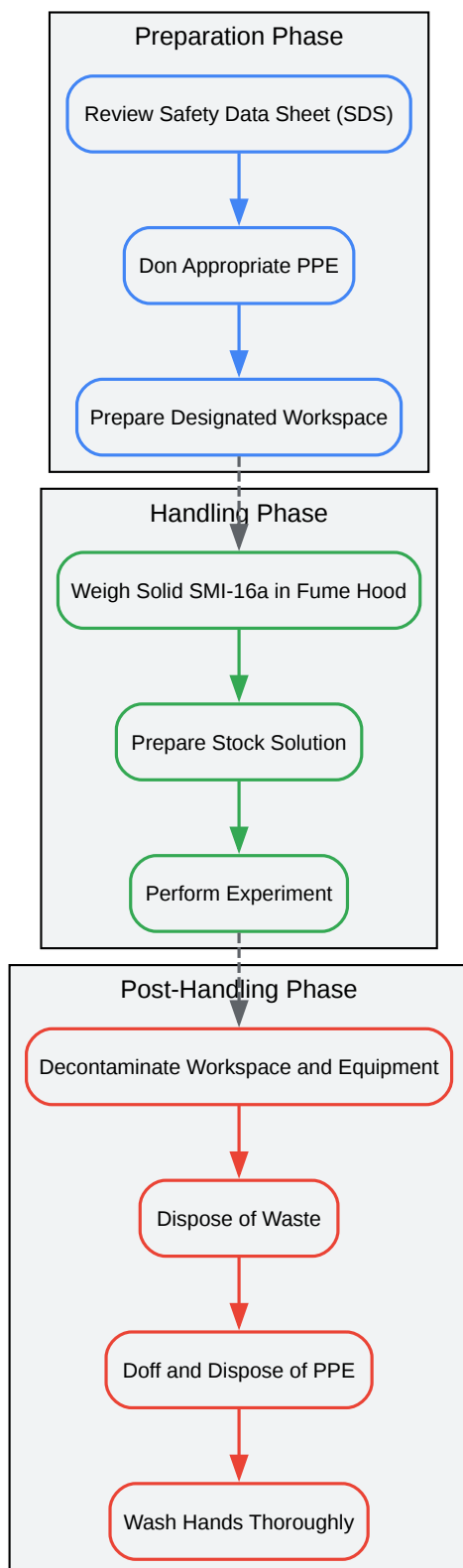
Personal Protective Equipment (PPE): A Multi-Layered Defense

A multi-layered approach to PPE is mandatory when handling **SMI-16a**, particularly in its solid form, to prevent inhalation of fine powders and skin contact.^[1] The following table summarizes the recommended PPE for various laboratory activities involving this compound.

Laboratory Activity	Recommended Personal Protective Equipment
Weighing and Aliquoting (Solid Form)	- Respirator: NIOSH-approved N95 or higher-rated respirator. - Gloves: Two pairs of nitrile gloves (double-gloving). - Eye Protection: Chemical splash goggles. - Lab Coat: Dedicated, disposable, or non-absorbent lab coat. - Ventilation: Certified chemical fume hood or powder containment hood.[1]
Solution Preparation and Handling	- Gloves: Two pairs of nitrile gloves. - Eye Protection: Chemical splash goggles or a face shield for splash risks. - Lab Coat: Standard laboratory coat. - Ventilation: Chemical fume hood.[1]
Cell Culture and In Vitro Assays	- Gloves: Nitrile gloves. - Eye Protection: Safety glasses with side shields. - Lab Coat: Standard laboratory coat. - Containment: Class II biological safety cabinet.[1]
Waste Disposal	- Gloves: Heavy-duty nitrile or butyl rubber gloves. - Eye Protection: Chemical splash goggles. - Lab Coat: Standard laboratory coat. [1]

Experimental Workflow for Safe Handling of SMI-16a

A clear and concise operational plan is essential for the safe management of **SMI-16a** within the laboratory. The following diagram outlines a typical workflow for handling **SMI-16a** from receipt to disposal.



[Click to download full resolution via product page](#)

A typical experimental workflow for handling **SMI-16a**.

Disposal Plan

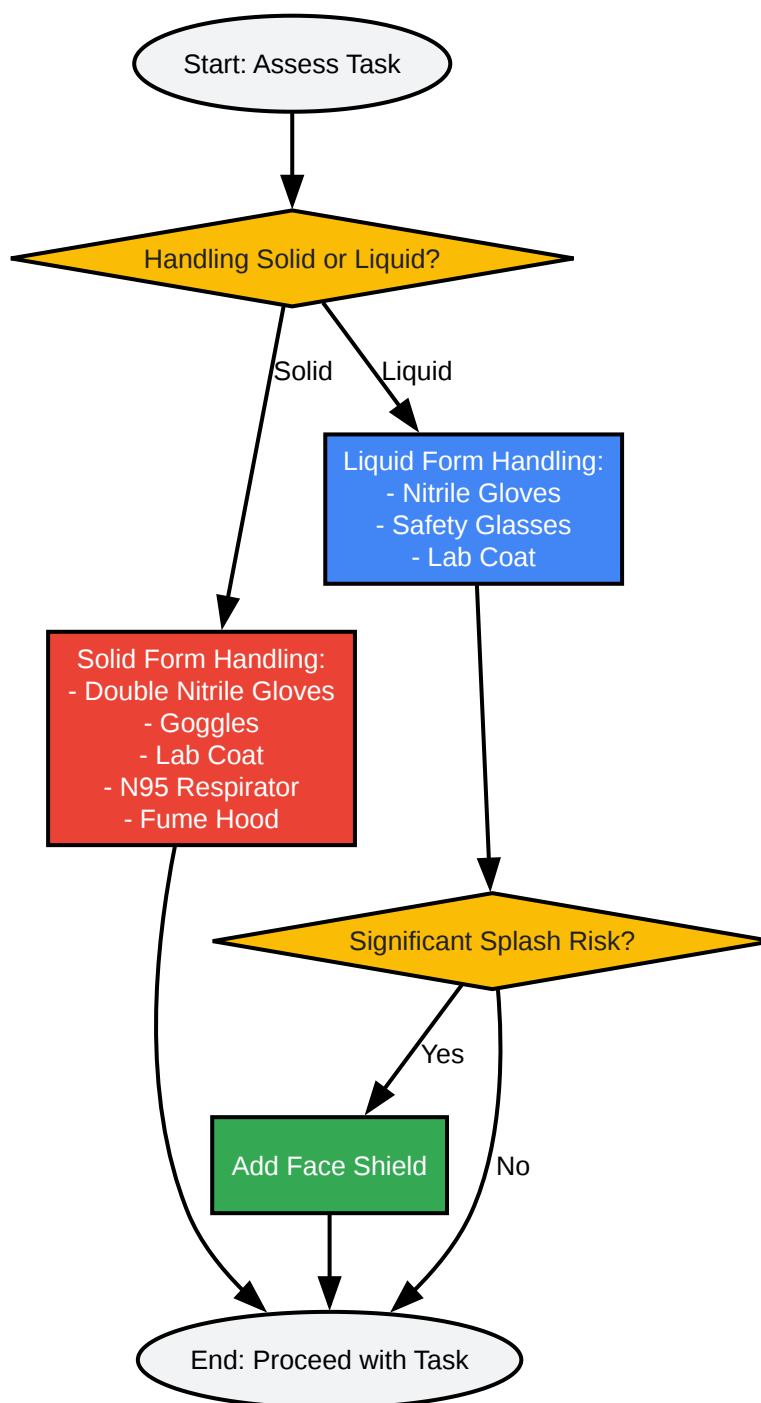
Proper disposal of **SMI-16a** and contaminated materials is crucial to prevent environmental contamination and ensure regulatory compliance.

- Solid Waste: Collect in a dedicated, labeled, and sealed hazardous waste container.
- Liquid Waste: Collect in a dedicated, labeled, and sealed hazardous waste container.
- Contaminated Sharps: Dispose of in a puncture-resistant sharps container labeled for hazardous chemical waste.

All disposal must be in accordance with local, state, and federal regulations.

Logical Relationship for PPE Selection

The selection of appropriate PPE is directly related to the potential for exposure during a given procedure. The following diagram illustrates the decision-making process for PPE selection when handling **SMI-16a**.



[Click to download full resolution via product page](#)

Decision-making process for selecting appropriate PPE.

Need Custom Synthesis?

BenchChem offers custom synthesis for rare earth carbides and specific isotopic labeling.

Email: info@benchchem.com or [Request Quote Online](#).

References

- [1. benchchem.com \[benchchem.com\]](#)
- To cite this document: BenchChem. [Essential Safety and Operational Guide for Handling SMI-16a]. BenchChem, [2026]. [Online PDF]. Available at: [\[https://www.benchchem.com/product/b15602568/docs#essential-safety-and-operational-guide-for-handling-smi-16a\]](https://www.benchchem.com/product/b15602568/docs#essential-safety-and-operational-guide-for-handling-smi-16a)

Disclaimer & Data Validity:

The information provided in this document is for Research Use Only (RUO) and is strictly not intended for diagnostic or therapeutic procedures. While BenchChem strives to provide accurate protocols, we make no warranties, express or implied, regarding the fitness of this product for every specific experimental setup.

Technical Support: The protocols provided are for reference purposes. Unsure if this reagent suits your experiment?

Need Industrial/Bulk Grade? [Request Custom Synthesis Quote](#)

BenchChem

Our mission is to be the trusted global source of essential and advanced chemicals, empowering scientists and researchers to drive progress in science and industry.

Contact

Address: 3281 E Guasti Rd
Ontario, CA 91761, United States
Phone: (601) 213-4426
Email: info@benchchem.com

[Contact our Ph.D. Support Team for a compatibility check](#)

