

Application Notes and Protocols: Effective Inhibition of Connexin 43 Channels with Gap 26

Author: BenchChem Technical Support Team. **Date:** April 2026

Compound of Interest

Compound Name: Gap 26
Cat. No.: B15602440

[Get Quote](#)

Audience: Researchers, scientists, and drug development professionals.

Introduction:

Gap 26 is a mimetic peptide corresponding to a sequence in the first extracellular loop of connexin 43 (Cx43)^{[1][2]}. It is widely utilized as a reversible inhibitor of channels formed by this protein.^[1] Connexin proteins assemble into hexameric structures known as hemichannels (or connexons) in the plasma membrane. These hemichannels can function independently or dock with hemichannels from an adjacent cell to form gap junction channels, which facilitate direct intercellular communication.^{[1][3][4]} **Gap 26** has been shown to block both Cx43 hemichannels and gap junction channels, though with different kinetics.^{[1][3][4]} Understanding the appropriate treatment duration and concentration of **Gap 26** is critical for designing experiments that effectively and selectively target these channels. These application notes provide a comprehensive guide to the use of **Gap 26** for the effective inhibition of Cx43 channels.

Mechanism of Action

Gap 26, with the amino acid sequence VCYDKSFPISHVR, mimics a portion of the first extracellular loop of Cx43.^[5] It is believed to bind to this extracellular domain, leading to channel closure.^{[3][4]} A key finding is the differential kinetics of inhibition between

hemichannels and gap junctions. The inhibition of Cx43 hemichannels by **Gap 26** is a rapid process, occurring within minutes of application.[1][6] In contrast, the inhibition of gap junctional communication is a slower process, typically requiring 30 minutes or longer.[1][3][4] This temporal difference allows for the selective targeting of hemichannels over gap junctions with shorter treatment durations.

Quantitative Data Summary

The following tables summarize the effective concentrations and treatment durations of **Gap 26** for the inhibition of Cx43 hemichannels and gap junctions as reported in various studies.

Table 1: Effective Concentrations and Treatment Durations for Cx43 Hemichannel Inhibition

Cell Type	Concentration	Treatment Duration	Assay	Outcome	Reference
HeLa cells expressing Cx43	Not Specified	< 5 min	Electrophysiology (hemichannel currents)	Inhibition of hemichannel currents	[1]
HeLa-Cx43 cells	250 μ M	10 min	Electrophysiology (unitary currents)	Time-dependent decrease in unitary current	[6]
Isolated pig ventricular cardiomyocytes	160 μ M	5 min	Electrophysiology (unitary currents)	Reduction of Ca ²⁺ -mediated enhancement of unitary current activity	[6]
RBE4, SV-ARBE, ECV304 cells	0.25 mg/mL	30 min	ATP release assay	Complete abolishment of InsP ₃ -triggered ATP release	[2]
Endothelial cells	Not Specified	Not Specified	ATP release assay	Inhibition of IP ₃ -induced ATP release	

Table 2: Effective Concentrations and Treatment Durations for Cx43 Gap Junction Inhibition

Cell Type	Concentration	Treatment Duration	Assay	Outcome	Reference
HeLa cell pairs expressing Cx43	Not Specified	30 min	Electrophysiology (electrical coupling)	Inhibition of electrical coupling	[1]
HeLa cell pairs expressing Cx43	Not Specified	30-40 min	Electrophysiology (gap junction conductance)	Complete inhibition of cell-to-cell coupling	[7]
Neonatal cardiomyocytes	Not Specified	48 h	Flow cytometry (EV transfer)	Blockade of Cx43 gap junctions	[7]
Rabbit superior mesenteric arteries	100-300 μ M (IC50 = 28.4 \pm 3.4 μ M)	Not Specified	Rhythmic contraction assay	Dose-dependent reduction of rhythmic responses	[2]
Cirrhotic rats (in vivo)	1 μ g/kg/day	8 weeks	Electrocardiogram	Not Specified	[8]

Experimental Protocols

Protocol 1: Inhibition of Cx43 Hemichannels in Cell Culture

This protocol is designed for the rapid inhibition of Cx43 hemichannels in cultured cells, suitable for assays such as ATP release or dye uptake.

Materials:

- Cells expressing Cx43
- Cell culture medium

- **Gap 26** peptide
- Phosphate-buffered saline (PBS)
- Assay-specific reagents (e.g., ATP measurement kit, fluorescent dye)

Procedure:

- Cell Culture: Plate cells at an appropriate density and culture until they reach the desired confluency.
- Preparation of **Gap 26**: Prepare a stock solution of **Gap 26** in a suitable solvent (e.g., sterile water or PBS). The final concentration for hemichannel inhibition typically ranges from 160 μM to 250 μM .^[6]
- Treatment:
 - For short-term inhibition (< 5-10 minutes), pre-incubate the cells with the desired concentration of **Gap 26** in culture medium for 5 to 10 minutes prior to the assay.^{[1][6]}
 - Alternatively, **Gap 26** can be added directly to the assay medium at the start of the experiment.
- Assay Performance: Perform the desired assay (e.g., ATP release, dye uptake) according to the specific protocol.
- Data Analysis: Quantify the results and compare the **Gap 26**-treated group to the vehicle control.

Protocol 2: Inhibition of Cx43 Gap Junctions in Cell Culture

This protocol is designed for the inhibition of gap junctional intercellular communication (GJIC), which requires a longer incubation period with **Gap 26**.

Materials:

- Cells expressing Cx43

- Cell culture medium
- **Gap 26** peptide
- Phosphate-buffered saline (PBS)
- Assay-specific reagents (e.g., calcein-AM, Lucifer yellow)

Procedure:

- Cell Culture: Plate cells at a density that promotes cell-to-cell contact and the formation of gap junctions.
- Preparation of **Gap 26**: Prepare a stock solution of **Gap 26** as described in Protocol 1.
- Treatment: Pre-incubate the cells with **Gap 26** at the desired concentration for at least 30-40 minutes to ensure the inhibition of gap junctions.^{[1][7]} For longer-term studies, treatment can be extended to 24-48 hours.^[7]
- Assay Performance: Perform a GJIC assay, such as scrape-loading dye transfer or fluorescence recovery after photobleaching (FRAP).
- Data Analysis: Quantify the extent of dye transfer or fluorescence recovery and compare the **Gap 26**-treated group to the vehicle control.

Protocol 3: Electrophysiological Measurement of Channel Inhibition

This protocol outlines the use of patch-clamp electrophysiology to measure the inhibition of Cx43 hemichannel and gap junction currents.

Materials:

- Patch-clamp setup
- Glass micropipettes
- External and internal recording solutions

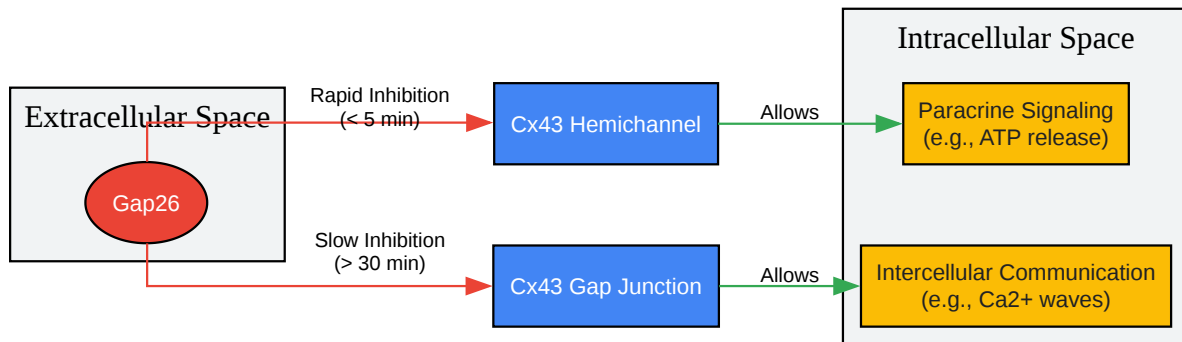
- Cells expressing Cx43
- **Gap 26** peptide

Procedure:

- Cell Preparation: Prepare cells for patch-clamp recording.
- Hemichannel Current Recording:
 - Establish a whole-cell patch-clamp configuration on a single cell.
 - Apply voltage steps to elicit hemichannel currents.
 - Perfuse the cell with a solution containing **Gap 26** (e.g., 160-250 μ M).
 - Monitor the current amplitude over time to observe the rapid inhibition of hemichannel activity.[\[1\]](#)[\[6\]](#)
- Gap Junction Current Recording:
 - Establish a dual whole-cell patch-clamp configuration on a pair of coupled cells.
 - Apply a voltage step to one cell and record the junctional current in the other cell.
 - Perfuse the cell pair with a solution containing **Gap 26**.
 - Monitor the junctional conductance over a period of 30-40 minutes to observe the slower inhibition of gap junction channels.[\[1\]](#)[\[9\]](#)
- Data Analysis: Analyze the current traces to determine the extent and time course of inhibition.

Visualizations

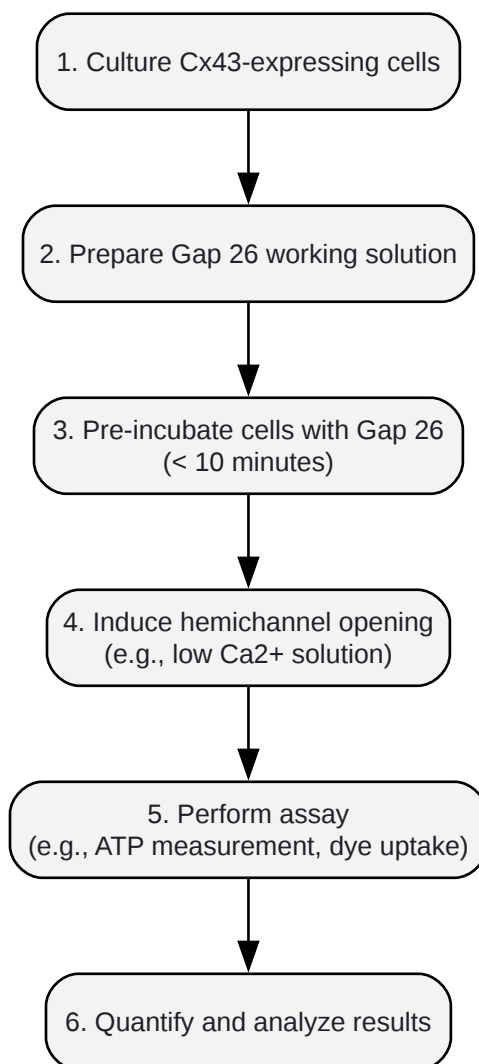
Signaling Pathway and Mechanism of Action



[Click to download full resolution via product page](#)

Caption: Mechanism of **Gap 26** action on Cx43 hemichannels and gap junctions.

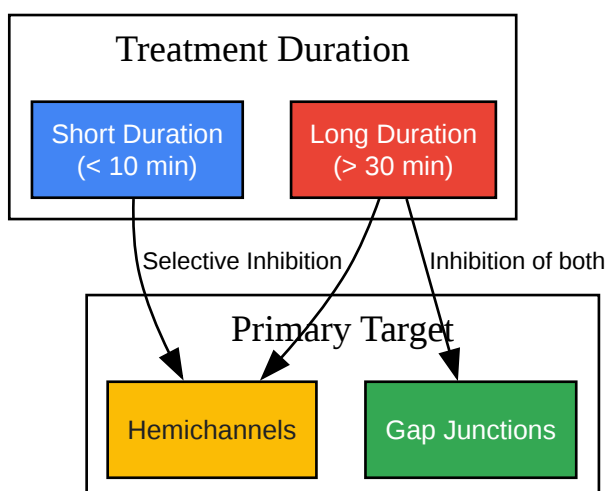
Experimental Workflow for Hemichannel Inhibition Assay



[Click to download full resolution via product page](#)

Caption: Workflow for assessing Cx43 hemichannel inhibition by **Gap 26**.

Logical Relationship of Treatment Duration and Target Selectivity



[Click to download full resolution via product page](#)

Caption: Relationship between **Gap 26** treatment duration and target selectivity.

Need Custom Synthesis?

BenchChem offers custom synthesis for rare earth carbides and specific isotopic labeling.

Email: info@benchchem.com or [Request Quote Online](#).

References

- 1. Gap26, a connexin mimetic peptide, inhibits currents carried by connexin43 hemichannels and gap junction channels - PubMed [pubmed.ncbi.nlm.nih.gov]
- 2. medchemexpress.com [medchemexpress.com]
- 3. researchgate.net [researchgate.net]
- 4. researchgate.net [researchgate.net]
- 5. researchgate.net [researchgate.net]
- 6. Connexin mimetic peptides inhibit Cx43 hemichannel opening triggered by voltage and intracellular Ca²⁺ elevation - PMC [pmc.ncbi.nlm.nih.gov]
- 7. researchgate.net [researchgate.net]
- 8. Effects of Gap 26, a Connexin 43 Inhibitor, on Cirrhotic Cardiomyopathy in Rats - PMC [pmc.ncbi.nlm.nih.gov]

- [9. researchgate.net \[researchgate.net\]](https://www.researchgate.net)
- To cite this document: BenchChem. [Application Notes and Protocols: Effective Inhibition of Connexin 43 Channels with Gap 26]. BenchChem, [2026]. [Online PDF]. Available at: [<https://www.benchchem.com/product/b15602440/docs#application-notes-and-protocols-effective-inhibition-of-connexin-43-channels-with-gap-26>]

Disclaimer & Data Validity:

The information provided in this document is for Research Use Only (RUO) and is strictly not intended for diagnostic or therapeutic procedures. While BenchChem strives to provide accurate protocols, we make no warranties, express or implied, regarding the fitness of this product for every specific experimental setup.

Technical Support: The protocols provided are for reference purposes. Unsure if this reagent suits your experiment?

Need Industrial/Bulk Grade? [Request Custom Synthesis Quote](#)

BenchChem

Our mission is to be the trusted global source of essential and advanced chemicals, empowering scientists and researchers to drive progress in science and industry.

Contact

Address: 3281 E Guasti Rd
Ontario, CA 91761, United States
Phone: (601) 213-4426
Email: info@benchchem.com

[Contact our Ph.D. Support Team for a compatibility check](#)