

Endogenous Expression and Functional Insights of SHLP-6: A Technical Guide

Author: BenchChem Technical Support Team. **Date:** April 2026

Compound of Interest

Compound Name: SHLP-6
Cat. No.: B15598394

[Get Quote](#)

For Researchers, Scientists, and Drug Development Professionals

Introduction

Small Humanin-like Peptide 6 (**SHLP-6**) is a member of a novel class of peptides derived from the mitochondrial genome, specifically from a small open reading frame within the 16S ribosomal RNA. These mitochondrial-derived peptides (MDPs) are emerging as critical signaling molecules in a variety of cellular processes. **SHLP-6**, in particular, has garnered interest for its potent pro-apoptotic and modulatory effects on inflammatory and antioxidant pathways. This technical guide provides a comprehensive overview of the current knowledge on the endogenous expression levels of **SHLP-6** in tissues, detailed experimental protocols for its detection, and an exploration of its known signaling pathways.

Endogenous Expression Levels of SHLP-6

Current research indicates that **SHLP-6** exhibits a distinct tissue-specific expression pattern in mice, with the highest abundance observed in the liver and kidney. Weaker expression has been detected in the heart, brain, spleen, and prostate, while it appears to be absent in the testes and muscle. It is important to note that while the relative expression levels have been described, specific quantitative data (e.g., ng/mg of tissue or fmol/mg of protein) for

endogenous **SHLP-6** in these tissues are not yet readily available in the public domain. The following table summarizes the qualitative expression of **SHLP-6** across various murine tissues.

Tissue	Relative Expression Level
Liver	High
Kidney	High
Heart	Weak
Brain	Weak
Spleen	Weak
Prostate	Weak
Testes	Not Detected
Muscle	Not Detected

Experimental Protocols

The detection and quantification of **SHLP-6** in tissues can be achieved through standard molecular biology techniques. The following sections provide detailed, best-practice methodologies for tissue preparation, Western blotting, and quantitative PCR (qPCR) that can be adapted and optimized for **SHLP-6** analysis.

Tissue Preparation for Protein and RNA Analysis

Proper tissue harvesting and processing are critical for the accurate determination of endogenous **SHLP-6** levels.

Materials:

- Freshly dissected mouse tissues (e.g., liver, kidney)
- Phosphate-buffered saline (PBS), ice-cold
- Liquid nitrogen

- Homogenization buffer (for protein): RIPA buffer (50 mM Tris-HCl pH 7.4, 150 mM NaCl, 1% NP-40, 0.5% sodium deoxycholate, 0.1% SDS) supplemented with protease and phosphatase inhibitor cocktails.
- Homogenization solution (for RNA): TRIzol reagent or similar RNA lysis solution.
- Tissue homogenizer (e.g., Dounce homogenizer, bead mill).
- Microcentrifuge tubes, pre-chilled.
- Centrifuge, refrigerated.

Procedure:

- Immediately following dissection, wash the tissue with ice-cold PBS to remove any contaminating blood.
- For long-term storage, snap-freeze the tissue in liquid nitrogen and store at -80°C. For immediate processing, proceed to the next step.
- For Protein Extraction:
 - Weigh the frozen or fresh tissue.
 - Add 10 volumes of ice-cold homogenization buffer per gram of tissue.
 - Homogenize the tissue on ice until no visible chunks remain.
 - Incubate the homogenate on ice for 30 minutes with occasional vortexing.
 - Centrifuge the homogenate at 14,000 x g for 20 minutes at 4°C.
 - Carefully collect the supernatant containing the total protein lysate.
 - Determine the protein concentration using a standard protein assay (e.g., BCA assay).
 - Store the protein lysate in aliquots at -80°C.
- For RNA Extraction:

- Weigh the frozen or fresh tissue.
- Add 1 mL of TRIzol reagent per 50-100 mg of tissue.
- Homogenize the tissue until fully dissociated.
- Proceed with RNA extraction according to the manufacturer's protocol for the chosen lysis reagent. This typically involves phase separation with chloroform and precipitation with isopropanol.
- Resuspend the RNA pellet in RNase-free water.
- Assess RNA quality and quantity using a spectrophotometer and/or gel electrophoresis.
- Store the RNA at -80°C.

Western Blotting for SHLP-6 Detection

Western blotting allows for the semi-quantitative detection of **SHLP-6** protein in tissue lysates.

Materials:

- Tissue protein lysate
- Laemmli sample buffer (2x)
- SDS-PAGE gels (acrylamide percentage appropriate for a small peptide like **SHLP-6**, e.g., 15-20% or Tricine gels)
- Electrophoresis buffer
- Transfer buffer
- PVDF or nitrocellulose membrane
- Blocking buffer (e.g., 5% non-fat dry milk or 5% BSA in TBST)
- Primary antibody against **SHLP-6** (requires sourcing of a validated antibody)

- HRP-conjugated secondary antibody
- Chemiluminescent substrate
- Imaging system

Procedure:

- Thaw the protein lysate on ice.
- Mix the protein lysate with an equal volume of 2x Laemmli sample buffer.
- Denature the samples by heating at 95-100°C for 5-10 minutes.
- Load 20-40 µg of total protein per lane onto the SDS-PAGE gel, along with a protein ladder.
- Run the gel until adequate separation is achieved.
- Transfer the proteins from the gel to the membrane using a wet or semi-dry transfer system.
- Block the membrane with blocking buffer for 1 hour at room temperature.
- Incubate the membrane with the primary antibody against **SHLP-6** (diluted in blocking buffer) overnight at 4°C with gentle agitation. Note: The optimal antibody concentration must be determined empirically.
- Wash the membrane three times for 10 minutes each with TBST.
- Incubate the membrane with the HRP-conjugated secondary antibody (diluted in blocking buffer) for 1 hour at room temperature.
- Wash the membrane three times for 10 minutes each with TBST.
- Prepare the chemiluminescent substrate according to the manufacturer's instructions and apply it to the membrane.
- Capture the signal using an imaging system.

- For semi-quantitative analysis, perform densitometry on the resulting bands and normalize to a loading control (e.g., GAPDH, β -actin).

Quantitative PCR (qPCR) for SHLP-6 mRNA Expression

qPCR is a sensitive method for quantifying the relative expression levels of **SHLP-6** mRNA in different tissues.

Materials:

- Total RNA from tissues
- Reverse transcription kit
- qPCR master mix (e.g., SYBR Green-based)
- Forward and reverse primers for **SHLP-6** and a reference gene (e.g., GAPDH, ACTB). Note: Validated primer sequences for **SHLP-6** are not readily available and would need to be designed and validated.
- qPCR instrument

Procedure:

- cDNA Synthesis:
 - Treat 1-2 μ g of total RNA with DNase I to remove any contaminating genomic DNA.
 - Synthesize cDNA using a reverse transcription kit according to the manufacturer's protocol.
- qPCR Reaction:
 - Prepare the qPCR reaction mix containing the qPCR master mix, forward and reverse primers (at an optimized concentration, typically 200-500 nM), and diluted cDNA.
 - Set up the qPCR plate with appropriate controls (no-template control, no-reverse-transcriptase control).

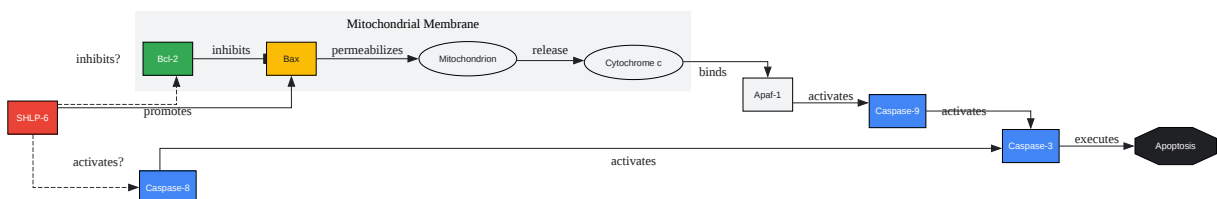
- Run the qPCR reaction using a standard thermal cycling protocol (e.g., initial denaturation at 95°C, followed by 40 cycles of denaturation at 95°C and annealing/extension at 60°C).
- Include a melt curve analysis at the end of the run to verify the specificity of the amplification.
- Data Analysis:
 - Determine the cycle threshold (Ct) values for **SHLP-6** and the reference gene in each sample.
 - Calculate the relative expression of **SHLP-6** using the $\Delta\Delta C_t$ method, normalizing to the reference gene and a control tissue sample.

Signaling Pathways of SHLP-6

SHLP-6 is known to play a significant role in apoptosis and has been implicated in the modulation of antioxidant and inflammatory signaling pathways.

SHLP-6 Induced Apoptosis

SHLP-6 promotes programmed cell death through the intrinsic mitochondrial pathway.^{[1][2]} While the precise molecular interactions are still under investigation, current evidence suggests that **SHLP-6** can interact with key players in the apoptotic cascade.

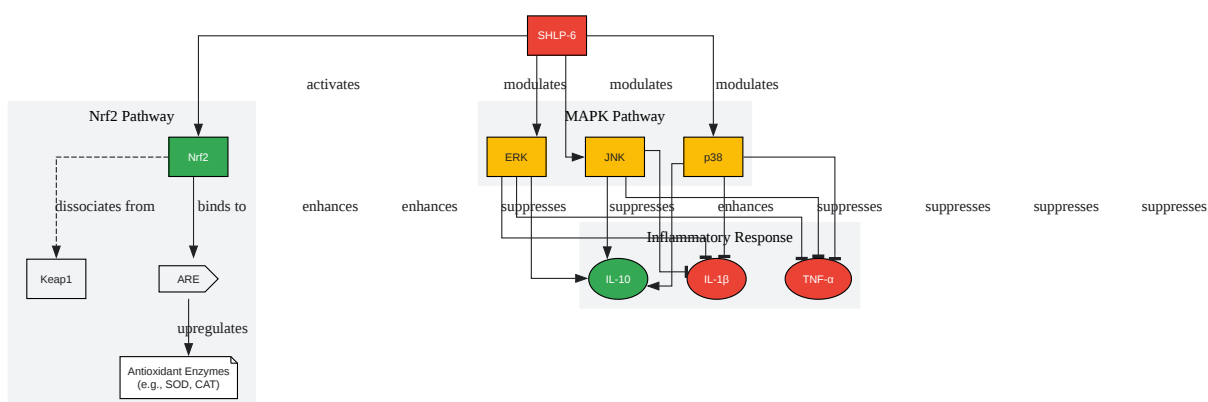


[Click to download full resolution via product page](#)

Caption: **SHLP-6** induced apoptosis pathway.

SHLP-6 Modulation of Nrf2 and MAPK Signaling

SHLP-6 has been shown to influence cellular stress responses by modulating the Nrf2 and MAPK signaling pathways.[3] Activation of Nrf2 by **SHLP-6** can lead to the upregulation of antioxidant enzymes, thereby protecting cells from oxidative damage. Concurrently, its modulation of the MAPK pathways (ERK, JNK, and p38) can influence inflammatory responses.



[Click to download full resolution via product page](#)

Caption: **SHLP-6** modulation of Nrf2 and MAPK pathways.

Conclusion

SHLP-6 is a promising mitochondrial-derived peptide with significant biological activities, particularly in regulating apoptosis and cellular stress responses. While its high endogenous expression in the liver and kidney has been established qualitatively, further research is needed to quantify its precise levels in various tissues and disease states. The experimental protocols provided in this guide offer a foundation for researchers to investigate the expression and function of **SHLP-6**. A deeper understanding of its signaling pathways will be crucial for elucidating its physiological roles and exploring its therapeutic potential in a range of diseases.

Need Custom Synthesis?

BenchChem offers custom synthesis for rare earth carbides and specific isotopic labeling.

Email: info@benchchem.com or [Request Quote Online](#).

References

- [1. PrimerBank: a resource of human and mouse PCR primer pairs for gene expression detection and quantification - PMC \[pmc.ncbi.nlm.nih.gov\]](#)
- [2. mdpi.com \[mdpi.com\]](#)
- [3. Validated qRT-PCR primers for iPSC genes | GeneCopoeia™ \[genecopoeia.com\]](#)
- To cite this document: BenchChem. [Endogenous Expression and Functional Insights of SHLP-6: A Technical Guide]. BenchChem, [2026]. [Online PDF]. Available at: [<https://www.benchchem.com/product/b15598394/docs#endogenous-expression-and-functional-insights-of-shlp-6-a-technical-guide>]

Disclaimer & Data Validity:

The information provided in this document is for Research Use Only (RUO) and is strictly not intended for diagnostic or therapeutic procedures. While BenchChem strives to provide accurate protocols, we make no warranties, express or implied, regarding the fitness of this product for every specific experimental setup.

Technical Support: The protocols provided are for reference purposes. Unsure if this reagent suits your experiment?

Need Industrial/Bulk Grade? [Request Custom Synthesis Quote](#)

BenchChem

Our mission is to be the trusted global source of essential and advanced chemicals, empowering scientists and researchers to drive progress in science and industry.

Contact

Address: 3281 E Guasti Rd
Ontario, CA 91761, United States
Phone: (601) 213-4426
Email: info@benchchem.com

[Contact our Ph.D. Support Team for a compatibility check](#)