

An In-depth Technical Guide to the Cellular Functions of Myristoleoyl-CoA

Author: BenchChem Technical Support Team. **Date:** April 2026

Compound of Interest

Compound Name: Myristoleoyl-CoA

CAS No.: 87935-97-5

Cat. No.: B15598137

[Get Quote](#)

For Researchers, Scientists, and Drug Development Professionals

Abstract

Myristoleoyl-CoA, a 14-carbon monounsaturated fatty acyl-CoA, and its saturated counterpart, Myristoyl-CoA, are pivotal molecules in a multitude of cellular processes. This technical guide provides a comprehensive overview of their synthesis, metabolism, and diverse functions, with a particular focus on their roles in protein modification, signal transduction, and metabolic pathways. Detailed experimental protocols for the quantification and functional analysis of these molecules are provided, alongside quantitative data and visual representations of key pathways to serve as a valuable resource for researchers in the fields of biochemistry, cell biology, and pharmacology.

Introduction

Myristoyl-CoA (C14:0-CoA) is a saturated fatty acyl-CoA that serves as a central intermediate in cellular metabolism.[1] It is primarily known as the substrate for N-myristoylation, a critical lipid modification of a wide range of proteins that influences their localization, stability, and function.[2][3] Furthermore, Myristoyl-CoA is a key player in fatty acid metabolism, including

beta-oxidation for energy production and as a building block for the synthesis of more complex lipids.[1][4]

The desaturation of Myristoyl-CoA by the enzyme Stearoyl-CoA desaturase-1 (SCD1), also known as delta-9-desaturase, introduces a double bond, yielding **Myristoleoyl-CoA** (C14:1-CoA).[5] This monounsaturated fatty acyl-CoA also participates in various cellular functions, including incorporation into complex lipids, which can influence the fluidity and properties of cellular membranes.[6][7] The balance between saturated and monounsaturated fatty acyl-CoAs is crucial for maintaining cellular homeostasis, and its dysregulation has been implicated in various diseases, including cancer and metabolic disorders.

This guide will delve into the core cellular functions of **Myristoleoyl-CoA** and its precursor, Myristoyl-CoA, presenting the current understanding of their roles in a technically detailed format.

Biosynthesis and Metabolism of Myristoyl-CoA and Myristoleoyl-CoA

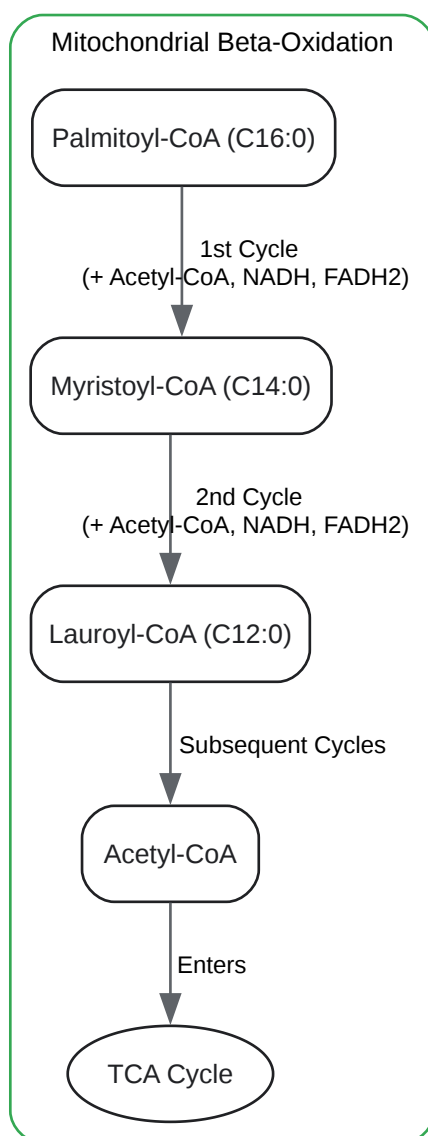
The cellular pools of Myristoyl-CoA are derived from two main sources: de novo synthesis of fatty acids and the activation of dietary myristic acid. Myristoyl-CoA can then be either elongated, catabolized for energy via beta-oxidation, or desaturated to form **Myristoleoyl-CoA**.

Beta-Oxidation of Palmitoyl-CoA

Myristoyl-CoA is a product of the first cycle of beta-oxidation of Palmitoyl-CoA (C16:0-CoA) in the mitochondria. This process involves a series of four enzymatic reactions that shorten the fatty acyl chain by two carbons, generating Acetyl-CoA, NADH, and FADH₂. [8][9][10]

Beta-Oxidation of Myristoyl-CoA

Myristoyl-CoA itself undergoes further beta-oxidation to Lauroyl-CoA (C12:0-CoA) in the subsequent cycle of the beta-oxidation spiral.[5] This pathway is a significant source of cellular energy, particularly in tissues with high energy demands.[8]



[Click to download full resolution via product page](#)

Figure 1: Myristoyl-CoA in the context of mitochondrial beta-oxidation.

Desaturation to Myristoleoyl-CoA

Myristoyl-CoA is the substrate for delta-9-desaturase (Stearoyl-CoA desaturase), an enzyme located in the endoplasmic reticulum. This enzyme introduces a cis-double bond between carbons 9 and 10 of the myristoyl chain, producing **Myristoleoyl-CoA** (cis- Δ^9 -C14:1-CoA).^[5]
^[11]



[Click to download full resolution via product page](#)

Figure 2: Conversion of Myristoyl-CoA to **Myristoleoyl-CoA**.

Core Cellular Functions

Myristoyl-CoA and **Myristoleoyl-CoA** are involved in a diverse array of cellular functions, ranging from structural roles in membranes to dynamic regulation of signaling pathways.

Protein N-Myristoylation

The most well-characterized function of Myristoyl-CoA is its role as a substrate for N-myristoyltransferase (NMT), an enzyme that catalyzes the covalent attachment of a myristoyl group to the N-terminal glycine residue of a variety of cellular and viral proteins.[2][3] This modification, known as N-myristoylation, is typically irreversible and can occur co-translationally or post-translationally.[2]

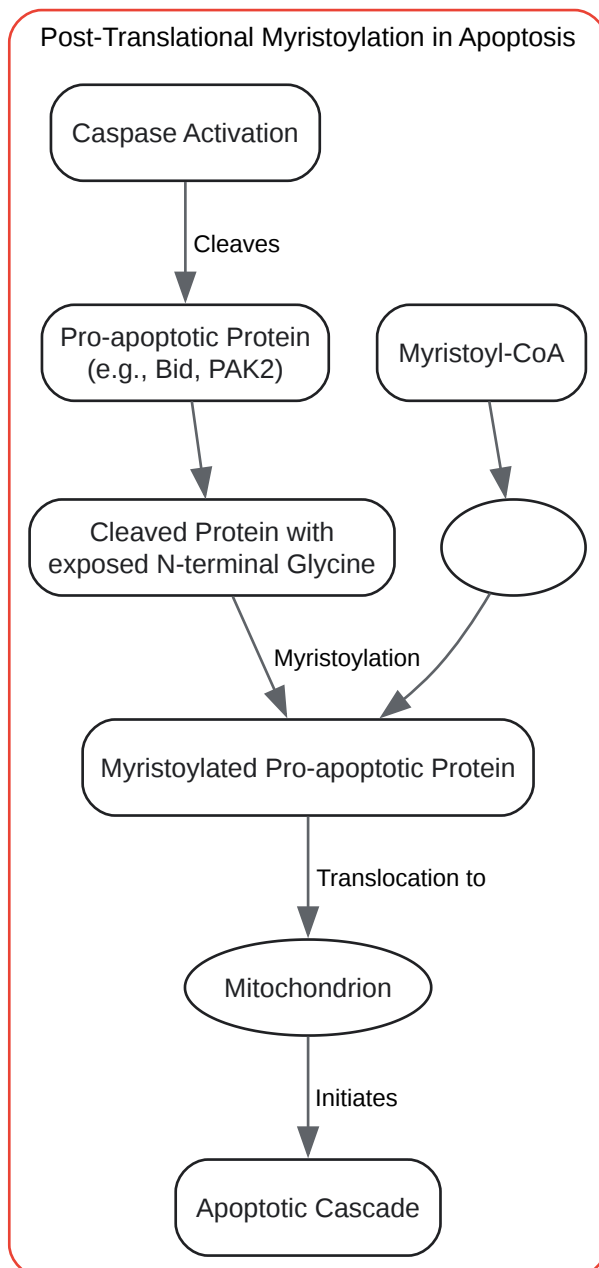
Myristoylation increases the hydrophobicity of the modified protein, facilitating its association with cellular membranes and promoting protein-protein interactions.[2] This is crucial for the proper localization and function of many signaling proteins.

Signal Transduction

Myristoylation plays a critical role in several signal transduction pathways:

- **Src Family Kinases:** The myristoylation of Src family kinases is essential for their membrane localization and kinase activity.[12][13] Non-myristoylated forms of Src are cytosolic and exhibit reduced transforming potential.[12] Myristoylation has a positive regulatory effect on c-Src kinase activity.[12]
- **G-Protein Signaling:** The α -subunits of heterotrimeric G proteins are often myristoylated, which aids in their anchoring to the plasma membrane and is important for their interaction with G protein-coupled receptors (GPCRs).[14] Myristoylation can also allosterically affect the conformation and dynamics of the $G\alpha$ subunit.[15]

- Apoptosis: Myristoylation is involved in the regulation of apoptosis.[2][16] Following caspase cleavage, certain pro-apoptotic proteins, such as Bid and p21-activated kinase 2 (PAK2), expose an N-terminal glycine and are subsequently myristoylated.[16][17] This post-translational myristoylation targets them to the mitochondria, where they promote the apoptotic cascade.[16]



[Click to download full resolution via product page](#)

Figure 3: Role of myristoylation in the apoptotic signaling pathway.

Membrane Composition and Fluidity

Myristoleoyl-CoA, the product of Myristoyl-CoA desaturation, can be incorporated into phospholipids and other complex lipids. The presence of the cis-double bond in myristoleate introduces a "kink" in the fatty acyl chain, which increases membrane fluidity.[6][18] The regulation of the ratio of saturated to monounsaturated fatty acids is crucial for maintaining optimal membrane fluidity, which is essential for the function of membrane-bound proteins and for cellular processes such as endocytosis and exocytosis.[7]

Quantitative Data

Table 1: Kinetic Parameters of N-Myristoyltransferase (NMT) with Myristoyl-CoA

Parameter	Value	Organism/Enzyme	Reference
Myristoyl-CoA Binding (Fast Phase)	$3.2 \times 10^8 \text{ M}^{-1}\text{s}^{-1}$	Saccharomyces cerevisiae Nmt1p	[4]
Myristoyl-CoA Binding (Slow Phase)	$23 \pm 2 \text{ s}^{-1}$	Saccharomyces cerevisiae Nmt1p	[4]
Chemical Transformation Rate	$13.8 \pm 0.6 \text{ s}^{-1}$	Saccharomyces cerevisiae Nmt1p	[4]
Steady-State Rate	$0.10 \pm 0.01 \text{ s}^{-1}$	Saccharomyces cerevisiae Nmt1p	[4]
Ki for S-(2-oxopentadecyl)-CoA	24 nM	Bovine Brain NMT	[19]

Table 2: Kinetic Parameters of Delta-9-Desaturase with Myristoyl-CoA

Parameter	Value	Organism/Enzyme Source	Reference
Optimal pH	7.4	Hen Liver Microsomes	[5]
Linearity with Substrate	13 - 200 μ M	Hen Liver Microsomes	[5]
Substrate Inhibition	> 266 μ M	Hen Liver Microsomes	[5]

Experimental Protocols

Quantification of Myristoyl-CoA by LC-MS/MS

This protocol provides a general framework for the quantification of Myristoyl-CoA in cellular extracts using Liquid Chromatography-Tandem Mass Spectrometry (LC-MS/MS).

5.1.1. Sample Preparation

- Harvest cells (typically 1-10 million) by scraping or trypsinization and wash with ice-cold PBS.
- Pellet the cells by centrifugation and immediately quench metabolism by adding a cold extraction solvent (e.g., 80:20 methanol:water or 10% trichloroacetic acid).[9]
- Add an internal standard, such as a stable isotope-labeled Myristoyl-CoA or an odd-chain fatty acyl-CoA, to each sample for accurate quantification.
- Lyse the cells by sonication or homogenization on ice.
- Centrifuge the lysate at high speed (e.g., 17,000 x g) at 4°C to pellet proteins and cellular debris.[9]
- Collect the supernatant containing the acyl-CoAs.
- For samples extracted with trichloroacetic acid, a solid-phase extraction (SPE) step may be necessary to remove the acid and other interfering substances.[9]
- Dry the supernatant under a stream of nitrogen or by vacuum centrifugation.

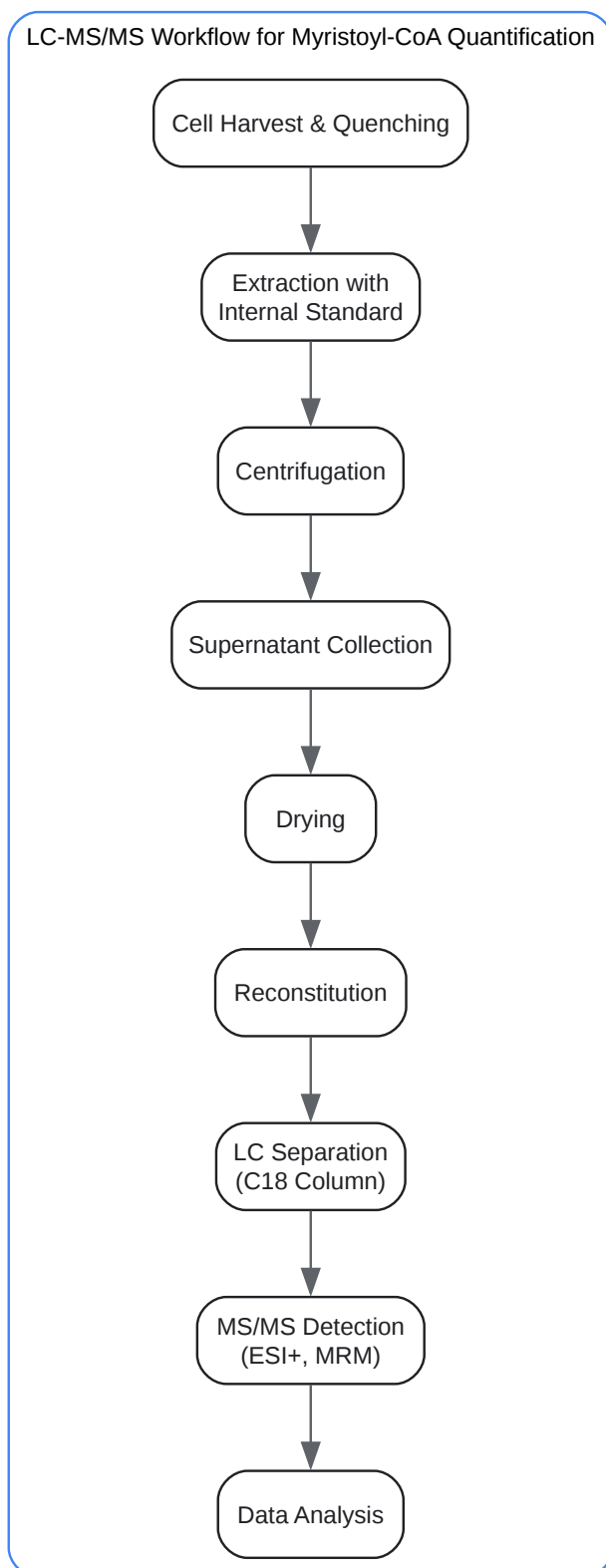
- Reconstitute the dried extract in a suitable solvent for LC-MS/MS analysis (e.g., 50:50 methanol:water).

5.1.2. Liquid Chromatography

- Column: A reverse-phase C18 column is typically used for the separation of acyl-CoAs.
- Mobile Phase A: An aqueous buffer, often containing an ion-pairing agent like ammonium acetate, at a slightly acidic pH.
- Mobile Phase B: An organic solvent, such as acetonitrile or methanol.
- Gradient: A linear gradient from a low to a high percentage of Mobile Phase B is used to elute the acyl-CoAs based on their hydrophobicity.

5.1.3. Mass Spectrometry

- Ionization: Electrospray ionization (ESI) in positive ion mode is commonly used for the detection of acyl-CoAs.
- Detection: Tandem mass spectrometry (MS/MS) is performed using Multiple Reaction Monitoring (MRM) for high selectivity and sensitivity.
- MRM Transitions: The precursor ion (Q1) will be the $[M+H]^+$ of Myristoyl-CoA, and the product ion (Q3) will be a characteristic fragment, often resulting from the neutral loss of the phosphopantetheine moiety.



[Click to download full resolution via product page](#)

Figure 4: Experimental workflow for Myristoyl-CoA quantification by LC-MS/MS.

In Vitro N-Myristoyltransferase (NMT) Activity Assay (Fluorescence-based)

This protocol describes a continuous, fluorescence-based assay for measuring NMT activity by detecting the release of Coenzyme A (CoA).^{[2][3]}

5.2.1. Reagents and Materials

- Purified recombinant NMT enzyme
- Myristoyl-CoA (substrate)
- Peptide substrate with an N-terminal glycine (e.g., a peptide derived from a known myristoylated protein like Src)
- Fluorescent probe that reacts with free thiols, such as 7-diethylamino-3-(4'-maleimidylphenyl)-4-methylcoumarin (CPM)
- Assay buffer (e.g., Tris-HCl or HEPES buffer at a physiological pH, containing EDTA and a non-ionic detergent like Triton X-100)
- 96-well black microplate
- Fluorescence plate reader

5.2.2. Assay Procedure

- Prepare a master mix of the assay buffer containing the CPM fluorescent probe.
- In the wells of the microplate, add the assay buffer master mix.
- Add the NMT enzyme to the appropriate wells.
- Add the peptide substrate to the wells.
- Initiate the reaction by adding Myristoyl-CoA to the wells.

- Immediately place the plate in a fluorescence plate reader pre-set to the appropriate excitation and emission wavelengths for the CPM-CoA adduct.
- Monitor the increase in fluorescence over time. The rate of fluorescence increase is proportional to the NMT activity.
- Include appropriate controls, such as reactions without enzyme, without Myristoyl-CoA, or without the peptide substrate, to determine background fluorescence.

In Vitro Delta-9-Desaturase Activity Assay

This protocol is based on the measurement of the conversion of a radiolabeled fatty acyl-CoA to its desaturated product.

5.3.1. Reagents and Materials

- Microsomal preparation containing delta-9-desaturase (e.g., from liver)
- Radiolabeled Myristoyl-CoA (e.g., [¹⁴C]Myristoyl-CoA)
- NADH or NADPH as a cofactor
- Assay buffer (e.g., phosphate buffer, pH 7.4)
- Bovine serum albumin (BSA)
- Reagents for lipid extraction (e.g., chloroform:methanol)
- Thin-layer chromatography (TLC) plate
- TLC developing solvent
- Phosphorimager or scintillation counter

5.3.2. Assay Procedure

- Prepare a reaction mixture containing the assay buffer, BSA, and NADH or NADPH.
- Add the microsomal preparation to the reaction mixture.

- Pre-incubate the mixture at the optimal temperature for the enzyme (e.g., 37°C).
- Initiate the reaction by adding the radiolabeled Myristoyl-CoA.
- Incubate for a specific time period during which the reaction is linear.
- Stop the reaction by adding a solution to quench the enzymatic activity and facilitate lipid extraction (e.g., a strong acid or base followed by chloroform:methanol).
- Extract the lipids from the reaction mixture.
- Dry the lipid extract and resuspend in a small volume of solvent.
- Spot the lipid extract onto a TLC plate.
- Develop the TLC plate in an appropriate solvent system to separate the saturated and monounsaturated fatty acyl-CoAs or their corresponding fatty acids after hydrolysis.
- Visualize and quantify the radioactive spots corresponding to Myristoyl-CoA and **Myristoleoyl-CoA** (or myristic and myristoleic acid) using a phosphorimager or by scraping the spots and performing scintillation counting.
- Calculate the enzyme activity based on the percentage of conversion of the substrate to the product.

Conclusion

Myristoyl-CoA and its desaturated derivative, **Myristoleoyl-CoA**, are integral players in a wide range of cellular functions. From their fundamental roles in energy metabolism and membrane structure to their intricate involvement in the regulation of signal transduction through protein N-myristoylation, these molecules are at the heart of cellular homeostasis. The detailed understanding of their synthesis, metabolism, and functions, facilitated by the experimental approaches outlined in this guide, is crucial for advancing our knowledge of cellular physiology and for the development of novel therapeutic strategies targeting diseases where the pathways involving these fatty acyl-CoAs are dysregulated. This guide serves as a foundational resource for researchers embarking on the study of these fascinating and functionally diverse molecules.

Need Custom Synthesis?

BenchChem offers custom synthesis for rare earth carbides and specific isotopic labeling.

Email: info@benchchem.com or [Request Quote Online](#).

References

- [1. Showing Compound myristoyl-CoA \(FDB031010\) - FooDB \[foodb.ca\]](#)
- [2. A fluorescence-based assay for N-myristoyltransferase activity - PMC \[pmc.ncbi.nlm.nih.gov\]](#)
- [3. A fluorescence-based assay for N-myristoyltransferase activity - PubMed \[pubmed.ncbi.nlm.nih.gov\]](#)
- [4. CAS 3130-72-1: Myristoyl-CoA | CymitQuimica \[cymitquimica.com\]](#)
- [5. Desaturation of myristoyl-CoA to myristoleoyl-CoA by hen liver microsomal delta\(9\)-desaturase - PubMed \[pubmed.ncbi.nlm.nih.gov\]](#)
- [6. Membrane fluidity - Wikipedia \[en.wikipedia.org\]](#)
- [7. lipotype.com \[lipotype.com\]](#)
- [8. LC-MS Sample Preparation | Thermo Fisher Scientific - US \[thermofisher.com\]](#)
- [9. biorxiv.org \[biorxiv.org\]](#)
- [10. Kinetic data for modeling the dynamics of the enzymes involved in animal fatty acid synthesis - PMC \[pmc.ncbi.nlm.nih.gov\]](#)
- [11. Stearoyl-CoA 9-desaturase - Wikipedia \[en.wikipedia.org\]](#)
- [12. Myristoylation and Membrane Binding Regulate c-Src Stability and Kinase Activity - PMC \[pmc.ncbi.nlm.nih.gov\]](#)
- [13. aacrjournals.org \[aacrjournals.org\]](#)
- [14. Receptor-mediated changes at the myristoylated amino terminus of Gail proteins - PMC \[pmc.ncbi.nlm.nih.gov\]](#)
- [15. Myristoylation exerts direct and allosteric effects on Gα conformation and dynamics in solution - PMC \[pmc.ncbi.nlm.nih.gov\]](#)
- [16. Quantitation of fatty acyl-coenzyme As in mammalian cells by liquid chromatography-electrospray ionization tandem mass spectrometry - PMC \[pmc.ncbi.nlm.nih.gov\]](#)

- 17. Posttranslational myristoylation of caspase-activated p21-activated protein kinase 2 (PAK2) potentiates late apoptotic events - PMC [[pmc.ncbi.nlm.nih.gov](https://pubmed.ncbi.nlm.nih.gov/)]
- 18. [mdpi.com](https://www.mdpi.com/) [[mdpi.com](https://www.mdpi.com/)]
- 19. Caspase-mediated programmed cell death pathways as potential therapeutic targets in cancer - PMC [[pmc.ncbi.nlm.nih.gov](https://pubmed.ncbi.nlm.nih.gov/)]
- To cite this document: BenchChem. [An In-depth Technical Guide to the Cellular Functions of Myristoleoyl-CoA]. BenchChem, [2026]. [Online PDF]. Available at: [<https://www.benchchem.com/product/b15598137/docs#an-in-depth-technical-guide-to-the-cellular-functions-of-myristoleoyl-coa>]

Disclaimer & Data Validity:

The information provided in this document is for Research Use Only (RUO) and is strictly not intended for diagnostic or therapeutic procedures. While BenchChem strives to provide accurate protocols, we make no warranties, express or implied, regarding the fitness of this product for every specific experimental setup.

Technical Support: The protocols provided are for reference purposes. Unsure if this reagent suits your experiment?

Need Industrial/Bulk Grade? [Request Custom Synthesis Quote](#)

BenchChem

Our mission is to be the trusted global source of essential and advanced chemicals, empowering scientists and researchers to drive progress in science and industry.

Contact

Address: 3281 E Guasti Rd
Ontario, CA 91761, United States
Phone: (601) 213-4426
Email: info@benchchem.com

Contact our Ph.D. Support Team for a compatibility check