

Comparative Analysis of Known ALK Kinase Inhibitors

Author: BenchChem Technical Support Team. **Date:** April 2026

Compound of Interest

Compound Name: EML734
Cat. No.: B15584696

[Get Quote](#)

This guide provides a comparative overview of key ALK kinase inhibitors, focusing on their in vitro potency, cellular activity, and their effectiveness against common resistance mutations.

Data Presentation

The following tables summarize the quantitative data for each inhibitor, providing a clear comparison of their biochemical and cellular potencies.

Table 1: Biochemical Potency (IC50) of ALK Inhibitors against Wild-Type and Mutant ALK

Inhibitor	ALK (Wild-Type) IC50 (nM)	ALK L1196M IC50 (nM)	ALK G1269A IC50 (nM)	ALK G1202R IC50 (nM)
Crizotinib	20[1]	-	-	560[2]
Ceritinib	0.15 - 0.2[2][3][4]	Sensitive[5]	Sensitive[5]	309[2]
Alectinib	1.9[2][6][7][8]	2[9]	9[9]	595[2]
Brigatinib	0.6 - 10[10][11][12]	Sensitive	Sensitive	80 - 184[2][13]
Lorlatinib	<0.07 (Ki)[14]	0.7 (Ki)[14]	-	37 - 80[2][15]

Note: IC50 values can vary between different assays and experimental conditions. Data presented here is a representation from multiple sources.

Table 2: Cellular Activity of ALK Inhibitors in ALK-Dependent Cell Lines

Inhibitor	Cell Line	Cellular IC50 (nM)
Crizotinib	H3122 (EML4-ALK)	~150[16]
Ceritinib	Karpas-299 (NPM-ALK)	22.8[3]
H2228 (EML4-ALK)		~25[16]
Alectinib	NCI-H2228 (EML4-ALK)	3[8]
Brigatinib	H3122 (EML4-ALK)	10[11][12]
Lorlatinib	Ba/F3 (EML4-ALK)	0.2 - 77 (across various mutants)[14]

Experimental Protocols

Detailed methodologies for the key experiments cited in this guide are provided below. These protocols are intended to provide a general framework; specific details may need to be optimized for individual laboratory conditions.

In Vitro Kinase Inhibition Assay (Biochemical IC50 Determination)

This assay measures the ability of a compound to inhibit the enzymatic activity of a purified kinase.

Protocol:

- Reagents and Materials:
 - Recombinant ALK kinase domain.
 - Kinase buffer (e.g., 50 mM HEPES pH 7.5, 10 mM MgCl₂, 1 mM EGTA, 0.01% Brij-35).
 - ATP (at a concentration near the K_m for ALK).
 - Substrate peptide (e.g., IGF1Rtide).
 - Test inhibitors (serial dilutions).
 - ADP-Glo™ Kinase Assay kit or similar.
 - 384-well plates.
 - Luminometer.
- Procedure: a. Prepare serial dilutions of the test inhibitors in the kinase buffer. b. In a 384-well plate, add the inhibitor dilutions or a vehicle control. c. Add the recombinant ALK kinase domain to each well. d. Initiate the kinase reaction by adding a mixture of ATP and the substrate peptide. e. Incubate the plate at room temperature for a specified time (e.g., 60 minutes). f. Stop the reaction and measure the amount of ADP produced using the ADP-Glo™ Kinase Assay kit, following the manufacturer's instructions. g. Measure the luminescence using a plate reader. h. Calculate the percentage of kinase inhibition relative to the vehicle control and determine the IC₅₀ value by fitting the data to a dose-response curve.[17]

Cell Viability Assay (Cellular IC50 Determination)

This assay determines the concentration of an inhibitor that reduces the viability of a cell population by 50%. The MTT assay is a common method.

Protocol:

- Reagents and Materials:
 - ALK-dependent cancer cell line (e.g., H3122, NCI-H2228).
 - Cell culture medium and supplements.
 - 96-well cell culture plates.
 - Test inhibitors (serial dilutions).
 - MTT (3-(4,5-dimethylthiazol-2-yl)-2,5-diphenyltetrazolium bromide) solution (5 mg/mL in PBS).
 - Solubilization solution (e.g., DMSO or a solution of SDS in HCl).[18]
 - Microplate reader.
- Procedure: a. Seed the cells in a 96-well plate at a predetermined density and allow them to adhere overnight. b. Treat the cells with serial dilutions of the test inhibitors or a vehicle control and incubate for a specified period (e.g., 72 hours). c. Add MTT solution to each well and incubate for 2-4 hours at 37°C, allowing viable cells to reduce the MTT to formazan crystals.[17] d. Add the solubilization solution to each well to dissolve the formazan crystals. e. Measure the absorbance at 570 nm using a microplate reader. f. Calculate the percentage of cell viability relative to the vehicle control and determine the IC50 value.[17]

Western Blot Analysis for ALK Signaling Pathway Modulation

This technique is used to detect changes in the phosphorylation status of ALK and its downstream signaling proteins following inhibitor treatment.

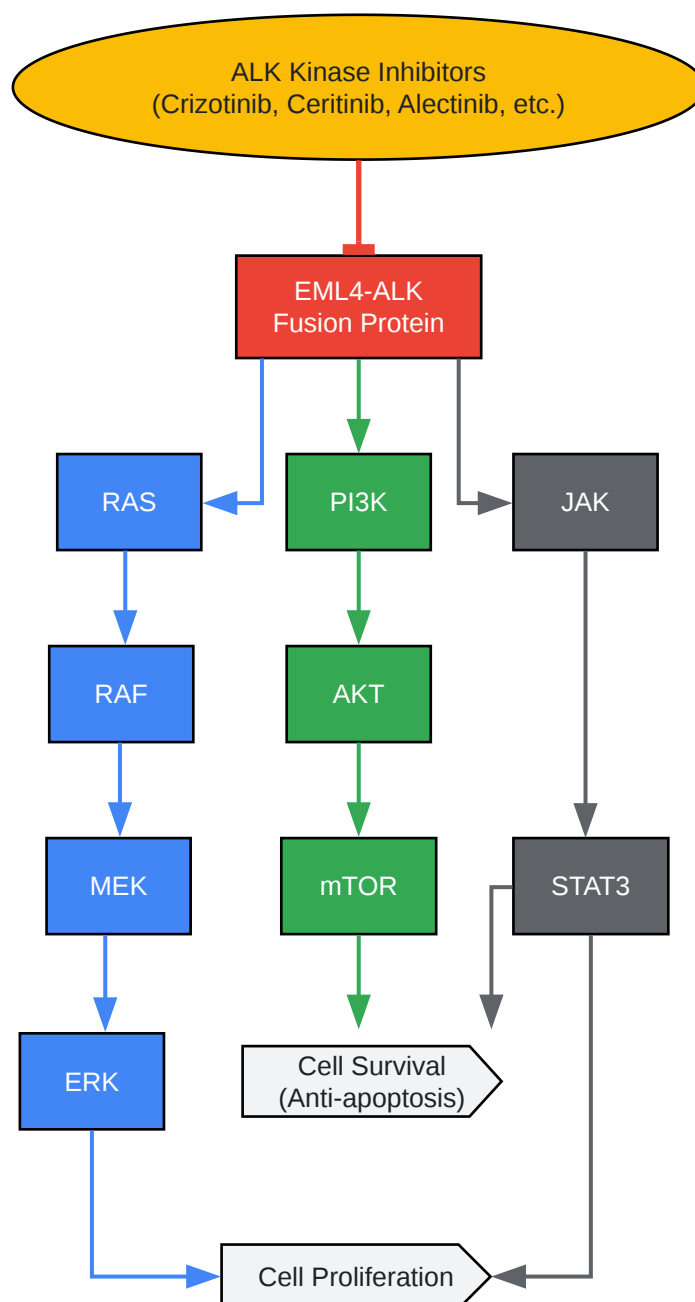
Protocol:

- Reagents and Materials:
 - ALK-dependent cancer cell line.
 - Test inhibitors.
 - Lysis buffer (e.g., RIPA buffer) with protease and phosphatase inhibitors.
 - Protein assay kit (e.g., BCA assay).
 - SDS-PAGE gels and running buffer.
 - PVDF or nitrocellulose membranes.
 - Transfer buffer.
 - Blocking buffer (e.g., 5% non-fat milk or BSA in TBST).
 - Primary antibodies (e.g., anti-phospho-ALK, anti-total-ALK, anti-phospho-AKT, anti-total-AKT, anti-phospho-ERK, anti-total-ERK).
 - HRP-conjugated secondary antibodies.
 - Chemiluminescent substrate (ECL).
 - Imaging system.
- Procedure:
 - a. Treat cells with the test inhibitor at various concentrations for a specified time.
 - b. Lyse the cells, and determine the protein concentration of the lysates.[\[19\]](#)
 - c. Separate equal amounts of protein by SDS-PAGE and transfer them to a membrane.[\[19\]](#)
 - d. Block the membrane to prevent non-specific antibody binding.
 - e. Incubate the membrane with a primary antibody overnight at 4°C.
 - f. Wash the membrane and incubate with an HRP-conjugated secondary antibody for 1 hour at room temperature.
 - g. Wash the membrane again and detect the signal using a chemiluminescent substrate and an imaging system.
 - h. Analyze the band intensities to determine the effect of the inhibitor on protein phosphorylation.

Mandatory Visualizations

Signaling Pathway Diagram

The following diagram illustrates the EML4-ALK signaling pathway and the points of inhibition by ALK inhibitors. Constitutive activation of the EML4-ALK fusion protein leads to the activation of several downstream pathways, including the RAS-RAF-MEK-ERK, PI3K-AKT-mTOR, and JAK-STAT pathways, which promote cell proliferation, survival, and inhibit apoptosis.

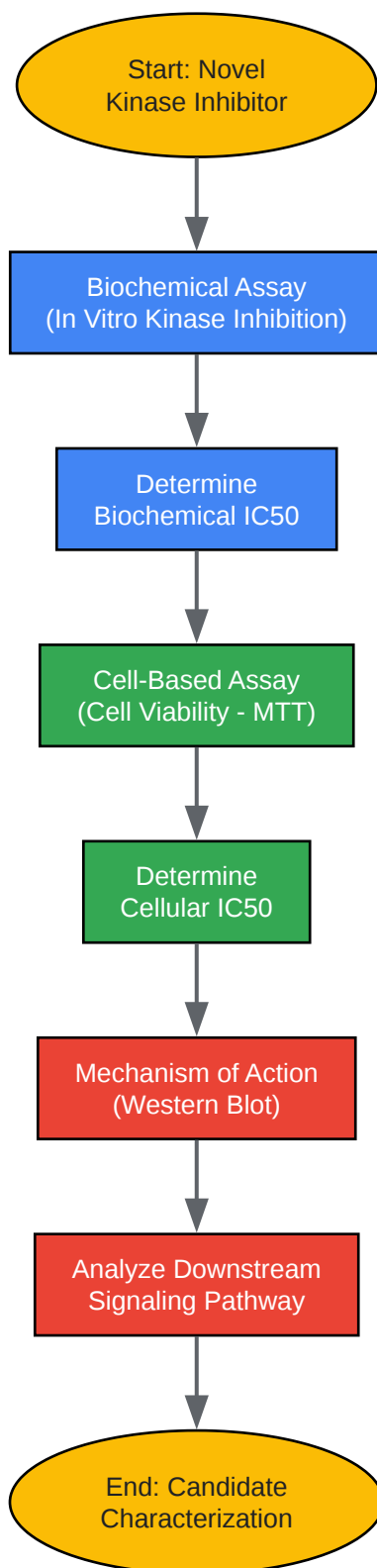


[Click to download full resolution via product page](#)

Caption: EML4-ALK downstream signaling pathways and point of inhibition.

Experimental Workflow Diagram

The following diagram outlines the general workflow for evaluating a novel kinase inhibitor.



[Click to download full resolution via product page](#)

Caption: General workflow for kinase inhibitor evaluation.

Need Custom Synthesis?

BenchChem offers custom synthesis for rare earth carbides and specific isotopic labeling.

Email: info@benchchem.com or [Request Quote Online](#).

References

- 1. 細胞生存率 | Thermo Fisher Scientific - JP [thermofisher.com]
- 2. EML4-ALK: Update on ALK Inhibitors - PMC [[pmc.ncbi.nlm.nih.gov](https://pubmed.ncbi.nlm.nih.gov/)]
- 3. Assaying Protein Kinase Activity with Radiolabeled ATP - PMC [[pmc.ncbi.nlm.nih.gov](https://pubmed.ncbi.nlm.nih.gov/)]
- 4. EML4-ALK Kinase Enzyme System [worldwide.promega.com]
- 5. [youtube.com](https://www.youtube.com/) [[youtube.com](https://www.youtube.com/)]
- 6. Cell Viability Assays - Assay Guidance Manual - NCBI Bookshelf [[ncbi.nlm.nih.gov](https://pubmed.ncbi.nlm.nih.gov/)]
- 7. Cell Viability Assays | Cytotoxicity Assays | Cell Proliferation Assay | Cell Death Detection [[promega.com](https://www.promega.com/)]
- 8. Cell Viability and Cytotoxicity Assay [[cellbiolabs.com](https://www.cellbiolabs.com/)]
- 9. New pan-ALK inhibitor-resistant EML4::ALK mutations detected by liquid biopsy in lung cancer patients - PMC [[pmc.ncbi.nlm.nih.gov](https://pubmed.ncbi.nlm.nih.gov/)]
- 10. Pharmacological inhibitors of anaplastic lymphoma kinase (ALK) induce immunogenic cell death through on-target effects - PMC [[pmc.ncbi.nlm.nih.gov](https://pubmed.ncbi.nlm.nih.gov/)]
- 11. [biocompare.com](https://www.biocompare.com/) [[biocompare.com](https://www.biocompare.com/)]
- 12. [researchgate.net](https://www.researchgate.net/) [[researchgate.net](https://www.researchgate.net/)]
- 13. [onclive.com](https://www.onclive.com/) [[onclive.com](https://www.onclive.com/)]
- 14. [researchgate.net](https://www.researchgate.net/) [[researchgate.net](https://www.researchgate.net/)]
- 15. Quantitative Western Blot Analysis | Thermo Fisher Scientific - US [thermofisher.com]
- 16. In vitro kinase assay [[protocols.io](https://www.protocols.io/)]
- 17. documents.thermofisher.com [documents.thermofisher.com]
- 18. Western Blot - StatPearls - NCBI Bookshelf [[ncbi.nlm.nih.gov](https://pubmed.ncbi.nlm.nih.gov/)]
- 19. genes2cognition.org [genes2cognition.org]

- To cite this document: BenchChem. [Comparative Analysis of Known ALK Kinase Inhibitors]. BenchChem, [2026]. [Online PDF]. Available at: [<https://www.benchchem.com/product/b15584696/docs#comparative-analysis-of-known-alk-kinase-inhibitors>]

Disclaimer & Data Validity:

The information provided in this document is for Research Use Only (RUO) and is strictly not intended for diagnostic or therapeutic procedures. While BenchChem strives to provide accurate protocols, we make no warranties, express or implied, regarding the fitness of this product for every specific experimental setup.

Technical Support: The protocols provided are for reference purposes. Unsure if this reagent suits your experiment?

Need Industrial/Bulk Grade? [Request Custom Synthesis Quote](#)

BenchChem

Our mission is to be the trusted global source of essential and advanced chemicals, empowering scientists and researchers to drive progress in science and industry.

Contact

Address: 3281 E Guasti Rd
Ontario, CA 91761, United States
Phone: (601) 213-4426
Email: info@benchchem.com

[Contact our Ph.D. Support Team for a compatibility check](#)