

T-448 (EOS-448) Dose-Response Curve Optimization: A Technical Support Guide

Author: BenchChem Technical Support Team. **Date:** April 2026

Compound of Interest

Compound Name: T-448
Cat. No.: B15583452

[Get Quote](#)

This technical support center provides troubleshooting guidance and frequently asked questions (FAQs) for researchers, scientists, and drug development professionals working with the anti-TIGIT monoclonal antibody **T-448** (also known as EOS-448 or belrestotug). The information provided is intended to assist in the optimization of dose-response experiments and the interpretation of results.

Frequently Asked Questions (FAQs)

Q1: What is the mechanism of action of **T-448** (EOS-448)?

A1: **T-448** is a human IgG1 monoclonal antibody that targets the T-cell immunoreceptor with Ig and ITIM domains (TIGIT), an immune checkpoint protein expressed on T cells and Natural Killer (NK) cells.^{[1][2]} Its therapeutic effect is believed to be multifactorial:

- Blockade of TIGIT signaling: **T-448** binds to TIGIT with high affinity, preventing its interaction with its ligands, primarily CD155 (PVR). This blockade inhibits the downstream inhibitory signals that suppress T-cell and NK-cell activation.
- Fc-gamma receptor (FcγR) engagement: As an IgG1 isotype, **T-448**'s Fc region can engage Fcγ receptors on other immune cells, such as antigen-presenting cells (APCs) and NK cells.

This engagement can lead to:

- Depletion of TIGIT-high cells: This includes suppressive regulatory T cells (Tregs) and exhausted T cells, thereby reducing immunosuppression in the tumor microenvironment. [\[2\]](#)[\[3\]](#)[\[4\]](#)
- Activation of APCs and NK cells: This can enhance the anti-tumor immune response.

Q2: What are the expected outcomes of a successful **T-448** dose-response experiment?

A2: A well-designed dose-response experiment with **T-448** should demonstrate a dose-dependent increase in T-cell activation and a decrease in immunosuppressive cell populations.

Key readouts to consider are:

- Increased proliferation of effector T cells (e.g., measured by Ki67 expression).[\[1\]](#)
- Enhanced cytokine production by effector T cells (e.g., IFN- γ , TNF- α).
- Decreased population of regulatory T cells (Tregs).[\[3\]](#)[\[4\]](#)
- Increased activation of NK cells.

Q3: I am not observing a clear dose-response effect. What are some common troubleshooting steps?

A3: See the "Troubleshooting Guide" section below for a detailed breakdown of potential issues and solutions. Common areas to investigate include cell health and density, reagent quality, assay protocol, and data analysis.

Q4: What are typical starting concentrations for in vitro experiments with **T-448**?

A4: **T-448** has been reported to have picomolar activity for preventing ligand binding.[\[1\]](#) For in vitro functional assays, a broad dose range is recommended for initial characterization, typically spanning from low picomolar to high nanomolar concentrations. The optimal concentration will depend on the specific cell type and assay endpoint.

Q5: How can I assess target engagement of **T-448** in my experiments?

A5: Target engagement can be assessed by measuring the occupancy of TIGIT on the surface of target cells. This is typically done using flow cytometry with a fluorescently labeled anti-**T-448** antibody or a competing anti-TIGIT antibody that binds to a different epitope. In clinical studies, high target engagement has been observed at all tested doses.[5]

Data Presentation

The following tables summarize hypothetical, yet representative, quantitative data for **T-448** based on trends reported in preclinical and clinical studies. Exact values from specific studies are often proprietary.

Table 1: In Vitro Functional Activity of **T-448**

Assay Type	Cell Line/System	Parameter	T-448 Value
TIGIT Binding Affinity	Recombinant Human TIGIT	K _D	~0.64 nM[6]
T-Cell Activation	T-cell/APC co-culture	EC ₅₀ (IFN-γ release)	5 - 20 ng/mL
Treg Depletion	PBMC culture	IC ₅₀ (Treg frequency)	10 - 50 ng/mL
NK Cell Activation	NK cell/target cell co-culture	EC ₅₀ (CD107a expression)	2 - 15 ng/mL

Table 2: Phase 1 Clinical Trial Dose Escalation and Pharmacodynamic Response

Dose Level (Monotherapy)	Route	Dosing Schedule	Observed Treg Depletion (Peripheral Blood)	Notes
20 mg	IV	Every 2 Weeks (Q2W)	Significant depletion observed	Depletion was noted even at the lowest dose.[2] [7]
70 mg	IV	Q2W	Sustained depletion	
200 mg	IV	Q2W	Robust depletion	
700 mg	IV	Q2W	Maintained depletion	[5]
1400 mg	IV	Every 4 Weeks (Q4W)	Prolonged depletion	[5]

Experimental Protocols

Key Experiment 1: In Vitro Treg Suppression Assay

Objective: To determine the dose-dependent effect of **T-448** on the suppressive function of regulatory T cells.

Methodology:

- Cell Isolation: Isolate CD4+CD25+ Tregs and CD4+CD25- responder T cells (Tresp) from human peripheral blood mononuclear cells (PBMCs) using magnetic-activated cell sorting (MACS).
- Cell Labeling: Label the Tresp cells with a proliferation dye such as carboxyfluorescein succinimidyl ester (CFSE) or CellTrace™ Violet.
- Co-culture Setup: Co-culture the labeled Tresp cells with Tregs at various ratios (e.g., 1:1, 1:2, 1:4 Treg:Tresp).

- **T-448 Treatment:** Add a serial dilution of **T-448** or an isotype control antibody to the co-cultures.
- **T-Cell Stimulation:** Stimulate the co-cultures with anti-CD3/CD28 beads or antibodies.
- **Incubation:** Incubate the cells for 3-5 days.
- **Flow Cytometry Analysis:** Harvest the cells and analyze the proliferation of the Tresp cells by measuring the dilution of the proliferation dye using flow cytometry. A reduction in Tresp proliferation in the presence of Tregs indicates suppression. The reversal of this suppression by **T-448** demonstrates its activity.

Key Experiment 2: Cytokine Release Assay

Objective: To measure the dose-dependent effect of **T-448** on T-cell cytokine production.

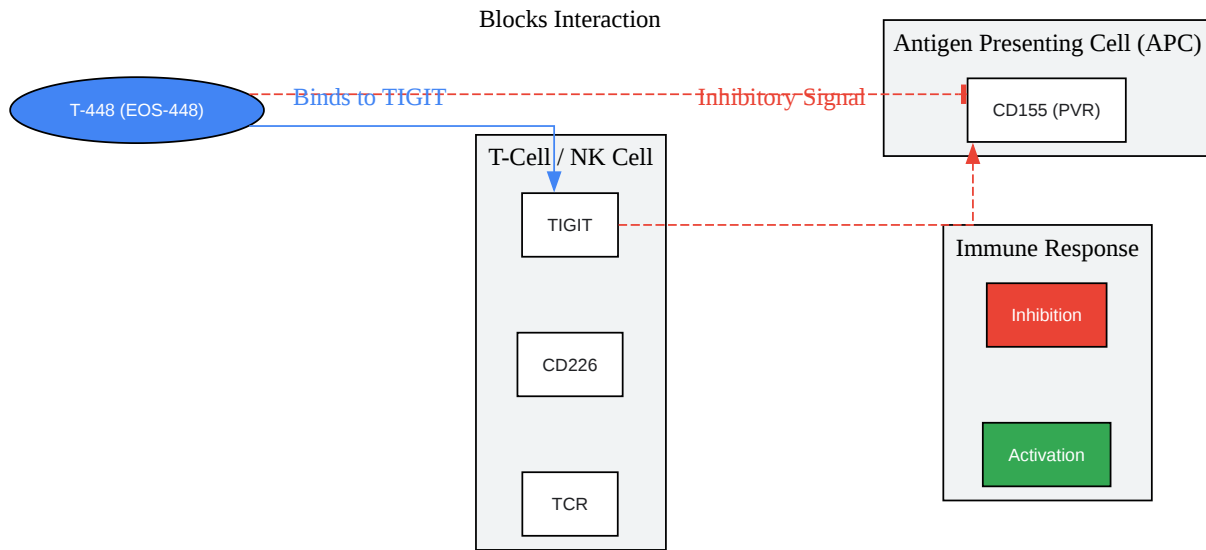
Methodology:

- **Cell Culture:** Culture human PBMCs or isolated T cells with or without antigen-presenting cells.
- **T-448 Treatment:** Add a serial dilution of **T-448** or an isotype control antibody to the cell cultures.
- **Stimulation:** Stimulate the cells with a relevant antigen, superantigen (e.g., SEB), or anti-CD3/CD28 antibodies.
- **Incubation:** Incubate the cells for 24-72 hours.
- **Supernatant Collection:** Collect the cell culture supernatants.
- **Cytokine Quantification:** Measure the concentration of cytokines (e.g., IFN- γ , TNF- α , IL-2) in the supernatants using an enzyme-linked immunosorbent assay (ELISA) or a multiplex bead-based assay (e.g., Luminex).

Troubleshooting Guide

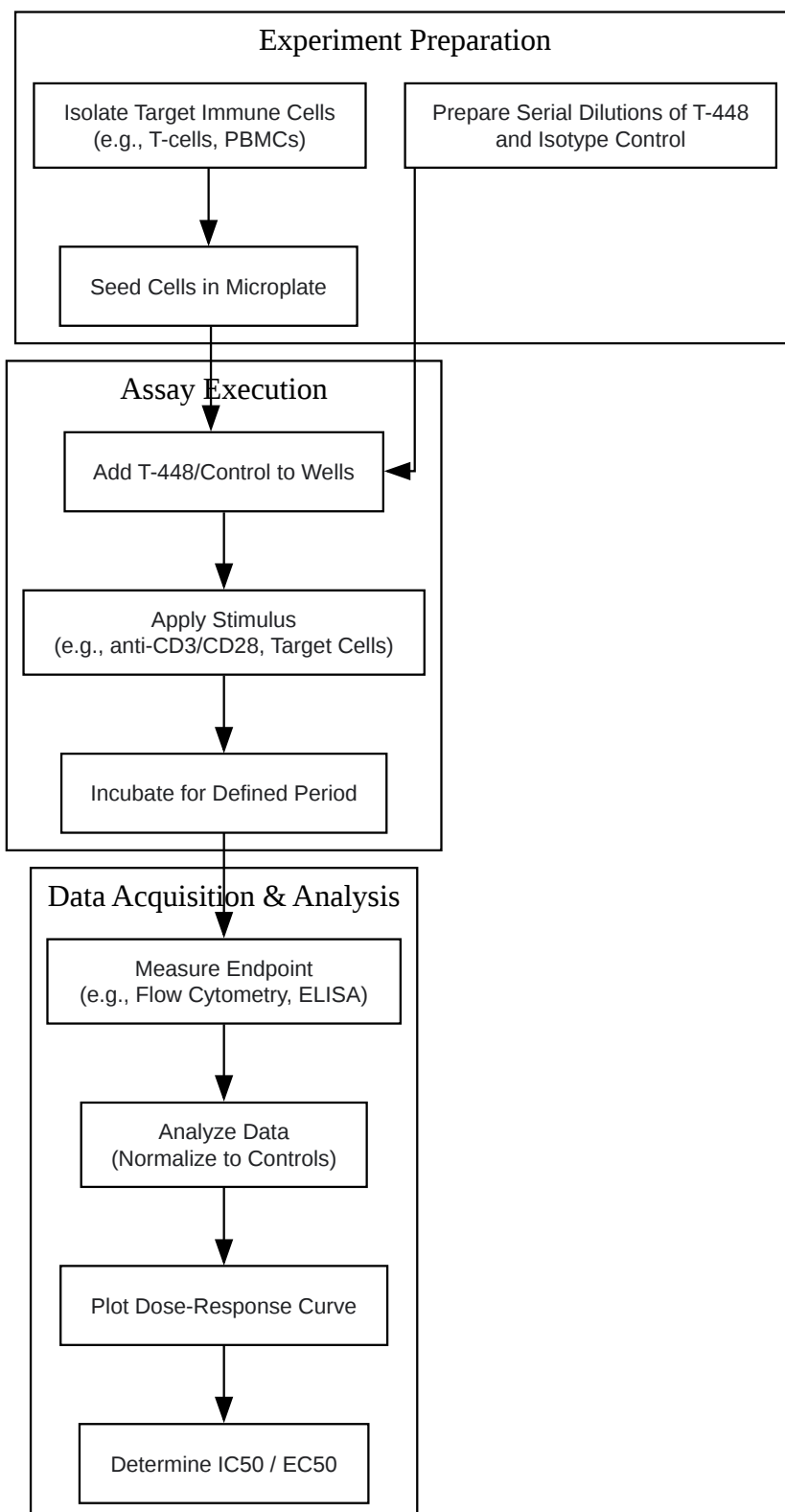
Issue	Potential Cause(s)	Recommended Solution(s)
High variability between replicates	<ul style="list-style-type: none"> - Inconsistent cell seeding density- Pipetting errors- Improper mixing of reagents 	<ul style="list-style-type: none"> - Use a cell counter for accurate cell seeding.- Calibrate pipettes regularly and use proper pipetting techniques.- Ensure thorough but gentle mixing of all reagents and cell suspensions.
No or weak dose-response	<ul style="list-style-type: none"> - Sub-optimal assay conditions (e.g., incubation time, stimulation strength)- Low TIGIT expression on target cells- Inactive T-448 antibody 	<ul style="list-style-type: none"> - Optimize assay parameters such as incubation time and stimulant concentration.- Confirm TIGIT expression on your target cell population by flow cytometry.- Verify the activity of the T-448 antibody using a positive control cell line or a binding assay.
Atypical or non-sigmoidal dose-response curve	<ul style="list-style-type: none"> - Cytotoxicity at high concentrations- Off-target effects- Issues with data normalization 	<ul style="list-style-type: none"> - Assess cell viability at each dose using a viability dye (e.g., trypan blue, PI).- Consider the possibility of off-target effects and investigate with appropriate controls.- Review your data analysis workflow, including background subtraction and normalization to controls.
High background signal	<ul style="list-style-type: none"> - Non-specific antibody binding- Autofluorescence of cells or media- Contamination 	<ul style="list-style-type: none"> - Include an isotype control to assess non-specific binding.- Use phenol red-free media and consider using a viability dye to exclude dead cells, which can be autofluorescent.- Regularly test for mycoplasma contamination.

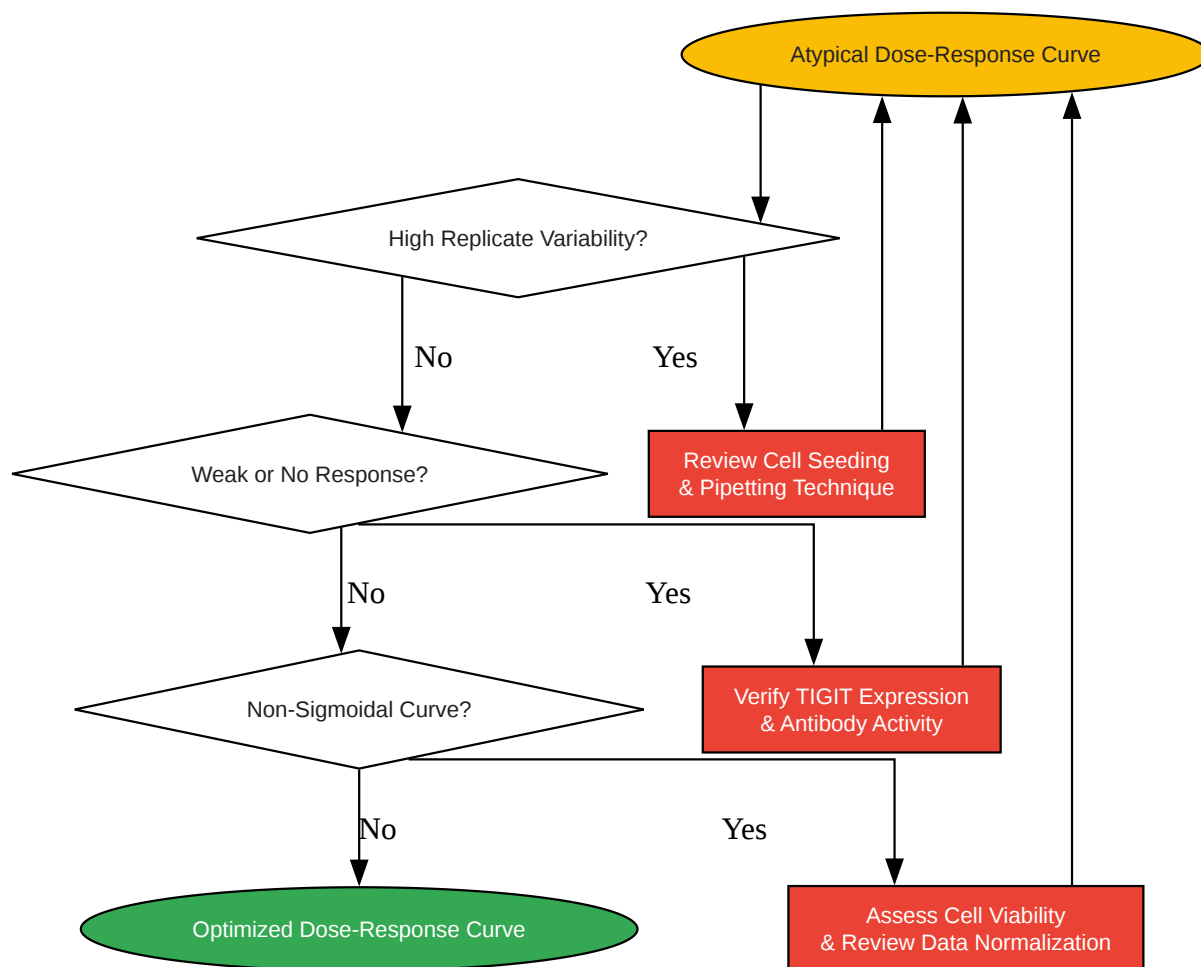
Visualizations



[Click to download full resolution via product page](#)

Caption: **T-448** (EOS-448) mechanism of action.





[Click to download full resolution via product page](#)

Need Custom Synthesis?

BenchChem offers custom synthesis for rare earth carbides and specific isotopic labeling.

Email: info@benchchem.com or [Request Quote Online](#).

References

- [1. researchgate.net \[researchgate.net\]](https://www.researchgate.net)
- [2. gsk.com \[gsk.com\]](https://www.gsk.com)

- [3. hbmpartners.com \[hbmpartners.com\]](https://hbmpartners.com)
- [4. iTeos Announces New Data for its Anti-TIGIT Antibody, EOS-448, at the American Society of Hematology Annual Meeting and TIGIT Therapies Digital Summit 2021 - BioSpace \[biospace.com\]](#)
- [5. | BioWorld \[bioworld.com\]](#)
- [6. medchemexpress.com \[medchemexpress.com\]](https://medchemexpress.com)
- [7. researchgate.net \[researchgate.net\]](https://researchgate.net)
- To cite this document: BenchChem. [T-448 (EOS-448) Dose-Response Curve Optimization: A Technical Support Guide]. BenchChem, [2026]. [Online PDF]. Available at: [\[https://www.benchchem.com/product/b15583452/docs#t-448-eos-448-dose-response-curve-optimization-a-technical-support-guide\]](https://www.benchchem.com/product/b15583452/docs#t-448-eos-448-dose-response-curve-optimization-a-technical-support-guide)

Disclaimer & Data Validity:

The information provided in this document is for Research Use Only (RUO) and is strictly not intended for diagnostic or therapeutic procedures. While BenchChem strives to provide accurate protocols, we make no warranties, express or implied, regarding the fitness of this product for every specific experimental setup.

Technical Support: The protocols provided are for reference purposes. Unsure if this reagent suits your experiment?

Need Industrial/Bulk Grade? [Request Custom Synthesis Quote](#)

BenchChem

Our mission is to be the trusted global source of essential and advanced chemicals, empowering scientists and researchers to drive progress in science and industry.

Contact

Address: 3281 E Guasti Rd
Ontario, CA 91761, United States
Phone: (601) 213-4426
Email: info@benchchem.com

Contact our Ph.D. Support Team for a compatibility check