

T-448: A Technical Guide to a Novel LSD1 Inhibitor

Author: BenchChem Technical Support Team. **Date:** April 2026

Compound of Interest

Compound Name: T-448
Cat. No.: B15583452

[Get Quote](#)

For Researchers, Scientists, and Drug Development Professionals

Introduction

T-448 is a potent, orally active, and irreversible small molecule inhibitor of Lysine-Specific Demethylase 1 (LSD1), an enzyme critically involved in epigenetic regulation.[1][2] This technical guide provides a comprehensive overview of **T-448**, including its chemical properties, mechanism of action, relevant signaling pathways, and detailed experimental protocols for its characterization. The information presented herein is intended to support researchers and drug development professionals in their exploration of **T-448** as a potential therapeutic agent, particularly in the context of central nervous system (CNS) disorders.

Chemical Properties and Identification

T-448 is chemically identified as 3-((1S,2R)-2-(cyclobutylamino)cyclopropyl)-N-(5-methyl-1,3,4-thiadiazol-2-yl)benzamide. Its fundamental chemical and physical properties are summarized in the table below for easy reference.

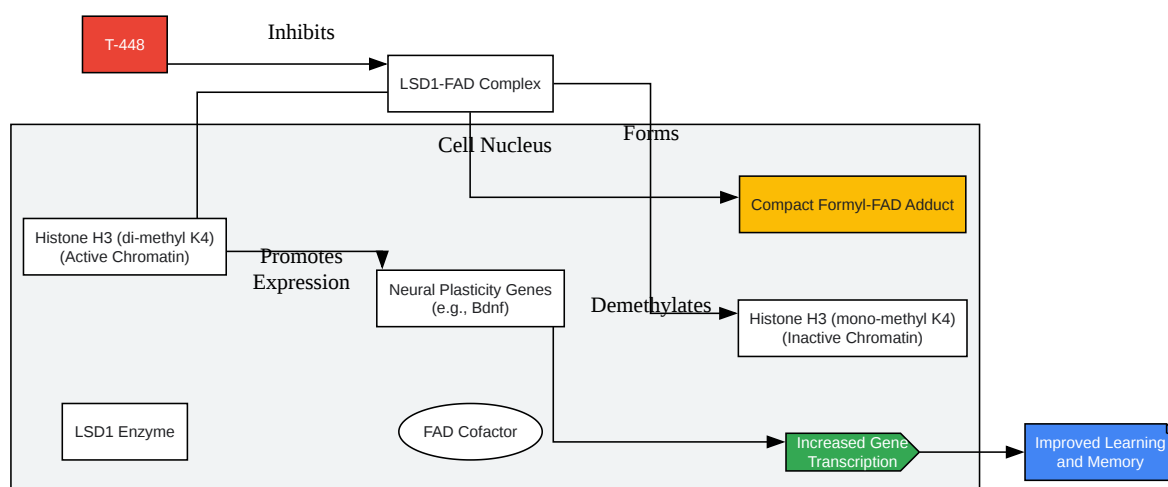
Property	Value	Source
CAS Number	1597426-53-3	Sigma-Aldrich
Molecular Formula	C ₁₇ H ₂₀ N ₄ OS	PubChem
Molecular Weight	328.4 g/mol	PubChem
IUPAC Name	3-[(1S,2R)-2-(cyclobutylamino)cyclopropyl]-N-(5-methyl-1,3,4-thiadiazol-2-yl)benzamide	PubChem
IC ₅₀	22 nM (for LSD1)	MedchemExpress.com
Physical Description	Not explicitly stated, typically a solid	N/A
Solubility	Not explicitly stated, requires empirical determination for specific applications	N/A

Mechanism of Action and Signaling Pathway

T-448 exerts its biological effects through the specific and irreversible inhibition of Lysine-Specific Demethylase 1 (LSD1), a flavin adenine dinucleotide (FAD)-dependent monoamine oxidase homolog. LSD1 functions as a histone demethylase, primarily targeting mono- and dimethylated histone H3 at lysine 4 (H3K4me1/2), which are generally associated with active gene transcription. By inhibiting LSD1, **T-448** prevents the demethylation of H3K4, leading to an overall increase in H3K4 methylation levels.[3][4]

A key feature of **T-448**'s mechanism is the formation of a compact formyl-FAD adduct.[3][4] This distinct chemical modification of the FAD cofactor has minimal impact on the interaction between LSD1 and its binding partner, Growth Factor Independent 1B (GFI1B).[3] The preservation of the LSD1-GFI1B complex is significant because disruption of this complex by other LSD1 inhibitors is associated with hematological toxicities, such as thrombocytopenia. Consequently, **T-448** exhibits a superior hematological safety profile.[3][4]

The primary signaling pathway affected by **T-448** is the histone H3K4 methylation pathway, which plays a crucial role in regulating gene expression. Increased H3K4 methylation at the promoter and enhancer regions of genes can lead to a more open chromatin structure, facilitating the binding of transcription factors and promoting gene expression. In the context of CNS disorders, **T-448** has been shown to enhance the mRNA expression of neural plasticity-related genes, including Brain-Derived Neurotrophic Factor (BDNF), which is critical for learning and memory.



[Click to download full resolution via product page](#)

Caption: Mechanism of action of **T-448** in the cell nucleus.

Experimental Protocols

This section provides detailed methodologies for key experiments relevant to the study of **T-448**.

LSD1 Enzyme Inhibition Assay (Fluorometric)

This protocol is adapted from commercially available kits for measuring LSD1 activity.

Materials:

- Purified recombinant LSD1 enzyme
- **T-448** (or other inhibitors) at various concentrations
- LSD1 substrate (e.g., di-methylated histone H3K4 peptide)
- Assay buffer
- Developer solution
- 96-well black microplate
- Fluorometric microplate reader

Procedure:

- Prepare a dilution series of **T-448** in assay buffer.
- In a 96-well microplate, add assay buffer, purified LSD1 enzyme, and the **T-448** dilution series. Include wells with a known LSD1 inhibitor as a positive control and wells with DMSO as a vehicle control.
- Initiate the reaction by adding the LSD1 substrate to all wells.
- Incubate the plate at 37°C for a specified time (e.g., 60-90 minutes), protected from light.
- Stop the reaction by adding the developer solution.
- Incubate the plate at room temperature for 5-10 minutes to allow for signal development.
- Measure the fluorescence intensity using a microplate reader at the appropriate excitation and emission wavelengths (e.g., ~530 nm excitation and ~590 nm emission).
- Calculate the percent inhibition for each concentration of **T-448** relative to the vehicle control and determine the IC₅₀ value.

Western Blot Analysis of Histone H3K4 Methylation

This protocol outlines the steps for detecting changes in H3K4 methylation levels in cells treated with **T-448**.

Materials:

- Cell culture reagents
- **T-448**
- Lysis buffer (e.g., RIPA buffer with protease and phosphatase inhibitors)
- BCA protein assay kit
- SDS-PAGE gels and running buffer
- Transfer buffer and PVDF or nitrocellulose membrane
- Blocking buffer (e.g., 5% non-fat milk or BSA in TBST)
- Primary antibodies: anti-H3K4me2, anti-H3K4me1, anti-total Histone H3 (as a loading control)
- HRP-conjugated secondary antibody
- Chemiluminescent substrate
- Imaging system

Procedure:

- Culture cells to the desired confluency and treat with various concentrations of **T-448** or vehicle control for a specified duration.
- Harvest the cells and lyse them in lysis buffer.
- Determine the protein concentration of the lysates using a BCA assay.

- Denature equal amounts of protein from each sample by boiling in Laemmli sample buffer.
- Separate the proteins by SDS-PAGE.
- Transfer the separated proteins to a PVDF or nitrocellulose membrane.
- Block the membrane with blocking buffer for 1 hour at room temperature.
- Incubate the membrane with the primary antibody (e.g., anti-H3K4me2) overnight at 4°C with gentle agitation.
- Wash the membrane three times with TBST.
- Incubate the membrane with the HRP-conjugated secondary antibody for 1 hour at room temperature.
- Wash the membrane three times with TBST.
- Apply the chemiluminescent substrate and visualize the protein bands using an imaging system.
- Strip the membrane and re-probe with the anti-total Histone H3 antibody to ensure equal loading.
- Quantify the band intensities to determine the relative change in H3K4 methylation.

Quantitative Real-Time PCR (qRT-PCR) for Neural Plasticity-Related Gene Expression

This protocol describes how to measure changes in the mRNA levels of genes like *Bdnf* in response to **T-448** treatment.

Materials:

- Cell culture or tissue samples treated with **T-448**
- RNA extraction kit

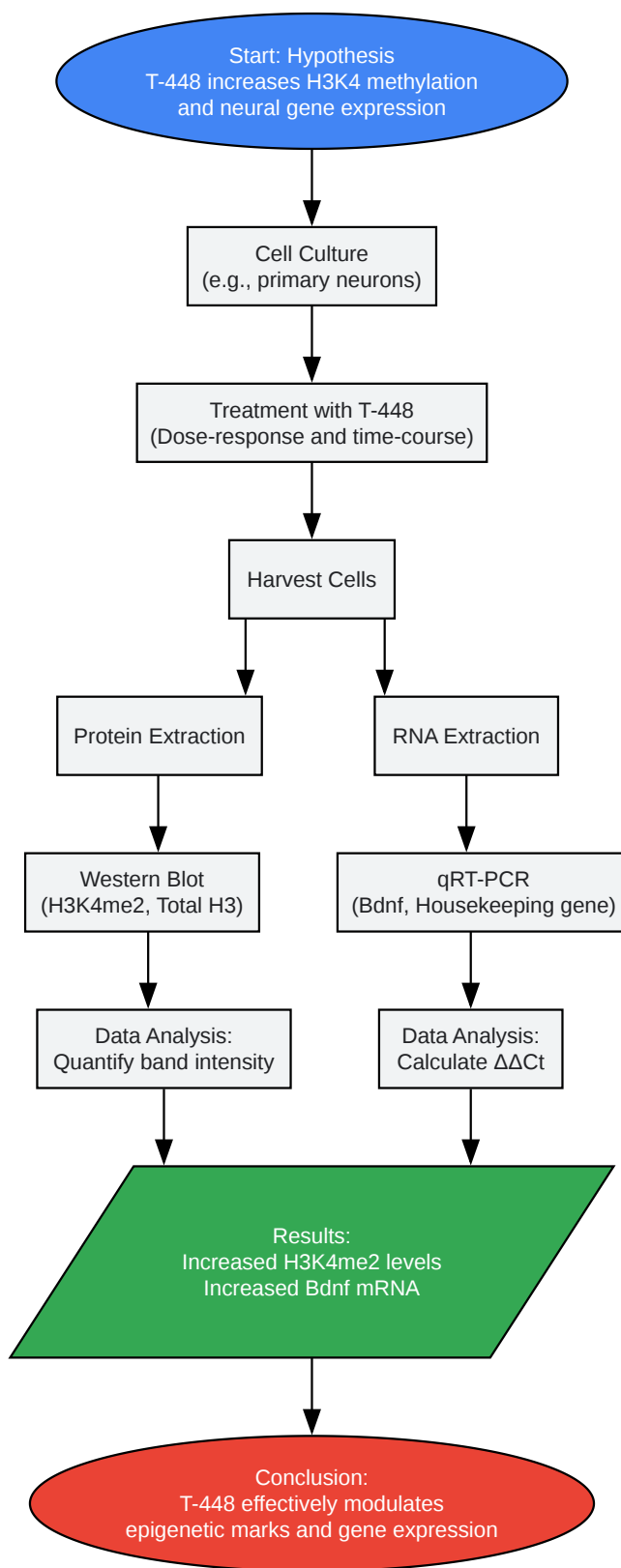
- cDNA synthesis kit
- qRT-PCR master mix (e.g., SYBR Green)
- Primers for target genes (e.g., Bdnf) and a housekeeping gene (e.g., Gapdh or Actb)
- qRT-PCR instrument

Procedure:

- Extract total RNA from the **T-448**-treated and control samples using an RNA extraction kit.
- Assess the quality and quantity of the extracted RNA.
- Synthesize cDNA from the total RNA using a cDNA synthesis kit.
- Set up the qRT-PCR reactions in triplicate for each sample and primer set, including a no-template control.
- Perform the qRT-PCR using a standard thermal cycling protocol (denaturation, annealing, and extension steps).
- Analyze the data using the comparative C_t ($\Delta\Delta C_t$) method to determine the relative fold change in gene expression, normalized to the housekeeping gene.

Experimental Workflow Visualization

The following diagram illustrates a typical experimental workflow for evaluating the cellular effects of **T-448**.



[Click to download full resolution via product page](#)

Caption: A standard workflow for assessing **T-448**'s cellular activity.

Conclusion

T-448 is a promising LSD1 inhibitor with a unique mechanism of action that confers a favorable safety profile. Its ability to modulate H3K4 methylation and upregulate the expression of genes involved in neuronal plasticity suggests its potential as a therapeutic agent for CNS disorders. The experimental protocols and workflows provided in this guide offer a solid foundation for researchers to further investigate the biological activities and therapeutic potential of **T-448**. As research in the field of epigenetics continues to evolve, targeted inhibitors like **T-448** will likely play an increasingly important role in the development of novel therapies.

Need Custom Synthesis?

BenchChem offers custom synthesis for rare earth carbides and specific isotopic labeling.

Email: info@benchchem.com or [Request Quote Online](#).

References

- [1. epigentek.com \[epigentek.com\]](https://www.epigentek.com)
- [2. pubs.acs.org \[pubs.acs.org\]](https://pubs.acs.org)
- [3. LSD1 inhibition assay \[bio-protocol.org\]](https://www.biorxiv.org/content/10.1101/081231v2)
- [4. LSD1 Activates PI3K/AKT Signaling Through Regulating p85 Expression in Prostate Cancer Cells - PMC \[pmc.ncbi.nlm.nih.gov\]](https://pubmed.ncbi.nlm.nih.gov/26111111/)
- To cite this document: BenchChem. [T-448: A Technical Guide to a Novel LSD1 Inhibitor]. BenchChem, [2026]. [Online PDF]. Available at: [\[https://www.benchchem.com/product/b15583452/docs#t-448-a-technical-guide-to-a-novel-lsd1-inhibitor\]](https://www.benchchem.com/product/b15583452/docs#t-448-a-technical-guide-to-a-novel-lsd1-inhibitor)

Disclaimer & Data Validity:

The information provided in this document is for Research Use Only (RUO) and is strictly not intended for diagnostic or therapeutic procedures. While BenchChem strives to provide accurate protocols, we make no warranties, express or implied, regarding the fitness of this product for every specific experimental setup.

Technical Support: The protocols provided are for reference purposes. Unsure if this reagent suits your experiment?

Need Industrial/Bulk Grade? [Request Custom Synthesis Quote](#)

BenchChem

Our mission is to be the trusted global source of essential and advanced chemicals, empowering scientists and researchers to drive progress in science and industry.

Contact

Address: 3281 E Guasti Rd

Ontario, CA 91761, United States

Phone: (601) 213-4426

Email: info@benchchem.com

[Contact our Ph.D. Support Team for a compatibility check](#)