

Navigating Biomarker Interpretation in S2101: A Technical Support Guide

Author: BenchChem Technical Support Team. **Date:** April 2026

Compound of Interest

Compound Name: S2101
Cat. No.: B15583422

[Get Quote](#)

For Researchers, Scientists, and Drug Development Professionals

This technical support center provides troubleshooting guidance and frequently asked questions (FAQs) regarding the interpretation of biomarkers in the context of the **S2101** (BiCaZO) clinical trial. The **S2101** study evaluates the combination of cabozantinib and nivolumab in patients with advanced solid tumors, stratifying them based on Tumor Mutational Burden (TMB) and a Tumor Inflammation Signature (TIS). This guide aims to address specific challenges researchers may encounter during their experiments and data analysis.

Frequently Asked Questions (FAQs) & Troubleshooting Tumor Mutational Burden (TMB) Interpretation

Q1: We have identified a "high" Tumor Mutational Burden (TMB) in our patient samples. Does this guarantee a positive response to the cabozantinib and nivolumab combination in the **S2101** trial?

A1: Not necessarily. While a higher TMB is generally associated with a better response to immune checkpoint inhibitors like nivolumab, it is not a perfect predictive biomarker.^[1] Several

factors can complicate this interpretation:

- **Confounding Therapies:** The addition of cabozantinib, a multi-tyrosine kinase inhibitor, to the treatment regimen can modulate the tumor microenvironment in ways that might alter the predictive power of TMB alone.
- **Lack of Universal Cutoff:** There is no universally agreed-upon cutoff for defining "high" versus "low" TMB, and the optimal threshold can vary by cancer type.[2]
- **Discordant Responses:** Some patients with high TMB may not respond to immunotherapy, while some with low TMB may still benefit.[3]

Troubleshooting Steps:

- **Integrated Analysis:** It is crucial to integrate TMB data with other biomarkers, such as the Tumor Inflammation Signature (TIS) and PD-L1 expression, for a more comprehensive prediction of response.
- **Cancer-Specific Thresholds:** Consider a cancer type-specific TMB cutoff rather than a single universal value.

Q2: Our lab is new to TMB analysis. What are the key challenges we should be aware of in standardizing our TMB assessment protocol?

A2: Standardizing TMB assessment is a significant challenge. Key considerations include:

- **Assay Variability:** Different sequencing panels and bioinformatic pipelines can yield varying TMB scores.[4] Whole-exome sequencing (WES) is considered the gold standard but is not always feasible.[5]
- **Sample Quality:** The quality and quantity of the tumor tissue, as well as the fixation method (formalin-fixed paraffin-embedded - FFPE), can impact the accuracy of TMB estimation.
- **Bioinformatic Pipeline:** The specific algorithms used for variant calling and filtering of germline mutations are critical for accurate TMB calculation.

Recommendations for Standardization:

- Panel Size: If using a targeted panel, ensure it has broad genomic coverage (ideally >1 megabase).[4]
- Reference Standards: Align panel-derived TMB values with a WES-derived reference standard.[4]
- Consistent Bioinformatic Workflow: Standardize the bioinformatic pipeline for all samples to ensure reproducibility.[4]

Tumor Inflammation Signature (TIS) Interpretation

Q3: What exactly does the Tumor Inflammation Signature (TIS) measure, and how should we interpret a "high" TIS score in the **S2101** trial?

A3: The Tumor Inflammation Signature (TIS) is an 18-gene expression signature that quantifies a pre-existing but suppressed adaptive immune response within the tumor microenvironment. [6] It measures the presence of an inflamed tumor phenotype, often referred to as a "hot" tumor.[7]

A high TIS score generally indicates the presence of immune cells, such as T-cells, and interferon-gamma (IFN γ) signaling, suggesting that the tumor is more likely to be recognized and attacked by the immune system.[6][8] In the context of anti-PD-1 therapy like nivolumab, a high TIS score has been shown to be predictive of a better clinical response.[8]

Q4: We are seeing a high TIS score in a patient who is not responding to the cabozantinib and nivolumab combination. What could be the potential reasons for this discrepancy?

A4: While a high TIS is a positive prognostic indicator, resistance can still occur. Potential reasons include:

- Immune Escape Mechanisms: The tumor may have other mechanisms of immune evasion that are not captured by the 18 genes in the TIS panel.
- Role of Cabozantinib: Cabozantinib's inhibition of pathways like MET and AXL can alter the tumor microenvironment, potentially influencing the immune cell infiltrate and their function in ways that are not fully understood in combination with nivolumab.

- T-cell Exhaustion: Even with a high TIS, the T-cells within the tumor might be terminally exhausted and unable to mount an effective anti-tumor response.

Troubleshooting and Further Analysis:

- Multiplex Immunofluorescence/IHC: Investigate the spatial distribution and functional state of different immune cell subsets within the tumor microenvironment.
- Analysis of Resistance Pathways: Explore other potential resistance mechanisms, such as alterations in antigen presentation machinery or the presence of immunosuppressive myeloid cells.

Quantitative Data Summary

Biomarker	Key Challenges in Interpretation for S2101	Recommendations for Researchers
Tumor Mutational Burden (TMB)	- No standardized cutoff for "high" vs. "low" - Potential for confounding effects from cabozantinib - Not always correlated with response	- Use cancer-type specific TMB thresholds - Integrate with other biomarkers (TIS, PD-L1) - Standardize sequencing and bioinformatic pipelines
Tumor Inflammation Signature (TIS)	- Interpretation in combination with a multi-TKI (cabozantinib) is complex - High TIS does not guarantee response due to other resistance mechanisms	- Combine with spatial analysis of immune cells - Investigate other immune escape pathways - Correlate with clinical outcomes to refine predictive value

Experimental Protocols

Key Experiment 1: Tumor Mutational Burden (TMB) Analysis via Whole-Exome Sequencing (WES)

Methodology:

- Sample Preparation:

- Extract genomic DNA from both the patient's tumor tissue (formalin-fixed paraffin-embedded - FFPE) and a matched normal sample (e.g., peripheral blood).
- Quantify and assess the quality of the extracted DNA.
- Library Preparation and Exome Capture:
 - Fragment the genomic DNA.
 - Ligate sequencing adapters to the DNA fragments.
 - Use a commercially available exome capture kit to enrich for the protein-coding regions of the genome (the exome).
- Sequencing:
 - Perform high-throughput sequencing of the captured exome libraries on a next-generation sequencing (NGS) platform.
- Bioinformatic Analysis:
 - Alignment: Align the sequencing reads to the human reference genome.
 - Variant Calling: Identify single nucleotide variants (SNVs) and small insertions/deletions (indels) in both the tumor and normal samples.
 - Somatic Variant Filtering: Subtract the variants present in the normal sample from the tumor sample to identify somatic (tumor-specific) mutations.
 - TMB Calculation: Count the number of non-synonymous somatic mutations per megabase of the captured exome.

Key Experiment 2: Tumor Inflammation Signature (TIS) Analysis via Gene Expression Profiling

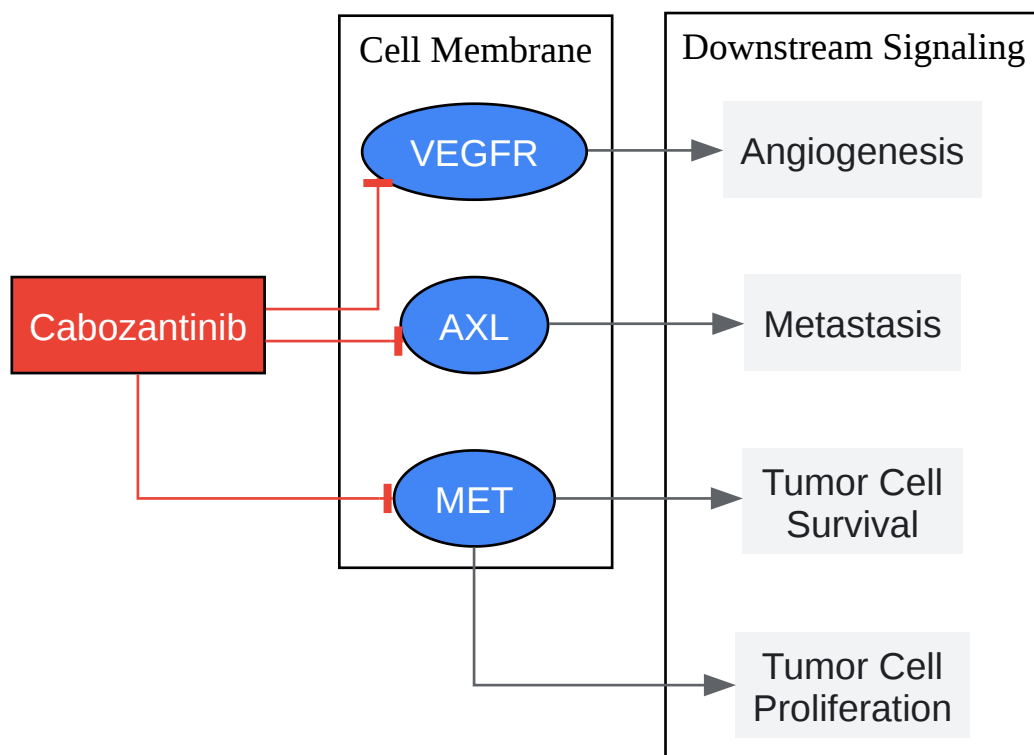
Methodology:

- Sample Preparation:

- Extract total RNA from FFPE tumor tissue sections.
- Assess the quality and quantity of the extracted RNA.
- Gene Expression Profiling:
 - Utilize a targeted gene expression profiling platform, such as the NanoString nCounter system, with a probe set designed to measure the expression of the 18 genes in the TIS panel and relevant housekeeping genes.
- Data Normalization:
 - Normalize the raw gene expression counts to the expression of the housekeeping genes to account for technical variability.
- TIS Score Calculation:
 - Calculate the TIS score as a weighted linear combination of the normalized expression values of the 18 signature genes. The specific weighting for each gene is proprietary but the general methodology is established.[8]

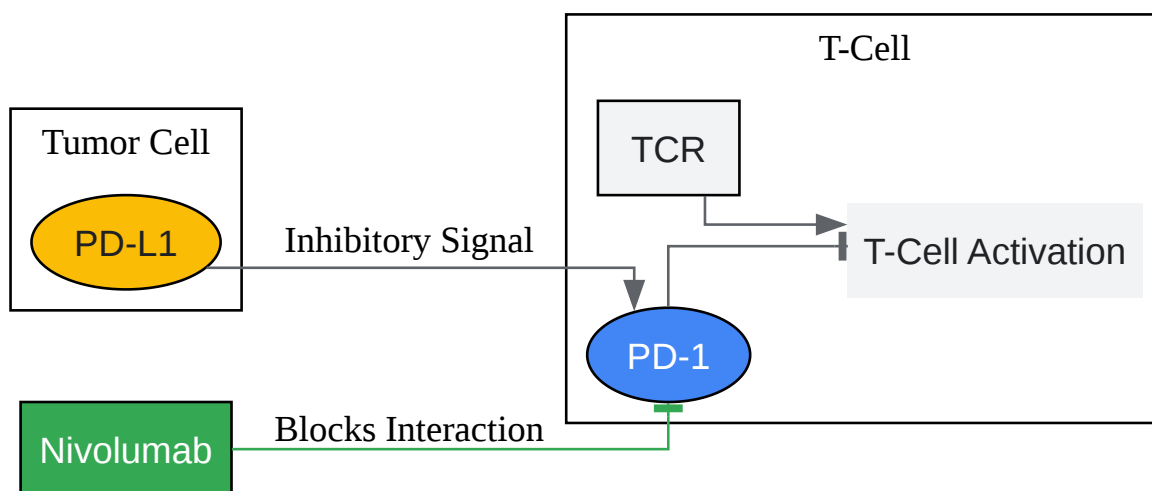
Visualizations

Signaling Pathways



[Click to download full resolution via product page](#)

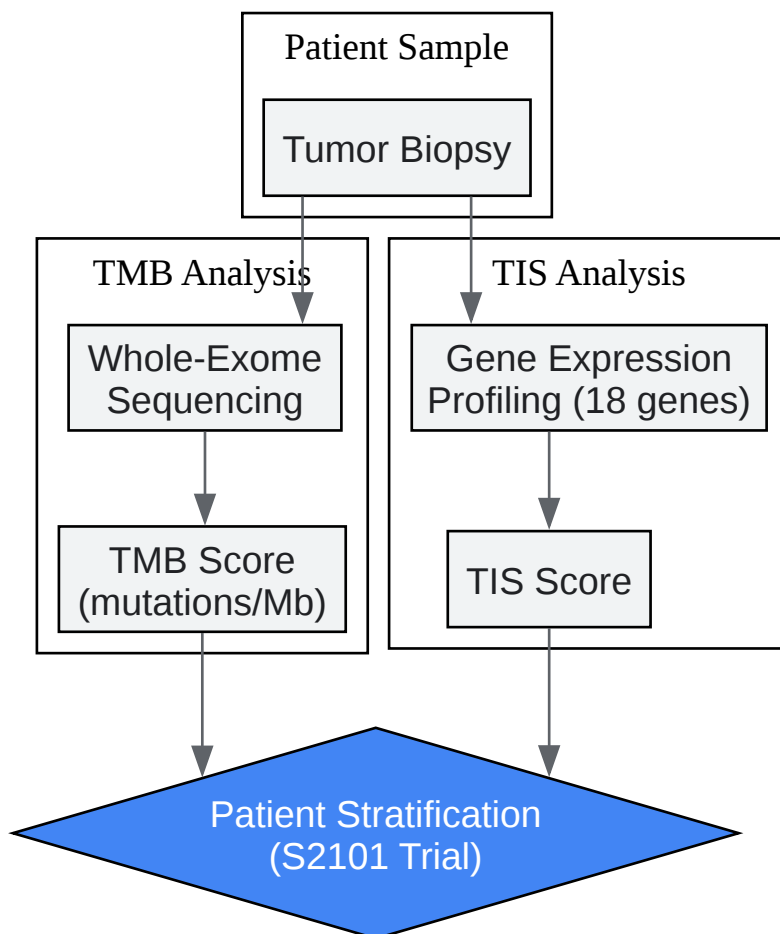
Caption: Cabozantinib inhibits multiple receptor tyrosine kinases.



[Click to download full resolution via product page](#)

Caption: Nivolumab blocks the PD-1/PD-L1 inhibitory pathway.

Experimental Workflow



[Click to download full resolution via product page](#)

Caption: Workflow for TMB and TIS biomarker analysis in **S2101**.

Need Custom Synthesis?

BenchChem offers custom synthesis for rare earth carbides and specific isotopic labeling.

Email: info@benchchem.com or [Request Quote Online](#).

References

- 1. [The Challenges of Tumor Mutational Burden as an Immunotherapy Biomarker - PMC \[pmc.ncbi.nlm.nih.gov\]](#)

- [2. GitHub - adrianblevine/Immuno-oncology_nanostring: Example scripts for NanoString immune assay and Tumor Inflammation Signature \[github.com\]](#)
- [3. Challenges and Future Directions in the Management of Tumor Mutational Burden-High \(TMB-H\) Advanced Solid Malignancies - PubMed \[pubmed.ncbi.nlm.nih.gov\]](#)
- [4. Tumor mutational burden standardization initiatives: Recommendations for consistent tumor mutational burden assessment in clinical samples to guide immunotherapy treatment decisions - PMC \[pmc.ncbi.nlm.nih.gov\]](#)
- [5. Implementing tumor mutational burden \(TMB\) analysis in routine diagnostics—a primer for molecular pathologists and clinicians - Allgäuer - Translational Lung Cancer Research \[tlcr.amegroups.org\]](#)
- [6. Pan-cancer adaptive immune resistance as defined by the Tumor Inflammation Signature \(TIS\): results from The Cancer Genome Atlas \(TCGA\) - PMC \[pmc.ncbi.nlm.nih.gov\]](#)
- [7. nanostring.com \[nanostring.com\]](#)
- [8. The tumor inflammation signature \(TIS\) is associated with anti-PD-1 treatment benefit in the CERTIM pan-cancer cohort | springermedizin.de \[springermedizin.de\]](#)
- [To cite this document: BenchChem. \[Navigating Biomarker Interpretation in S2101: A Technical Support Guide\]. BenchChem, \[2026\]. \[Online PDF\]. Available at: \[https://www.benchchem.com/product/b15583422/docs#navigating-biomarker-interpretation-in-s2101-a-technical-support-guide\]](#)

Disclaimer & Data Validity:

The information provided in this document is for Research Use Only (RUO) and is strictly not intended for diagnostic or therapeutic procedures. While BenchChem strives to provide accurate protocols, we make no warranties, express or implied, regarding the fitness of this product for every specific experimental setup.

Technical Support: The protocols provided are for reference purposes. Unsure if this reagent suits your experiment?

Need Industrial/Bulk Grade? [Request Custom Synthesis Quote](#)

BenchChem

Our mission is to be the trusted global source of essential and advanced chemicals, empowering scientists and researchers to drive progress in science and industry.

Contact

Address: 3281 E Guasti Rd

Ontario, CA 91761, United States

Phone: (601) 213-4426

Email: info@benchchem.com

[Contact our Ph.D. Support Team for a compatibility check](#)