

# Comparison Guide: Validating the Mechanism of LC3in-C42 Using ATG5/7 Knockout Cells

**Author:** BenchChem Technical Support Team. **Date:** April 2026

## Compound of Interest

Compound Name: LC3in-C42

Cat. No.: B15582679

[Get Quote](#)

This guide provides a comprehensive framework for researchers, scientists, and drug development professionals on how to use ATG5/7 knockout (KO) cells to validate the mechanism of action for putative autophagy inhibitors, using **LC3in-C42** as a primary example.

## Introduction to Autophagy and Inhibitor Validation

Macroautophagy (hereafter "autophagy") is a fundamental cellular recycling process where cytoplasmic components are sequestered in double-membraned vesicles called autophagosomes and delivered to the lysosome for degradation. A key event in autophagosome formation is the conjugation of Microtubule-associated protein 1A/1B-light chain 3 (LC3) to phosphatidylethanolamine (PE), converting LC3-I to the lipidated form, LC3-II.

This process is critically dependent on the autophagy-related (ATG) genes, particularly ATG7, which acts as an E1-like activating enzyme, and ATG5, which is part of an E3-like ligase complex.<sup>[1][2]</sup> The ATG12-ATG5-ATG16L1 complex is essential for the lipidation of LC3, making ATG5 and ATG7 indispensable for canonical autophagy.<sup>[1][3]</sup>

Small molecules like **LC3in-C42** are developed to modulate this pathway. However, their precise mechanism must be rigorously validated. The use of cell lines genetically deficient in core autophagy proteins, such as ATG5 or ATG7, represents a gold-standard method for

confirming whether a compound's activity is dependent on the canonical autophagy machinery. If a compound's effects are diminished or absent in ATG5/7 KO cells compared to wild-type (WT) cells, it provides strong evidence of an on-target, autophagy-dependent mechanism.

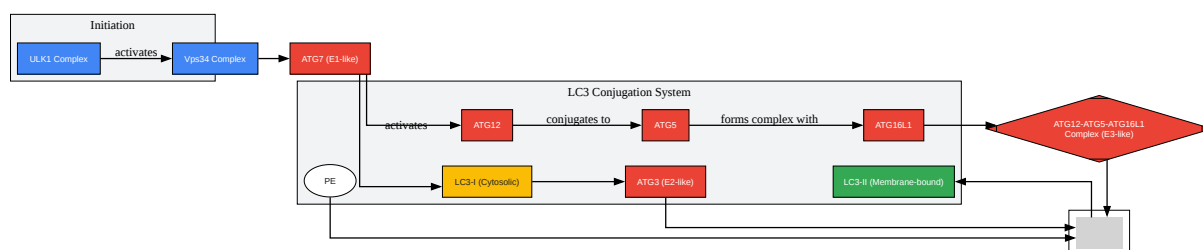
## Comparative Mechanisms: LC3in-C42 and Alternative Inhibitors

To validate a new compound, it is crucial to compare its functional signature to well-characterized inhibitors that act at different stages of the autophagy pathway.

Compound	Proposed Target / Mechanism of Action	Effect on LC3-II Levels	Effect on Autophagic Flux
LC3in-C42 (Putative)	Proposed to inhibit an early stage of autophagosome formation, potentially by interfering with the LC3 conjugation system.	Decreases or prevents the formation of LC3-II.	Blocks
3-Methyladenine (3-MA)	Class III PI3K (Vps34) inhibitor. Acts at an early stage, blocking the initiation of autophagosome formation.	Decreases LC3-II formation.	Blocks
Bafilomycin A1 / Chloroquine	V-ATPase inhibitor (BafA1) or lysosomotropic agent (CQ). Both inhibit the final step of autophagy by preventing the fusion of autophagosomes with lysosomes and/or blocking lysosomal degradation.[4]	Increases LC3-II levels due to accumulation, not increased formation.	Blocks
SAR405	Potent and specific inhibitor of the Class III PI3K, Vps34. Blocks autophagosome initiation.[4]	Decreases LC3-II formation.	Blocks

## The Canonical Autophagy Pathway and the Role of ATG5/7

The ATG5/7-dependent pathway is the most well-understood mechanism for autophagosome formation. ATG7 initiates two ubiquitin-like conjugation cascades. One cascade results in the formation of the ATG12-ATG5 conjugate. This conjugate then non-covalently associates with ATG16L1 to form a large E3-like ligase complex. In parallel, ATG7 activates LC3 (an ATG8 homolog), which is then transferred to the E2-like enzyme ATG3. The ATG12-ATG5-ATG16L1 complex then facilitates the final conjugation of PE to LC3-I, generating the autophagosome-associated LC3-II. Knockout of either ATG5 or ATG7 completely disrupts this process.

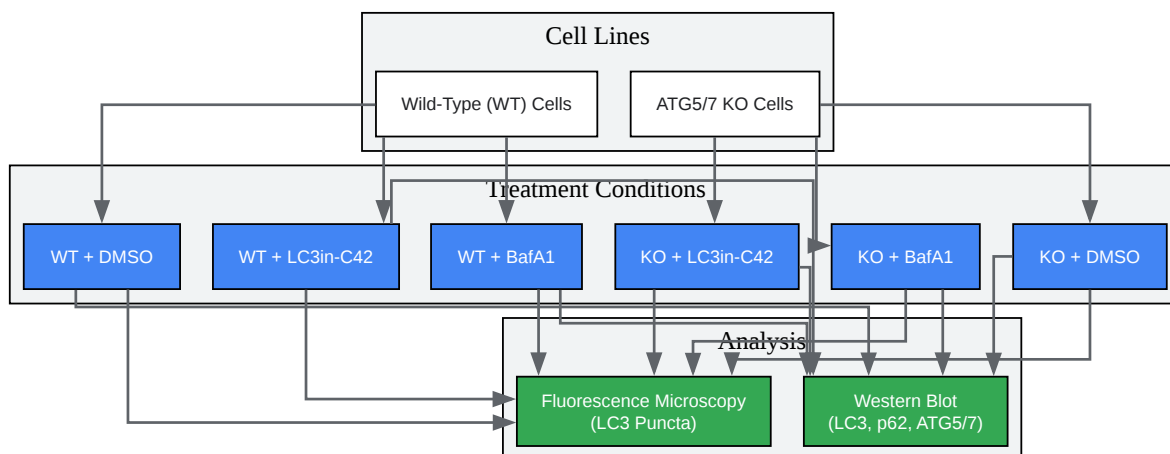


[Click to download full resolution via product page](#)

Caption: The ATG5/7-dependent canonical autophagy pathway.

## Experimental Design for Validating LC3in-C42

The core principle of the validation experiment is to compare the effects of LC3in-C42 in wild-type (WT) cells versus isogenic ATG5 or ATG7 knockout (KO) cells.



[Click to download full resolution via product page](#)

Caption: Workflow for validating **LC3in-C42** using KO cells.

## Experimental Protocols

### Cell Culture and Treatment

- Cell Lines: Use a matched pair of wild-type and ATG5 KO (or ATG7 KO) cell lines (e.g., MEFs, HeLa, or U2OS).
- Culture: Culture cells in DMEM supplemented with 10% FBS and 1% Penicillin-Streptomycin at 37°C in a 5% CO<sub>2</sub> incubator.
- Seeding: Seed cells onto 6-well plates (for Western Blot) or glass coverslips in 24-well plates (for microscopy) to reach 60-70% confluency on the day of treatment.
- Treatment:
  - Prepare stock solutions of **LC3in-C42** (e.g., 10 mM in DMSO) and Bafilomycin A1 (100 μM in DMSO).

- Aspirate old media and replace with fresh media containing the compounds at their final working concentrations (e.g., **LC3in-C42** at 10  $\mu$ M, BafA1 at 100 nM, and a DMSO vehicle control).
- Incubate cells for the desired time period (e.g., 4-6 hours).

## Western Blot Analysis

- Lysis: Wash cells with ice-cold PBS and lyse with RIPA buffer containing protease and phosphatase inhibitors.
- Quantification: Determine protein concentration using a BCA assay.
- SDS-PAGE: Load 20-30  $\mu$ g of protein per lane onto a 12-15% polyacrylamide gel. Run the gel until adequate separation of LC3-I (approx. 16 kDa) and LC3-II (approx. 14 kDa) is achieved.
- Transfer: Transfer proteins to a PVDF membrane.
- Blocking & Antibody Incubation: Block the membrane with 5% non-fat milk or BSA in TBST for 1 hour. Incubate with primary antibodies overnight at 4°C (e.g., anti-LC3B, anti-p62/SQSTM1, anti-ATG5, and anti-Actin/Tubulin as a loading control).
- Detection: Wash the membrane and incubate with HRP-conjugated secondary antibodies. Detect signal using an ECL substrate and an imaging system.
- Analysis: Quantify band intensity using software like ImageJ. Calculate the LC3-II/Actin ratio.

## Fluorescence Microscopy for LC3 Puncta

- Fixation: After treatment, wash cells on coverslips with PBS and fix with 4% paraformaldehyde for 15 minutes.
- Permeabilization: Permeabilize cells with 0.1% Triton X-100 in PBS for 10 minutes.
- Blocking & Staining: Block with 1% BSA in PBS. Incubate with anti-LC3B primary antibody followed by an Alexa Fluor-conjugated secondary antibody (e.g., Alexa Fluor 488). Stain nuclei with DAPI.

- Imaging: Mount coverslips onto slides and image using a confocal or fluorescence microscope.
- Analysis: Count the number of LC3 puncta per cell. An autophagosome is visualized as a distinct dot-like structure.

## Predicted Results and Data Interpretation

The expected outcomes will confirm if **LC3in-C42** acts on the canonical autophagy pathway.

**Table 1: Predicted Western Blot Data (LC3-II/Actin Ratio)**

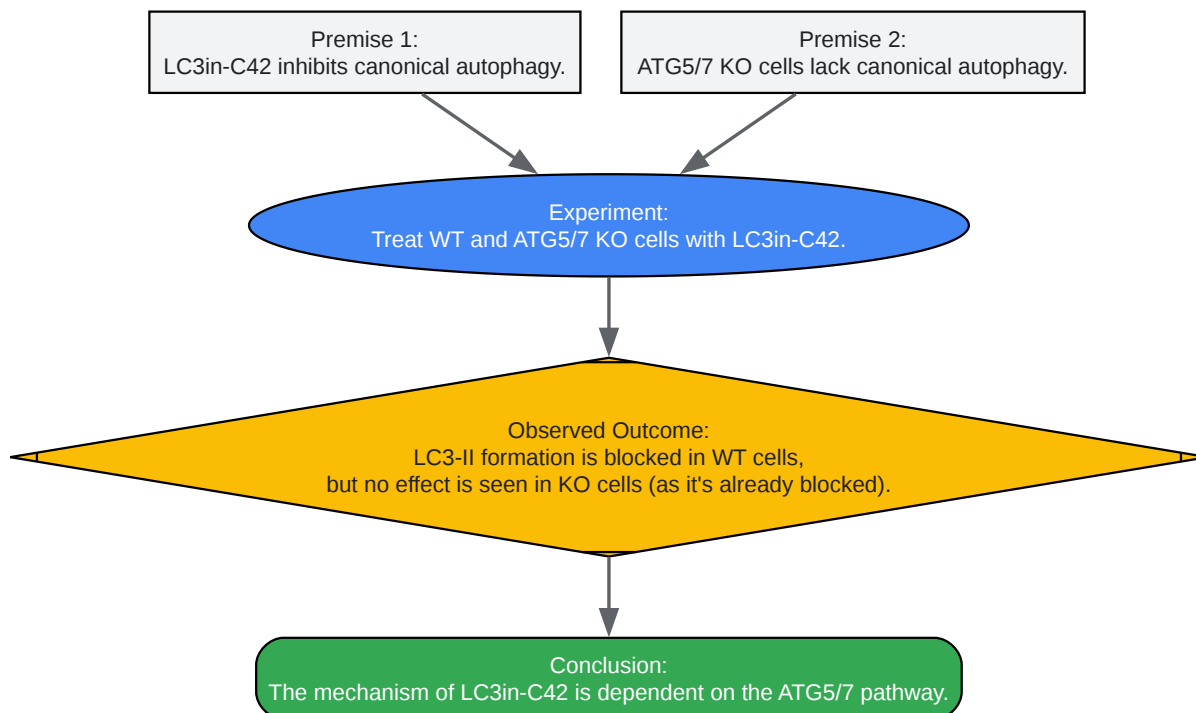
Cell Line	Treatment	Predicted LC3-II/Actin Ratio (Fold Change vs. WT DMSO)	Interpretation
Wild-Type	DMSO Control	1.0	Basal autophagy level.
Wild-Type	LC3in-C42	< 0.5	LC3in-C42 inhibits LC3-II formation.
Wild-Type	BafA1 (Control)	> 5.0	BafA1 blocks LC3-II degradation, leading to accumulation.
ATG5 KO	DMSO Control	~ 0.0	No LC3-II formation due to knockout.
ATG5 KO	LC3in-C42	~ 0.0	Effect is masked; confirms ATG5-dependence.
ATG5 KO	BafA1 (Control)	~ 0.0	BafA1 cannot cause accumulation if no LC3-II is formed.

**Table 2: Predicted Fluorescence Microscopy Data (LC3 Puncta)**

Cell Line	Treatment	Predicted Avg. LC3 Puncta per Cell	Interpretation
Wild-Type	DMSO Control	2-5	Basal autophagosome formation.
Wild-Type	LC3in-C42	0-1	LC3in-C42 blocks autophagosome formation.
Wild-Type	BafA1 (Control)	> 20	Puncta accumulate due to blocked degradation.
ATG5 KO	DMSO Control	0-1	No puncta formation due to knockout.
ATG5 KO	LC3in-C42	0-1	Confirms ATG5 is required for the observed effect.
ATG5 KO	BafA1 (Control)	0-1	No puncta to accumulate.

## Logical Framework for Validation

The use of ATG5/7 KO cells provides a clear logical test for the mechanism of action. If **LC3in-C42** targets the canonical autophagy pathway, its inhibitory effect on LC3-II formation and LC3 puncta will be completely dependent on the presence of functional ATG5 and ATG7 proteins.



[Click to download full resolution via product page](#)

Caption: Logical flow for validating an on-target mechanism.

## Conclusion

Utilizing ATG5 or ATG7 knockout cell lines is an indispensable tool for validating the mechanism of putative autophagy modulators like **LC3in-C42**. By demonstrating a loss of effect in these knockout cells, researchers can confidently conclude that the compound's activity is mediated through the canonical autophagy pathway. This approach provides a clear, data-driven distinction between on-target autophagy inhibitors and compounds that may affect cellular processes through off-target or alternative mechanisms. It is a critical step in the rigorous preclinical validation of novel therapeutic agents targeting autophagy.

### Need Custom Synthesis?

BenchChem offers custom synthesis for rare earth carbides and specific isotopic labeling.

Email: [info@benchchem.com](mailto:info@benchchem.com) or [Request Quote Online](#).

## References

- [1. Autophagy protein 5 - Wikipedia \[en.wikipedia.org\]](#)
- [2. ATG7 - Wikipedia \[en.wikipedia.org\]](#)
- [3. Frontiers | Exploring the Role of Autophagy-Related Gene 5 \(ATG5\) Yields Important Insights Into Autophagy in Autoimmune/Autoinflammatory Diseases \[frontiersin.org\]](#)
- [4. Novel and conventional inhibitors of canonical autophagy differently affect LC3-associated phagocytosis - PubMed \[pubmed.ncbi.nlm.nih.gov\]](#)
- To cite this document: BenchChem. [Comparison Guide: Validating the Mechanism of LC3in-C42 Using ATG5/7 Knockout Cells]. BenchChem, [2026]. [Online PDF]. Available at: [\[https://www.benchchem.com/product/b15582679/docs#comparison-guide-validating-the-mechanism-of-lc3in-c42-using-atg5-7-knockout-cells\]](https://www.benchchem.com/product/b15582679/docs#comparison-guide-validating-the-mechanism-of-lc3in-c42-using-atg5-7-knockout-cells)

---

### Disclaimer & Data Validity:

The information provided in this document is for Research Use Only (RUO) and is strictly not intended for diagnostic or therapeutic procedures. While BenchChem strives to provide accurate protocols, we make no warranties, express or implied, regarding the fitness of this product for every specific experimental setup.

**Technical Support:** The protocols provided are for reference purposes. Unsure if this reagent suits your experiment?

**Need Industrial/Bulk Grade?** [Request Custom Synthesis Quote](#)

## BenchChem

Our mission is to be the trusted global source of essential and advanced chemicals, empowering scientists and researchers to drive progress in science and industry.

### Contact

Address: 3281 E Guasti Rd

Ontario, CA 91761, United States

Phone: (601) 213-4426

Email: [info@benchchem.com](mailto:info@benchchem.com)

Contact our Ph.D. Support Team for a compatibility check