

# Technical Support Center: Mitigating Immune Responses to CENPB siRNA

**Author:** BenchChem Technical Support Team. **Date:** April 2026

## Compound of Interest

**Compound Name:** CENPB Human Pre-designed  
siRNA Set A

**Cat. No.:** B15581411

[Get Quote](#)

This technical support center provides researchers, scientists, and drug development professionals with comprehensive troubleshooting guides and frequently asked questions (FAQs) to mitigate the innate immune response often associated with the use of small interfering RNA (siRNA), including those targeting Centromere Protein B (CENP-B).

## Frequently Asked Questions (FAQs)

Q1: Why is my CENP-B siRNA activating an immune response?

A1: Synthetic siRNAs, including those targeting CENP-B, can be recognized by the innate immune system as foreign molecules, similar to viral double-stranded RNA (dsRNA).[1] This recognition is primarily mediated by Pattern Recognition Receptors (PRRs) located on or within immune cells.[1] The primary pathways involved are:

- Toll-Like Receptors (TLRs): TLR7 and TLR8 in endosomes can recognize specific single-stranded RNA (ssRNA) motifs, while TLR3 can be activated by dsRNA.[2][3]
- Cytoplasmic RNA Sensors: Retinoic acid-inducible gene I (RIG-I) and melanoma differentiation-associated protein 5 (MDA5) are cytoplasmic sensors that can be activated by

dsRNA, particularly those with a 5'-triphosphate group or blunt ends.[1][2]

Activation of these pathways leads to the production of pro-inflammatory cytokines (e.g., TNF- $\alpha$ , IL-6) and Type I interferons (IFN- $\alpha/\beta$ ), which can cause off-target effects and cellular toxicity, potentially confounding experimental results.[1][3]

Q2: Are there specific sequences in my CENP-B siRNA that are more likely to be immunogenic?

A2: Yes, certain sequence motifs are known to be more immunostimulatory. For instance, GU-rich sequences have been identified as potent activators of TLR7/8. While there is no evidence to suggest that CENP-B siRNA sequences are inherently more immunogenic than others, it is a factor to consider in siRNA design.

Q3: How can I reduce the immune response from my CENP-B siRNA?

A3: Several strategies can be employed to mitigate the innate immune response to siRNA:

- **Chemical Modifications:** Modifying the siRNA duplex is one of the most effective strategies. 2'-O-methyl (2'-OMe) modifications of the ribose sugar are widely used and have been shown to significantly reduce TLR recognition without compromising silencing activity.[4]
- **Purification:** Ensuring high purity of your siRNA preparation is crucial. Contaminants from the synthesis process, such as long dsRNA or single-stranded RNA, can be potent immune activators.
- **Delivery Vehicle Selection:** The choice of delivery vehicle can influence the immune response. Some cationic lipids used for transfection can themselves be immunostimulatory. [2] It is advisable to test different transfection reagents to find one with low intrinsic immunogenicity.
- **Dose Optimization:** Using the lowest effective concentration of siRNA can significantly reduce off-target effects, including immune stimulation.[5]
- **Structural Modifications:** The structure of the siRNA duplex can impact its recognition by immune sensors. For example, incorporating 3' overhangs can reduce recognition by RIG-I, which is activated by blunt-ended dsRNA.[1]

Q4: Will modifying my CENP-B siRNA affect its silencing efficiency?

A4: Not necessarily. Chemical modifications like 2'-O-methylation are generally well-tolerated and can even enhance the stability and in vivo performance of the siRNA.<sup>[4]</sup> However, the position and extent of modification can influence activity. It is recommended to test a few different modification patterns to find the optimal balance between reduced immunogenicity and potent gene silencing.

## Troubleshooting Guide

Problem	Possible Cause	Recommended Solution
High levels of IFN- $\alpha$ , TNF- $\alpha$ , or IL-6 detected after transfection.	The siRNA is activating TLRs or cytoplasmic RNA sensors.	<ol style="list-style-type: none"> <li>1. Switch to a chemically modified siRNA (e.g., with 2'-O-methyl modifications).</li> <li>2. Verify the purity of your siRNA preparation.</li> <li>3. Optimize the siRNA concentration to the lowest effective dose.</li> <li>4. Test alternative, low-immunogenicity transfection reagents.</li> </ol>
Significant off-target gene silencing observed in microarray or RNA-seq data.	The siRNA is causing a broad, non-specific inflammatory response, leading to changes in gene expression.	<ol style="list-style-type: none"> <li>1. Implement the solutions for high cytokine levels.</li> <li>2. Use a validated negative control siRNA to distinguish sequence-specific off-target effects from immune-mediated effects.</li> <li>3. Reduce the siRNA concentration. Off-target effects are often concentration-dependent.<a href="#">[5]</a></li> </ol>
Poor cell viability after transfection.	The immune response is leading to cytotoxicity. The transfection reagent itself may be toxic.	<ol style="list-style-type: none"> <li>1. Measure cell viability with a range of siRNA concentrations and transfection reagent volumes to find the optimal, non-toxic conditions.</li> <li>2. Mitigate the immune response using the strategies outlined above.</li> <li>3. Consider switching to a less toxic delivery method, such as electroporation for certain cell types.</li> </ol>
Inconsistent knockdown of CENP-B.	The immune response is interfering with the RNAi machinery or affecting cell	<ol style="list-style-type: none"> <li>1. Address the underlying immune activation.</li> <li>2. Ensure consistent transfection</li> </ol>

health, leading to variable results.

efficiency by using a positive control siRNA (e.g., targeting a housekeeping gene) and a fluorescently labeled control oligo.

## Data on Mitigating Immune Response

Table 1: Effect of siRNA Concentration on Off-Target Effects

siRNA Concentration	Number of Off-Target Genes Down-regulated >2-fold	Number of Off-Target Genes Up-regulated >2-fold
25 nM	56	112
10 nM	30	89
1 nM	0	0

Data summarized from a study using a STAT3-targeting siRNA in which off-target effects were significantly reduced at lower concentrations.[5]

Table 2: Impact of Chemical Modifications on siRNA-Induced Cytokine Production

siRNA Modification	Cytokine Induction (e.g., IL-6, IL-8)	Reference
Unmodified	Can induce significant production (e.g., up to 6-fold for IL-6 and 9-fold for IL-8 in some cases)	[3]
2'-O-Methyl (2'-OMe)	Significantly reduces or abrogates cytokine induction	[4]

## Experimental Protocols

## Protocol 1: Quantification of siRNA-Induced Cytokine Production by ELISA

This protocol describes the measurement of pro-inflammatory cytokines (e.g., TNF- $\alpha$ , IL-6, IFN- $\alpha$ ) in the supernatant of cells transfected with CENP-B siRNA.

Materials:

- Cells of interest (e.g., peripheral blood mononuclear cells (PBMCs) or a relevant cell line)
- CENP-B siRNA (unmodified and/or modified)
- Negative control siRNA
- Transfection reagent
- Cell culture medium
- ELISA kit for the cytokine of interest (e.g., human TNF- $\alpha$  ELISA kit)
- 96-well plate reader

Procedure:

- Cell Seeding: Seed cells in a 24-well plate at a density that will result in 70-80% confluency at the time of transfection.
- Transfection:
  - Prepare siRNA-transfection reagent complexes according to the manufacturer's protocol. Include the following conditions:
    - Untreated cells (mock transfection)
    - Cells treated with transfection reagent only
    - Cells transfected with negative control siRNA

- Cells transfected with CENP-B siRNA
  - Add the complexes to the cells and incubate for the desired time (typically 24-48 hours).
- Supernatant Collection: After incubation, centrifuge the plate at 300 x g for 5 minutes to pellet any detached cells. Carefully collect the cell culture supernatant and store at -80°C until analysis.
- ELISA:
  - Perform the ELISA for the target cytokine according to the kit manufacturer's instructions.
  - Briefly, this involves adding the collected supernatants and standards to an antibody-coated plate, followed by incubation, washing, addition of a detection antibody, and a substrate for color development.
- Data Analysis:
  - Measure the absorbance at the appropriate wavelength using a plate reader.
  - Generate a standard curve and calculate the concentration of the cytokine in each sample.
  - Compare the cytokine levels in cells treated with CENP-B siRNA to the negative control and mock-transfected cells.

## Protocol 2: Assessment of Off-Target Effects by Quantitative RT-PCR (qRT-PCR)

This protocol allows for the quantification of the mRNA levels of known immune-related genes that may be upregulated as off-target effects of siRNA transfection.

Materials:

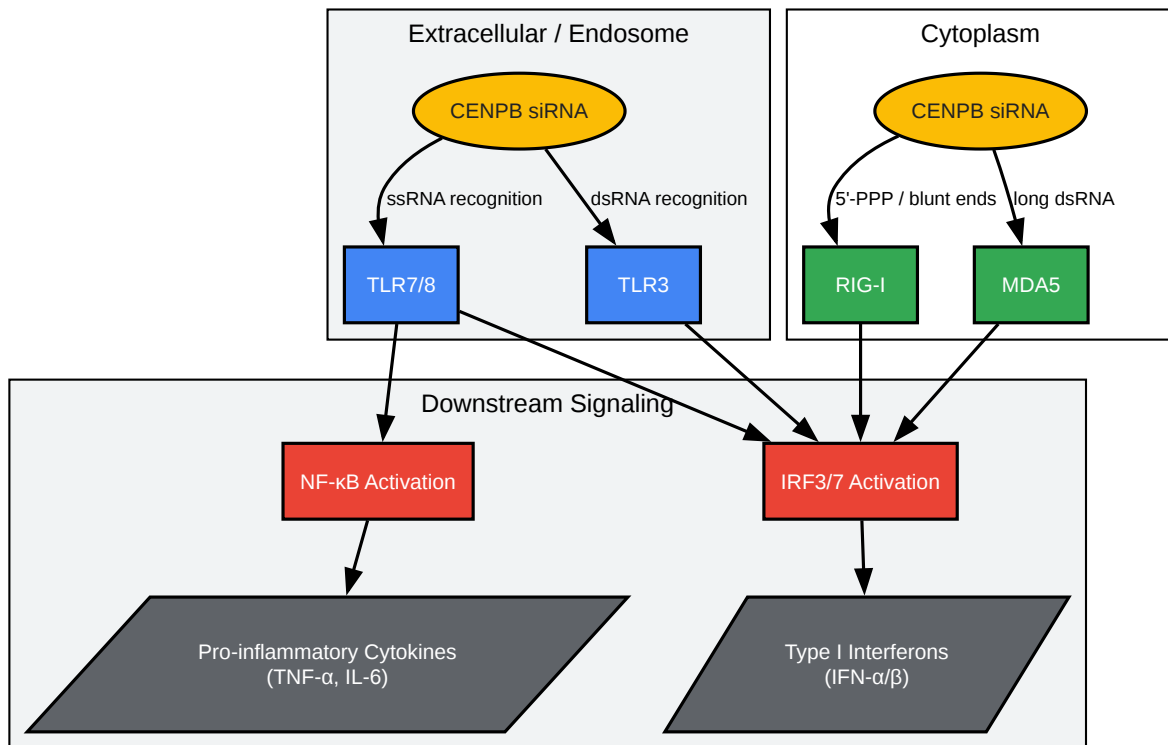
- Transfected cells from Protocol 1
- RNA extraction kit
- cDNA synthesis kit

- qPCR master mix
- Primers for target genes (e.g., IFN- $\beta$ , OAS1, PKR) and a housekeeping gene (e.g., GAPDH, ACTB)
- qPCR instrument

Procedure:

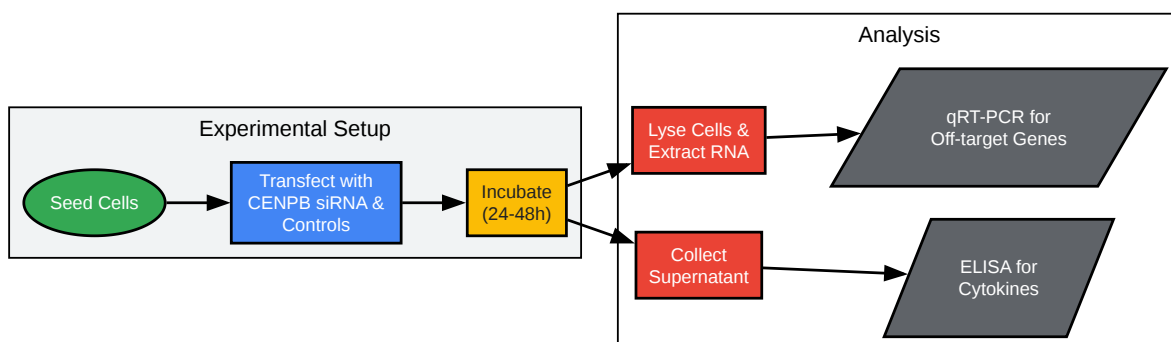
- RNA Extraction:
  - After the desired incubation period post-transfection, lyse the cells directly in the wells and extract total RNA using a commercial kit according to the manufacturer's instructions.
  - Quantify the RNA and assess its purity.
- cDNA Synthesis:
  - Reverse transcribe 1  $\mu$ g of total RNA into cDNA using a cDNA synthesis kit.
- qPCR:
  - Prepare the qPCR reaction mix containing the cDNA template, qPCR master mix, and forward and reverse primers for the gene of interest and the housekeeping gene.
  - Run the qPCR program on a real-time PCR instrument.
- Data Analysis:
  - Calculate the relative expression of the target genes using the  $\Delta\Delta C_t$  method, normalizing to the housekeeping gene and comparing the expression in CENP-B siRNA-treated cells to that in negative control-treated cells.

## Visualizations



[Click to download full resolution via product page](#)

Caption: Innate immune signaling pathways activated by siRNA.



[Click to download full resolution via product page](#)

Caption: Workflow for assessing siRNA-induced immune response.

### Need Custom Synthesis?

BenchChem offers custom synthesis for rare earth carbides and specific isotopic labeling.

Email: [info@benchchem.com](mailto:info@benchchem.com) or [Request Quote Online](#).

## References

- 1. The time-course and RNA interference of TNF- $\alpha$ , IL-6, and IL-1 $\beta$  expression on neuropathic pain induced by L5 spinal nerve transection in rats - PMC [[pmc.ncbi.nlm.nih.gov](https://pubmed.ncbi.nlm.nih.gov/)]
- 2. 2'-O-Methyl at 20-mer Guide Strand 3' Termini May Negatively Affect Target Silencing Activity of Fully Chemically Modified siRNA - PMC [[pmc.ncbi.nlm.nih.gov](https://pubmed.ncbi.nlm.nih.gov/)]
- 3. Induction of interleukins IL-6 and IL-8 by siRNA - PMC [[pmc.ncbi.nlm.nih.gov](https://pubmed.ncbi.nlm.nih.gov/)]
- 4. Modification Options For siRNA - ELLA Biotech [[ellabiotech.com](https://ellabiotech.com/)]
- 5. CENP-B: a major human centromere protein located beneath the kinetochore - PubMed [[pubmed.ncbi.nlm.nih.gov](https://pubmed.ncbi.nlm.nih.gov/)]
- To cite this document: BenchChem. [Technical Support Center: Mitigating Immune Responses to CENPB siRNA]. BenchChem, [2026]. [Online PDF]. Available at: [<https://www.benchchem.com/product/b15581411/docs#technical-support-center-mitigating-immune-responses-to-cenpb-sirna>]

---

### Disclaimer & Data Validity:

The information provided in this document is for Research Use Only (RUO) and is strictly not intended for diagnostic or therapeutic procedures. While BenchChem strives to provide accurate protocols, we make no warranties, express or implied, regarding the fitness of this product for every specific experimental setup.

**Technical Support:** The protocols provided are for reference purposes. Unsure if this reagent suits your experiment?

**Need Industrial/Bulk Grade?** [Request Custom Synthesis Quote](#)

# BenchChem

Our mission is to be the trusted global source of essential and advanced chemicals, empowering scientists and researchers to drive progress in science and industry.

## Contact

Address: 3281 E Guasti Rd

Ontario, CA 91761, United States

Phone: (601) 213-4426

Email: [info@benchchem.com](mailto:info@benchchem.com)

[Contact our Ph.D. Support Team for a compatibility check](#)