

Application Notes: DD0-2363 Experimental Protocol for Cell Culture

Author: BenchChem Technical Support Team. **Date:** April 2026

Compound of Interest

Compound Name: DD0-2363

Cat. No.: B15580351

[Get Quote](#)

Introduction

DD0-2363 is a novel investigational compound with potential therapeutic applications in oncology. These application notes provide detailed protocols for the in vitro characterization of **DD0-2363** using standard cell culture-based assays. The primary objective is to assess the compound's effect on cell viability and to elucidate its mechanism of action through the analysis of key signaling pathways. The following protocols are optimized for researchers, scientists, and drug development professionals working with cancer cell lines.

Core Experimental Protocols

Cell Line Maintenance and Culture

- Recommended Cell Line: A549 (human lung carcinoma) is recommended for initial screening due to its robust growth characteristics and well-defined signaling pathways.
- Culture Medium: RPMI-1640 supplemented with 10% Fetal Bovine Serum (FBS) and 1% Penicillin-Streptomycin solution.
- Culture Conditions: Cells should be maintained in a humidified incubator at 37°C with a 5% CO₂ atmosphere.

- Subculturing: Cells should be passaged upon reaching 80-90% confluency to maintain exponential growth.

Cell Viability Assay (MTT Assay)

This protocol measures the cytotoxic or cytostatic effects of **DD0-2363** on A549 cells.

Materials:

- A549 cells
- **DD0-2363** stock solution (10 mM in DMSO)
- Complete RPMI-1640 medium
- 96-well flat-bottom plates
- MTT (3-(4,5-dimethylthiazol-2-yl)-2,5-diphenyltetrazolium bromide) reagent (5 mg/mL in PBS)
- DMSO

Procedure:

- Cell Seeding: Trypsinize and count A549 cells. Seed 5,000 cells per well in 100 μ L of complete medium into a 96-well plate. Incubate for 24 hours.
- Compound Treatment: Prepare serial dilutions of **DD0-2363** in complete medium. Remove the existing medium from the wells and add 100 μ L of the diluted compound. Ensure the final DMSO concentration is below 0.1%.
- Incubation: Incubate the plate for 48 hours at 37°C.
- MTT Addition: Add 20 μ L of MTT reagent to each well and incubate for an additional 4 hours.
- Formazan Solubilization: Carefully aspirate the medium and add 150 μ L of DMSO to each well.
- Data Acquisition: Measure the absorbance at 570 nm using a microplate reader.

Western Blot Analysis of Protein Expression

This protocol is designed to assess the impact of **DD0-2363** on specific protein expression levels, particularly within the MAPK signaling cascade.

Materials:

- A549 cells
- **DD0-2363**
- 6-well plates
- RIPA lysis buffer with protease and phosphatase inhibitors
- BCA Protein Assay Kit
- Primary antibodies (e.g., anti-p-ERK, anti-ERK, anti- β -actin)
- HRP-conjugated secondary antibodies
- Chemiluminescent substrate

Procedure:

- Cell Treatment: Seed A549 cells in 6-well plates. At 70-80% confluency, treat with **DD0-2363** at the desired concentrations for 24 hours.
- Protein Extraction: Lyse the cells using RIPA buffer and quantify the total protein concentration.
- SDS-PAGE and Transfer: Separate 20-30 μ g of protein per lane on an SDS-PAGE gel and transfer to a PVDF membrane.
- Immunoblotting: Block the membrane and probe with specific primary antibodies, followed by incubation with HRP-conjugated secondary antibodies.
- Detection: Visualize protein bands using a chemiluminescent substrate and an appropriate imaging system.

Quantitative Data Summary

The following tables summarize the expected quantitative outcomes from the described experiments.

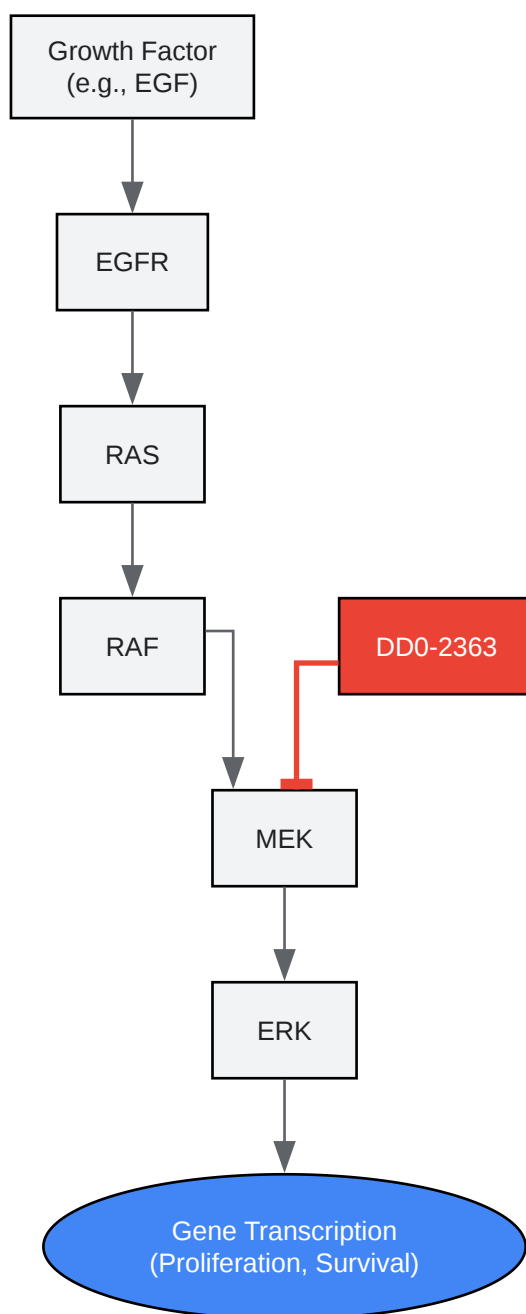
Table 1: Cytotoxicity of **DD0-2363** on A549 Cells (IC50 Determination)

DD0-2363 Concentration (μM)	Mean Cell Viability (%)	Standard Deviation
0 (Vehicle Control)	100.0	± 5.2
0.1	95.3	± 4.8
1	78.1	± 6.1
5	51.2	± 4.5
10	22.7	± 3.9
25	8.4	± 2.1
Calculated IC50 (μM)	4.9	

Table 2: Modulation of p-ERK/ERK Ratio by **DD0-2363**

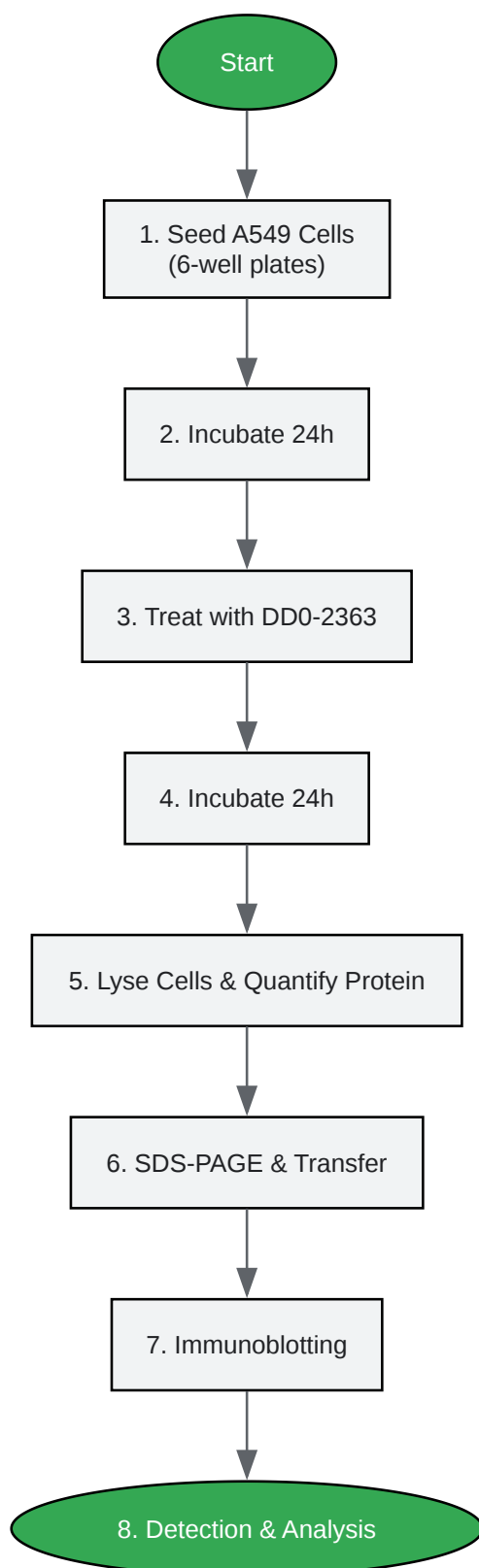
DD0-2363 Concentration (μM)	Relative p-ERK/ERK Ratio (Normalized)
0 (Vehicle Control)	1.00
1	0.75
5	0.31
10	0.12

Diagrams and Visualizations



[Click to download full resolution via product page](#)

Caption: Proposed mechanism of **DD0-2363** as a MEK inhibitor in the MAPK pathway.



[Click to download full resolution via product page](#)

Caption: Experimental workflow for Western Blot analysis of **DD0-2363** effects.

- To cite this document: BenchChem. [Application Notes: DD0-2363 Experimental Protocol for Cell Culture]. BenchChem, [2026]. [Online PDF]. Available at: [<https://www.benchchem.com/product/b15580351/docs#application-notes-dd0-2363-experimental-protocol-for-cell-culture>]

Disclaimer & Data Validity:

The information provided in this document is for Research Use Only (RUO) and is strictly not intended for diagnostic or therapeutic procedures. While BenchChem strives to provide accurate protocols, we make no warranties, express or implied, regarding the fitness of this product for every specific experimental setup.

Technical Support: The protocols provided are for reference purposes. Unsure if this reagent suits your experiment?

Need Industrial/Bulk Grade? [Request Custom Synthesis Quote](#)

BenchChem

Our mission is to be the trusted global source of essential and advanced chemicals, empowering scientists and researchers to drive progress in science and industry.

Contact

Address: 3281 E Guasti Rd
Ontario, CA 91761, United States
Phone: (601) 213-4426
Email: info@benchchem.com

[Contact our Ph.D. Support Team for a compatibility check](#)