

Comparative Guide to Ulcerative Colitis Therapies: An Overview for Researchers

Author: BenchChem Technical Support Team. **Date:** April 2026

Compound of Interest

Compound Name: TOP1210

Cat. No.: B15578661

[Get Quote](#)

An Objective Analysis of a Discontinued Investigational Agent and Current Therapeutic Alternatives

Initial searches for "**TOP1210**" did not yield any relevant information on a therapeutic agent for ulcerative colitis (UC). It is presumed this may be a typographical error or an internal designation not publicly disclosed. Further investigation into a similarly named compound, TOP-1288, revealed it to be a discontinued investigational drug. This guide provides a summary of the available information on TOP-1288 and a comprehensive comparison with established and recently approved treatments for moderate-to-severe ulcerative colitis, focusing on their mechanisms of action, clinical efficacy, and safety profiles.

TOP-1288: An Investigational Narrow Spectrum Kinase Inhibitor

TOP-1288, developed by TopiVert Pharma, was a novel, topically acting narrow spectrum kinase inhibitor (NSKI) designed to treat ulcerative colitis with minimal systemic absorption.[1] [2] The proposed mechanism of action involved the inhibition of key kinases in the inflammatory cascade within the colon.[3]

Phase 1 and 2a clinical trials for TOP-1288 were completed; however, the publically available data is limited and dated. A Phase 1 study suggested that a rectal formulation of TOP-1288 was well-tolerated and resulted in minimal systemic exposure.[2] A subsequent Phase 2a proof-of-concept study in patients with UC showed some clinically relevant changes, but a high placebo response rate rendered the efficacy data uninterpretable.[2][4][5] There have been no recent updates on the clinical development of TOP-1288, and it is not an approved therapy. Due to the lack of robust, recent clinical data, a direct quantitative comparison with other therapies is not feasible.

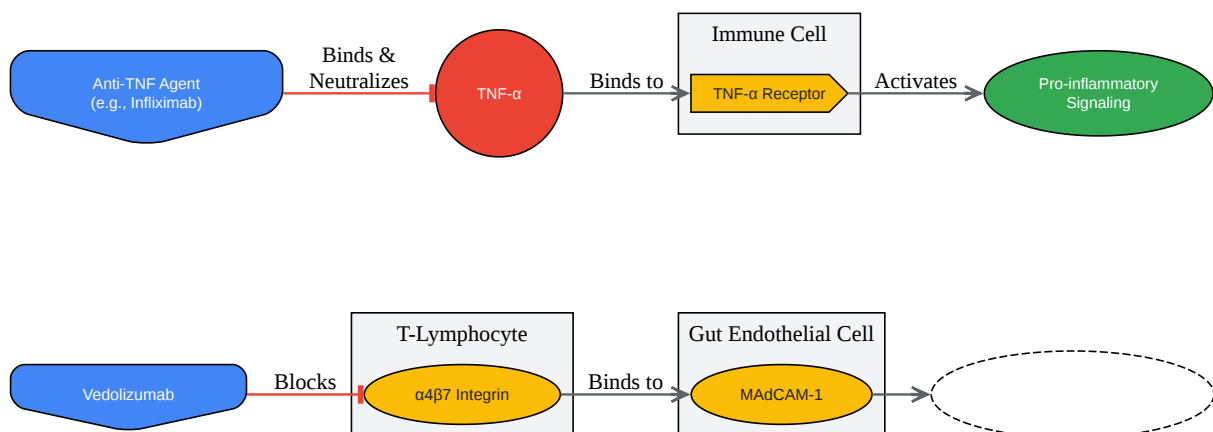
Comparison of Major Therapeutic Classes for Ulcerative Colitis

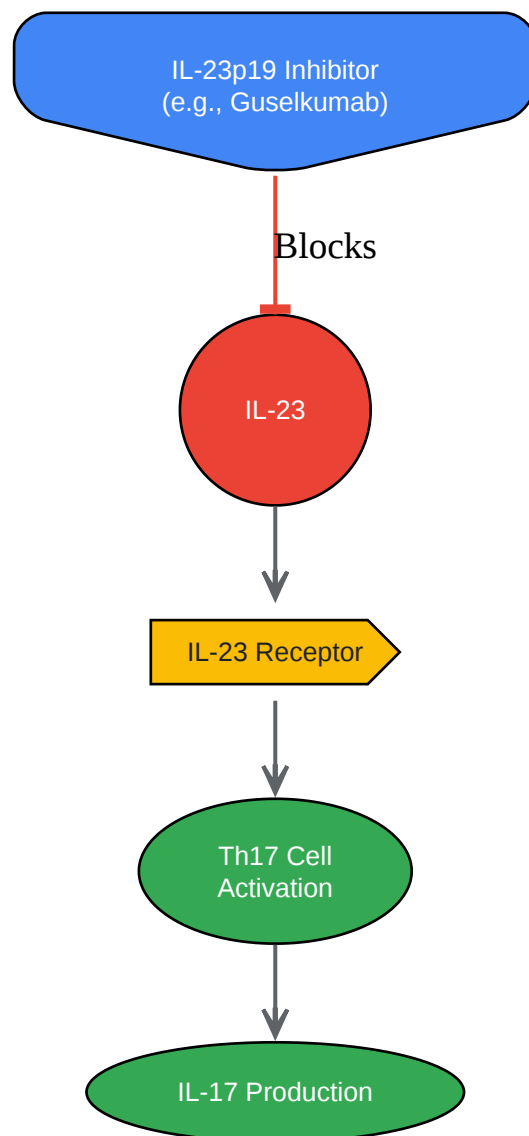
The following sections provide a detailed comparison of the primary classes of advanced therapies for moderate-to-severe ulcerative colitis.

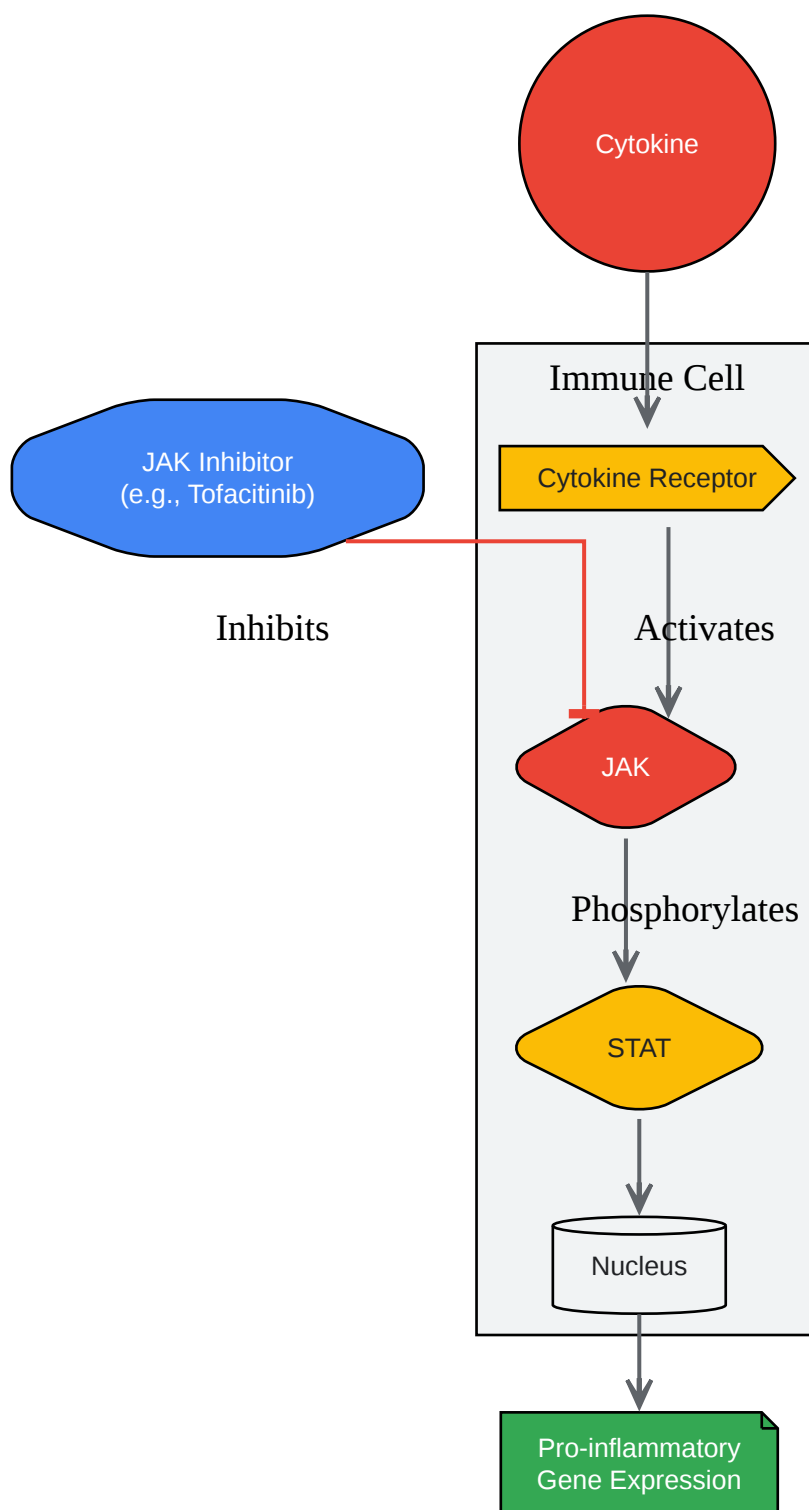
Anti-Tumor Necrosis Factor (TNF) Agents

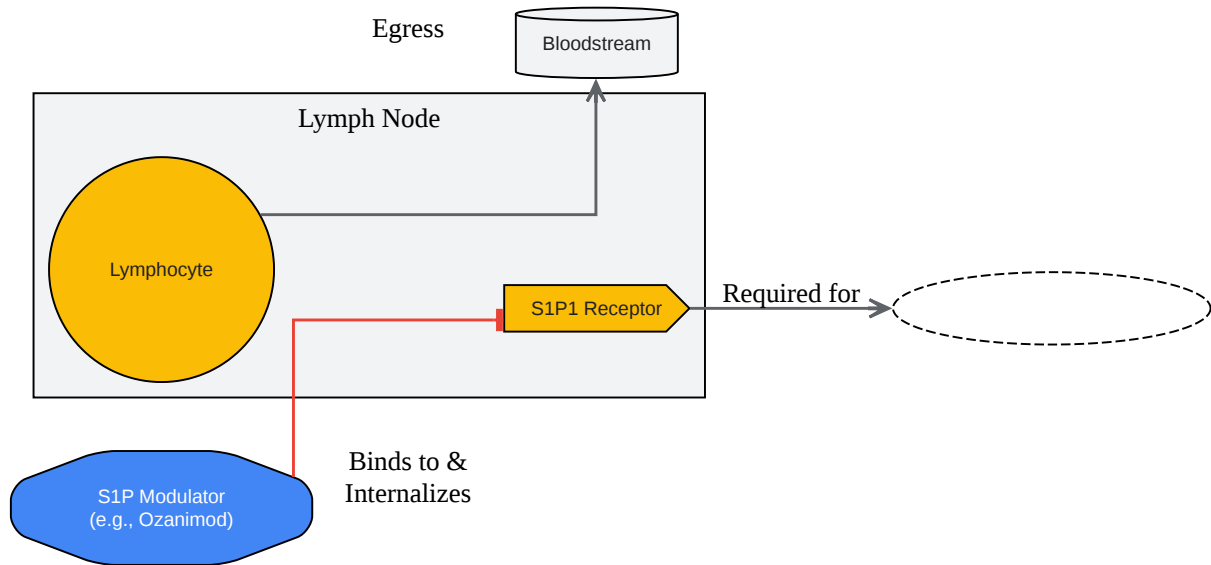
Anti-TNF agents are monoclonal antibodies that bind to and neutralize tumor necrosis factor-alpha (TNF- α), a key pro-inflammatory cytokine.[6][7][8][9]

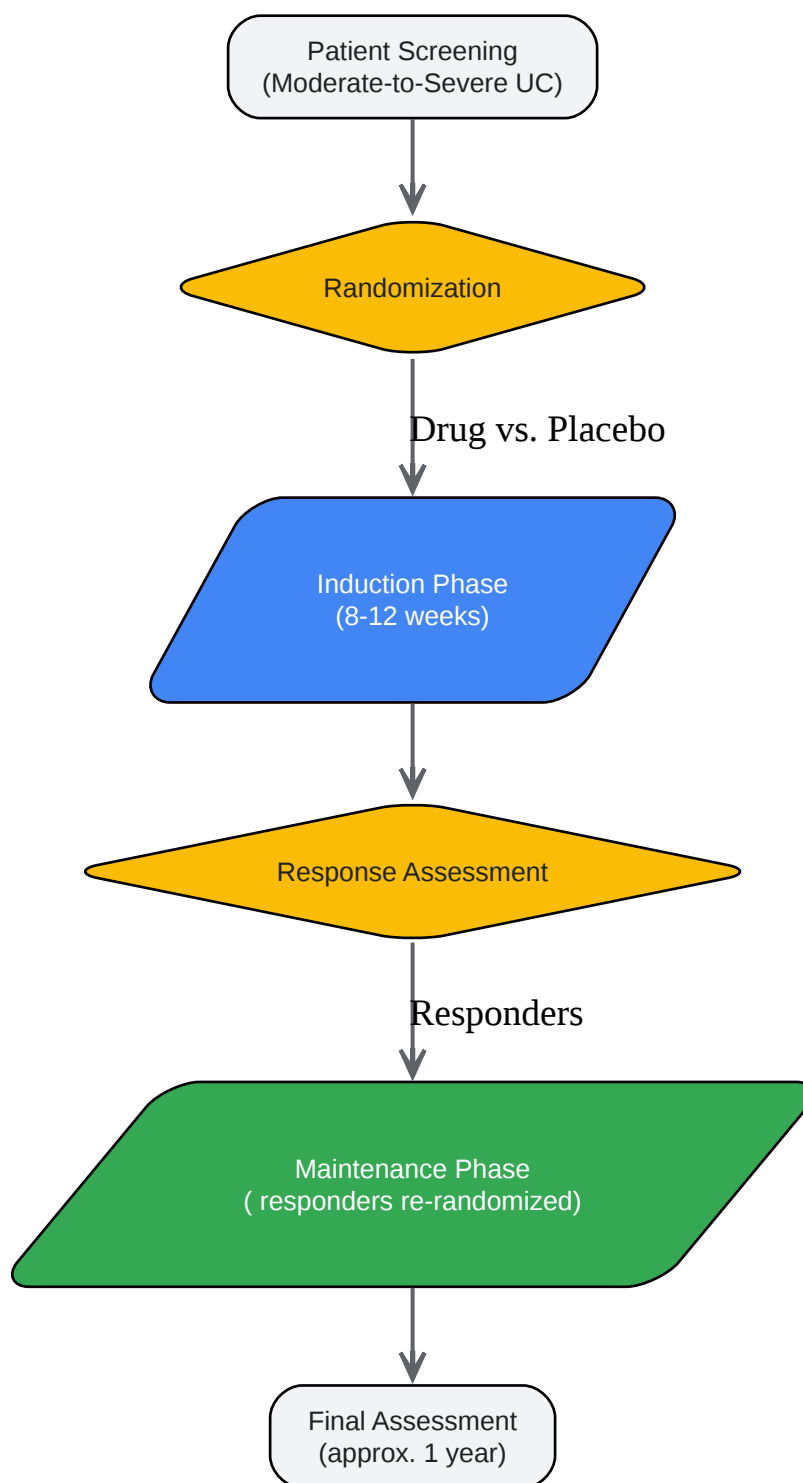
Mechanism of Action: By blocking TNF- α , these agents reduce inflammation in the gut, promote mucosal healing, and can induce and maintain remission.[6][7][8][9]











[Click to download full resolution via product page](#)

Need Custom Synthesis?

BenchChem offers custom synthesis for rare earth carbides and specific isotopic labeling.

Email: info@benchchem.com or [Request Quote Online](#).

References

- [1. | BioWorld \[bioworld.com\]](#)
- [2. ClinicalTrials.gov \[clinicaltrials.gov\]](#)
- [3. academic.oup.com \[academic.oup.com\]](#)
- [4. go.drugbank.com \[go.drugbank.com\]](#)
- [5. rns-pdf.londonstockexchange.com \[rns-pdf.londonstockexchange.com\]](#)
- [6. Humira Mechanism of Action – My Endo Consult \[myendoconsult.com\]](#)
- [7. go.drugbank.com \[go.drugbank.com\]](#)
- [8. Adalimumab - Wikipedia \[en.wikipedia.org\]](#)
- [9. Humira: Uses, Dosage, Side Effects, Warnings - Drugs.com \[drugs.com\]](#)
- To cite this document: BenchChem. [Comparative Guide to Ulcerative Colitis Therapies: An Overview for Researchers]. BenchChem, [2026]. [Online PDF]. Available at: [\[https://www.benchchem.com/product/b15578661/docs#comparative-guide-to-ulcerative-colitis-therapies-an-overview-for-researchers\]](https://www.benchchem.com/product/b15578661/docs#comparative-guide-to-ulcerative-colitis-therapies-an-overview-for-researchers)

Disclaimer & Data Validity:

The information provided in this document is for Research Use Only (RUO) and is strictly not intended for diagnostic or therapeutic procedures. While BenchChem strives to provide accurate protocols, we make no warranties, express or implied, regarding the fitness of this product for every specific experimental setup.

Technical Support: The protocols provided are for reference purposes. Unsure if this reagent suits your experiment?

Need Industrial/Bulk Grade? [Request Custom Synthesis Quote](#)

BenchChem

Our mission is to be the trusted global source of essential and advanced chemicals, empowering scientists and researchers to drive progress in science and industry.

Contact

Address: 3281 E Guasti Rd

Ontario, CA 91761, United States

Phone: (601) 213-4426

Email: info@benchchem.com

[Contact our Ph.D. Support Team for a compatibility check](#)