

# Application Notes and Protocols: Preparation of L162389 Stock Solutions

**Author:** BenchChem Technical Support Team. **Date:** April 2026

## Compound of Interest

Compound Name: L162389  
Cat. No.: B15572658

[Get Quote](#)

To Researchers, Scientists, and Drug Development Professionals:

The following application notes and protocols are designed to provide a comprehensive guide for the preparation of stock solutions for the compound **L162389**. Due to the limited publicly available information on **L162389**, the following protocols are based on general best practices for handling and preparing stock solutions of novel research compounds. It is imperative that the user consults any available in-house data or supplier-specific information for **L162389** to ensure the accuracy and appropriateness of these procedures.

## Compound Information

A thorough search of publicly accessible chemical and biological databases did not yield specific information regarding the chemical structure, molecular weight, solubility, or mechanism of action for a compound designated "**L162389**." The information that could be tangentially related suggests it may be an experimental anti-tumor agent.[1] Without definitive data, the following recommendations are based on general laboratory procedures for creating stock solutions of small molecules.

Table 1: Hypothetical Compound Properties for **L162389**

Property	Value	Notes
Molecular Weight ( g/mol )	User to Input	Crucial for accurate molar concentration calculations.
Solubility	User to Determine	Initial solubility tests in common solvents (DMSO, Ethanol, DMF, Water) are recommended.
Purity (%)	User to Verify	Refer to the Certificate of Analysis (CoA) from the supplier.
Storage Conditions	-20°C or -80°C	Recommended for long-term stability of most research compounds. Protect from light and moisture.

## General Recommendations for Handling and Storage

- Personal Protective Equipment (PPE): Always wear appropriate PPE, including a lab coat, safety glasses, and gloves, when handling **L162389**.
- Ventilation: Work in a well-ventilated area, preferably a chemical fume hood, especially when handling powdered compounds or volatile solvents.
- Storage of Dry Compound: Store the solid form of **L162389** at the recommended temperature, tightly sealed to prevent moisture absorption and degradation.
- Storage of Stock Solutions: Aliquot stock solutions into single-use volumes to avoid repeated freeze-thaw cycles, which can lead to compound degradation.<sup>[2][3]</sup> Store aliquots at -20°C or -80°C in tightly sealed vials.

## Experimental Protocol: Preparation of a 10 mM Stock Solution in DMSO

This protocol describes the preparation of a 10 mM stock solution of **L162389** in dimethyl sulfoxide (DMSO). DMSO is a common solvent for dissolving a wide range of small molecules for in vitro and in vivo studies.

Materials:

- **L162389** (powder form)
- Anhydrous Dimethyl Sulfoxide (DMSO)
- Calibrated analytical balance
- Microcentrifuge tubes or amber glass vials
- Vortex mixer
- Pipettes and sterile pipette tips

Procedure:

- Determine the Mass of **L162389**:
  - Calculate the mass of **L162389** required to make the desired volume of a 10 mM stock solution using the following formula:  $\text{Mass (mg)} = 10 \text{ mM} * \text{Molecular Weight ( g/mol )} * \text{Volume (L)}$
  - Example: To prepare 1 mL (0.001 L) of a 10 mM stock solution of a compound with a molecular weight of 450 g/mol :  $\text{Mass (mg)} = 10 * 450 * 0.001 = 4.5 \text{ mg}$
- Weighing the Compound:
  - Carefully weigh the calculated mass of **L162389** using a calibrated analytical balance.
  - Transfer the weighed powder to an appropriately sized microcentrifuge tube or amber glass vial.
- Dissolving the Compound:

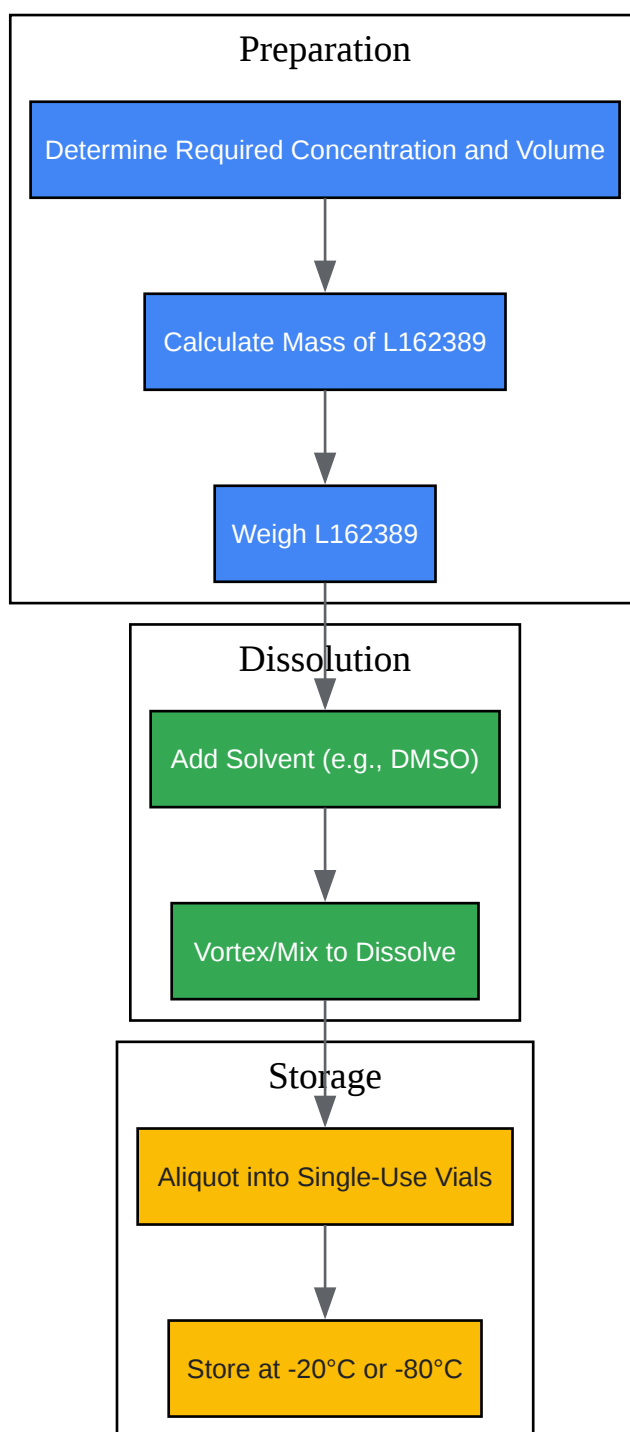
- Add the desired volume of anhydrous DMSO to the tube/vial containing the **L162389** powder.
- Vortex the solution thoroughly until the compound is completely dissolved. Gentle warming in a water bath (not exceeding 40°C) may be necessary to aid dissolution, but this should be tested for its effect on compound stability.
- Storage:
  - Aliquot the stock solution into smaller, single-use volumes in tightly sealed vials.
  - Label each aliquot clearly with the compound name, concentration, solvent, and date of preparation.
  - Store the aliquots at -20°C or -80°C, protected from light.

Table 2: Example Volumes for Preparing a 10 mM Stock Solution

Desired Final Volume	Mass of L162389 (assuming MW = 450 g/mol )	Volume of DMSO
1 mL	4.5 mg	1 mL
5 mL	22.5 mg	5 mL
10 mL	45.0 mg	10 mL

## Experimental Workflow and Logic

The following diagram illustrates the general workflow for preparing a stock solution of a research compound like **L162389**.

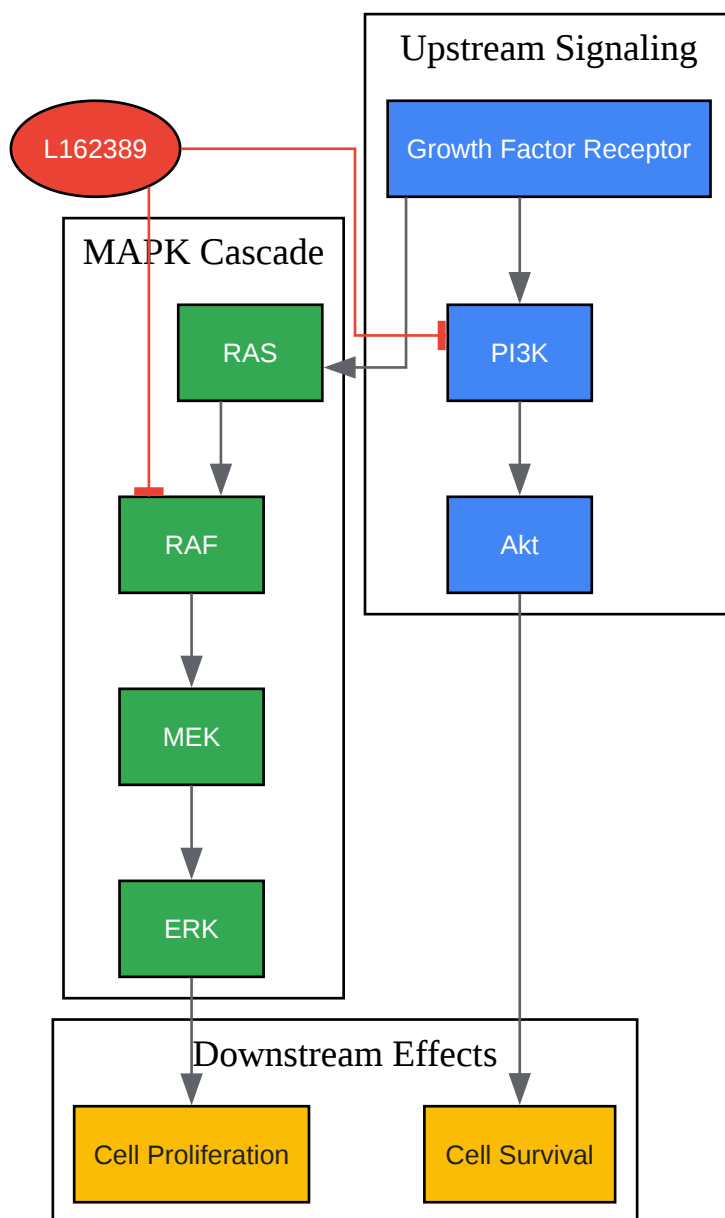


[Click to download full resolution via product page](#)

Workflow for **L162389** Stock Solution Preparation.

## Hypothetical Signaling Pathway Involvement

Given that some related compounds show anti-tumor activity, **L162389** might interfere with signaling pathways crucial for cancer cell proliferation and survival.[1] Common pathways implicated in cancer include the MAPK and PI3K pathways.[4][5] The diagram below illustrates a simplified, hypothetical signaling cascade that a compound like **L162389** could potentially inhibit.



[Click to download full resolution via product page](#)

Hypothetical Inhibition of Pro-Survival Signaling by **L162389**.

Disclaimer: The information provided in these application notes is for guidance purposes only. The user is solely responsible for determining the suitability of these protocols for their specific research needs and for conducting all necessary safety assessments. It is highly recommended to perform small-scale pilot experiments to determine the optimal conditions for preparing and storing **L162389** stock solutions.

### Need Custom Synthesis?

BenchChem offers custom synthesis for rare earth carbides and specific isotopic labeling.

Email: [info@benchchem.com](mailto:info@benchchem.com) or [Request Quote Online](#).

## References

- [1. Investigations on the mechanism of action of the novel antitumor agents 2-benzothiazolyl, 2-benzoxazolyl, and 2-benzimidazolyl hydrazones derived from 2-acetylpyridine - PubMed \[pubmed.ncbi.nlm.nih.gov\]](#)
- [2. phytotechlab.com \[phytotechlab.com\]](#)
- [3. enfanos.com \[enfanos.com\]](#)
- [4. Signaling Pathways Driving Aberrant Splicing in Cancer Cells \[mdpi.com\]](#)
- [5. Analysis of signaling pathways in 90 cancer cell lines by protein lysate array - PubMed \[pubmed.ncbi.nlm.nih.gov\]](#)
- To cite this document: BenchChem. [Application Notes and Protocols: Preparation of L162389 Stock Solutions]. BenchChem, [2026]. [Online PDF]. Available at: [\[https://www.benchchem.com/product/b15572658/docs#application-notes-and-protocols-preparation-of-l162389-stock-solutions\]](https://www.benchchem.com/product/b15572658/docs#application-notes-and-protocols-preparation-of-l162389-stock-solutions)

---

### Disclaimer & Data Validity:

The information provided in this document is for Research Use Only (RUO) and is strictly not intended for diagnostic or therapeutic procedures. While BenchChem strives to provide accurate protocols, we make no warranties, express or implied, regarding the fitness of this product for every specific experimental setup.

**Technical Support:** The protocols provided are for reference purposes. Unsure if this reagent suits your experiment?

**Need Industrial/Bulk Grade?** [Request Custom Synthesis Quote](#)

## BenchChem

Our mission is to be the trusted global source of essential and advanced chemicals, empowering scientists and researchers to drive progress in science and industry.

### Contact

Address: 3281 E Guasti Rd  
Ontario, CA 91761, United States  
Phone: (601) 213-4426  
Email: [info@benchchem.com](mailto:info@benchchem.com)

[Contact our Ph.D. Support Team for a compatibility check](#)