

Application Notes and Protocols for Utilizing GSK8814 in a NanoBRET™ Assay

Author: BenchChem Technical Support Team. **Date:** April 2026

Compound of Interest

Compound Name: GSK8814
Cat. No.: B15571154

[Get Quote](#)

Audience: Researchers, scientists, and drug development professionals.

Introduction

GSK8814 is a potent and selective chemical probe for the bromodomain of ATPase family AAA domain-containing protein 2 (ATAD2).[1][2][3] ATAD2 is an epigenetic reader protein implicated in various cancers, making it an attractive therapeutic target.[4][5] The NanoBRET™ Target Engagement (TE) assay is a proximity-based cellular assay that allows for the quantitative measurement of compound binding to a specific protein target in live cells. This document provides a detailed protocol for using **GSK8814** in a NanoBRET™ TE assay to measure its engagement with the ATAD2 bromodomain.

Principle of the NanoBRET™ Target Engagement Assay

The NanoBRET™ TE assay is based on Bioluminescence Resonance Energy Transfer (BRET), a process of energy transfer between a bioluminescent donor and a fluorescent acceptor. In this application, the ATAD2 protein is fused to the bright NanoLuc® luciferase (the donor), and a cell-permeable fluorescent tracer that binds to the ATAD2 bromodomain acts as

the acceptor. When the tracer binds to the ATAD2-NanoLuc® fusion protein, the close proximity allows for energy transfer, resulting in a BRET signal. A test compound, such as **GSK8814**, that binds to the ATAD2 bromodomain will compete with the tracer, leading to a decrease in the BRET signal in a dose-dependent manner.

Data Presentation

Quantitative Data Summary for GSK8814 and Control Compound

Compound	Target	Assay Type	Value	Unit	Reference
GSK8814	ATAD2	NanoBRET™ TE	2	μM (EC50)	
ATAD2	Isothermal Titration Calorimetry (ITC)	8.1	pKd		
ATAD2	BROMOscan	8.9	pKi		
ATAD2	TR-FRET	7.3	pIC50		
ATAD2B	TR-FRET	7.7	pIC50		
BRD4 (BD1)	TR-FRET	4.6	pIC50		
GSK8815 (Negative Control)	ATAD2	Isothermal Titration Calorimetry (ITC)	5.5	pKd	
ATAD2	TR-FRET	5.5	pIC50		
ATAD2B	TR-FRET	5.5	pIC50		

Experimental Protocols

Materials

- HEK293 cells (or other suitable cell line)

- DMEM with 10% FBS
- Opti-MEM™ I Reduced Serum Medium
- Plasmid encoding NanoLuc®-ATAD2 bromodomain fusion protein
- Plasmid encoding Histone H3.3-HaloTag® fusion protein (as the interacting partner for the BRET assay)
- FuGENE® HD Transfection Reagent
- NanoBRET™ Tracer specific for ATAD2 (concentration to be optimized)
- **GSK8814**
- GSK8815 (negative control)
- DMSO
- NanoBRET™ Nano-Glo® Substrate
- Extracellular NanoLuc® Inhibitor
- White, tissue culture-treated 96-well or 384-well plates
- Luminometer capable of measuring donor and acceptor emission wavelengths (e.g., 460 nm and 618 nm)

Methods

Day 1: Cell Plating and Transfection

- Culture HEK293 cells in DMEM supplemented with 10% FBS.
- On the day of transfection, prepare a cell suspension in Opti-MEM™.
- Prepare the transfection mix by combining the NanoLuc®-ATAD2 bromodomain and Histone H3.3-HaloTag® plasmids with FuGENE® HD Transfection Reagent according to the manufacturer's protocol.

- Add the transfection mix to the cell suspension.
- Seed the transfected cells into a white, tissue culture-treated 96-well or 384-well plate at an appropriate density.
- Incubate at 37°C in a CO2 incubator for 24 hours.

Day 2: Compound Treatment and Lysis

- Prepare serial dilutions of **GSK8814** and the negative control GSK8815 in Opti-MEM™. A typical concentration range to test for **GSK8814** would be from 0.01 µM to 100 µM.
- Prepare the NanoBRET™ Tracer dilution in Opti-MEM™. The optimal tracer concentration should be determined experimentally but is typically around its EC50 value for binding to the target.
- Carefully remove the culture medium from the wells.
- Add the compound dilutions and the tracer to the appropriate wells. Include wells with tracer only (no compound) and wells with cells only (no compound, no tracer) as controls.
- Incubate the plate at 37°C in a CO2 incubator for the desired equilibrium time (e.g., 2-4 hours).
- Prepare the NanoBRET™ Nano-Glo® Substrate solution containing the Extracellular NanoLuc® Inhibitor according to the manufacturer's protocol.
- Add the substrate solution to all wells.
- Incubate at room temperature for 3-5 minutes to allow for signal stabilization.

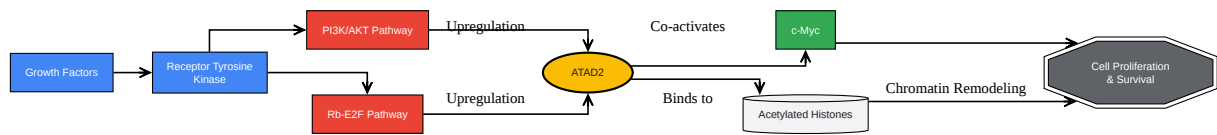
Data Acquisition and Analysis

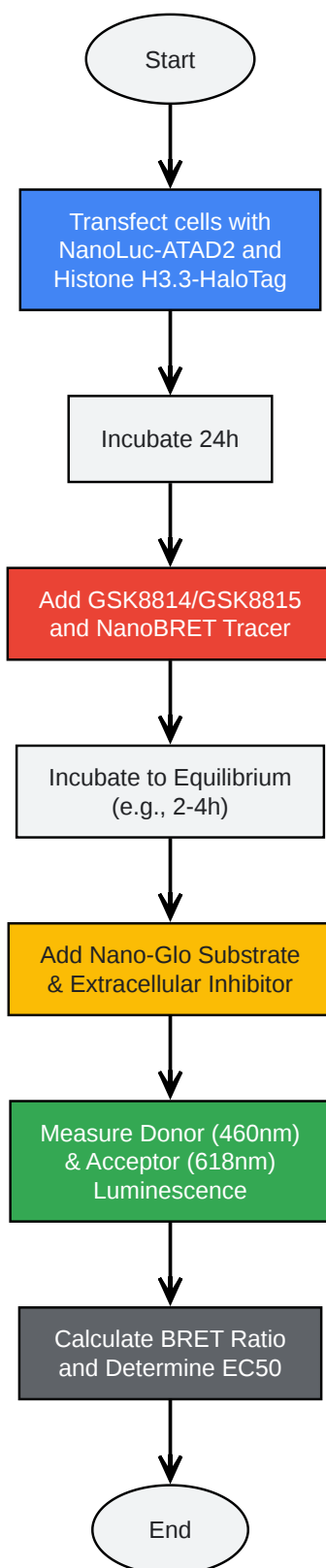
- Measure the luminescence signal at the donor emission wavelength (e.g., 460 nm) and the acceptor emission wavelength (e.g., 618 nm) using a luminometer.
- Calculate the raw BRET ratio for each well by dividing the acceptor signal by the donor signal.

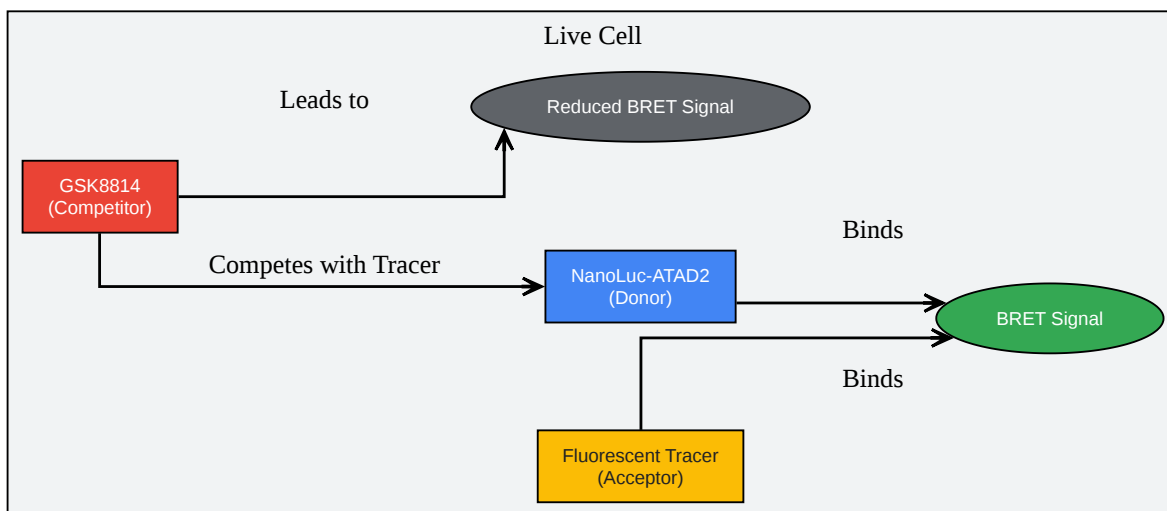
- Normalize the BRET ratios to the vehicle control (tracer only).
- Plot the normalized BRET ratio against the logarithm of the compound concentration.
- Fit the data to a sigmoidal dose-response curve to determine the IC50 or EC50 value for **GSK8814**. The EC50 for **GSK8814** in this assay has been reported to be 2 μ M.

Visualizations

ATAD2 Signaling Pathway







[Click to download full resolution via product page](#)

Need Custom Synthesis?

BenchChem offers custom synthesis for rare earth carbides and specific isotopic labeling.

Email: info@benchchem.com or [Request Quote Online](#).

References

- [1. GSK8814 | Structural Genomics Consortium \[thesgc.org\]](#)
- [2. medkoo.com \[medkoo.com\]](#)
- [3. medchemexpress.com \[medchemexpress.com\]](#)
- [4. Emerging oncogene ATAD2: Signaling cascades and therapeutic initiatives - PubMed \[pubmed.ncbi.nlm.nih.gov\]](#)
- [5. ATPase family AAA domain-containing protein 2 \(ATAD2\): From an epigenetic modulator to cancer therapeutic target \[thno.org\]](#)
- To cite this document: BenchChem. [Application Notes and Protocols for Utilizing GSK8814 in a NanoBRET™ Assay]. BenchChem, [2026]. [Online PDF]. Available at:

[\[https://www.benchchem.com/product/b15571154/docs#application-notes-and-protocols-for-utilizing-gsk8814-in-a-nanobret-assay\]](https://www.benchchem.com/product/b15571154/docs#application-notes-and-protocols-for-utilizing-gsk8814-in-a-nanobret-assay)

Disclaimer & Data Validity:

The information provided in this document is for Research Use Only (RUO) and is strictly not intended for diagnostic or therapeutic procedures. While BenchChem strives to provide accurate protocols, we make no warranties, express or implied, regarding the fitness of this product for every specific experimental setup.

Technical Support: The protocols provided are for reference purposes. Unsure if this reagent suits your experiment?

Need Industrial/Bulk Grade? [Request Custom Synthesis Quote](#)

BenchChem

Our mission is to be the trusted global source of essential and advanced chemicals, empowering scientists and researchers to drive progress in science and industry.

Contact

Address: 3281 E Guasti Rd
Ontario, CA 91761, United States
Phone: (601) 213-4426
Email: info@benchchem.com

[Contact our Ph.D. Support Team for a compatibility check](#)