

Application Notes and Protocols for BE 24566B in Cardiovascular Research

Author: BenchChem Technical Support Team. **Date:** April 2026

Compound of Interest

Compound Name: BE 24566B

Cat. No.: B15568019

[Get Quote](#)

For Researchers, Scientists, and Drug Development Professionals

Compound Identification and Mechanism of Action: BE 24566B as an Endothelin Receptor Antagonist

Initial research into the compound **BE 24566B** reveals that it is not a beta-blocker, but rather a fungal metabolite with a distinct mechanism of action. **BE 24566B** functions as an endothelin (ET) receptor antagonist.^{[1][2][3]} It is a polyketide isolated from *Streptomyces violaceusniger* and also exhibits antibiotic properties against several bacterial strains.^{[1][4]}

In the context of cardiovascular research, its primary interest lies in its ability to block endothelin receptors. The endothelin system plays a crucial role in vascular tone, blood pressure regulation, and the pathophysiology of various cardiovascular diseases. There are two main endothelin receptor subtypes, ETA and ETB, which are involved in vasoconstriction, vasodilation, cell proliferation, and fibrosis. **BE 24566B** has been shown to antagonize both ETA and ETB receptors. This dual antagonism makes it a valuable tool for investigating the roles of the endothelin system in cardiovascular health and disease.

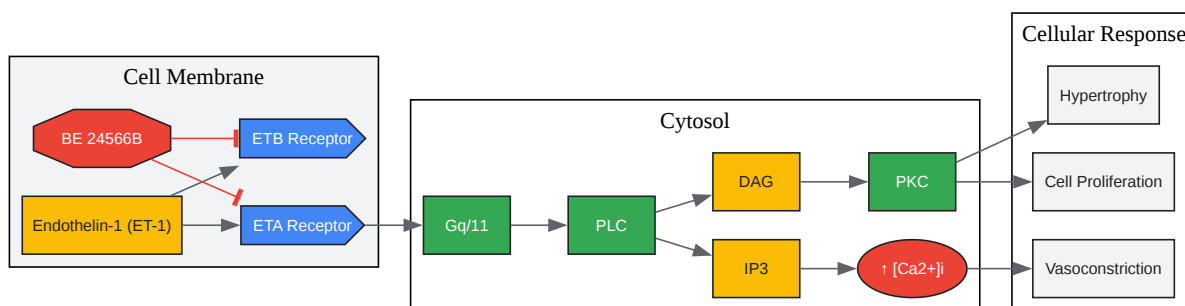
Quantitative Data for BE 24566B

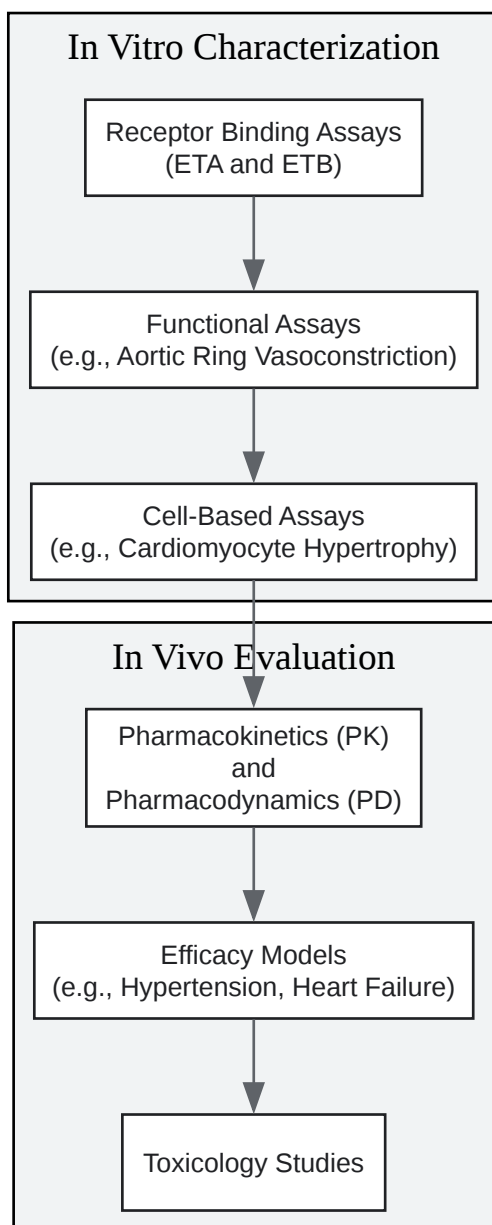
The following table summarizes the reported in vitro activity of **BE 24566B**.

Parameter	Species/System	Value	Reference
Endothelin Receptor Antagonism			
IC50 for ETA Receptor	Not Specified	11 μ M	
IC50 for ETB Receptor	Not Specified	3.9 μ M	
Antibacterial Activity (MIC)			
Bacillus subtilis	1.56 μ g/mL		
Bacillus cereus	1.56 μ g/mL		
Staphylococcus aureus	1.56 μ g/mL		
Micrococcus luteus	1.56 μ g/mL		
Enterococcus faecalis	3.13 μ g/mL		
Streptococcus thermophilus	3.13 μ g/mL		

Signaling Pathways and Experimental Workflows

Endothelin Signaling Pathway and **BE 24566B** Inhibition





[Click to download full resolution via product page](#)

Need Custom Synthesis?

BenchChem offers custom synthesis for rare earth carbides and specific isotopic labeling.

Email: info@benchchem.com or [Request Quote Online](#).

References

- [1. medchemexpress.com \[medchemexpress.com\]](https://www.medchemexpress.com)
- [2. caymanchem.com \[caymanchem.com\]](https://www.caymanchem.com)
- [3. medchemexpress.com \[medchemexpress.com\]](https://www.medchemexpress.com)
- [4. BE-24566B, a new antibiotic produced by Streptomyces violaceusniger - PubMed \[pubmed.ncbi.nlm.nih.gov\]](https://pubmed.ncbi.nlm.nih.gov)
- To cite this document: BenchChem. [Application Notes and Protocols for BE 24566B in Cardiovascular Research]. BenchChem, [2026]. [Online PDF]. Available at: [\[https://www.benchchem.com/product/b15568019/docs#application-notes-and-protocols-for-be-24566b-in-cardiovascular-research\]](https://www.benchchem.com/product/b15568019/docs#application-notes-and-protocols-for-be-24566b-in-cardiovascular-research)

Disclaimer & Data Validity:

The information provided in this document is for Research Use Only (RUO) and is strictly not intended for diagnostic or therapeutic procedures. While BenchChem strives to provide accurate protocols, we make no warranties, express or implied, regarding the fitness of this product for every specific experimental setup.

Technical Support: The protocols provided are for reference purposes. Unsure if this reagent suits your experiment?

Need Industrial/Bulk Grade? [Request Custom Synthesis Quote](#)

BenchChem

Our mission is to be the trusted global source of essential and advanced chemicals, empowering scientists and researchers to drive progress in science and industry.

Contact

Address: 3281 E Guasti Rd
Ontario, CA 91761, United States
Phone: (601) 213-4426
Email: info@benchchem.com

Contact our Ph.D. Support Team for a compatibility check