

# Validating FLS2-Dependent Responses to flg22: A Comparative Guide

**Author:** BenchChem Technical Support Team. **Date:** April 2026

## Compound of Interest

Compound Name: *Flagelin 22*

Cat. No.: *B15567050*

[Get Quote](#)

For Researchers, Scientists, and Drug Development Professionals

This guide provides a comprehensive comparison of key experimental methods used to validate the perception of the bacterial flagellin-derived peptide, flg22, by the pattern recognition receptor FLS2 (FLAGELLIN-SENSING2) in plants. Understanding these validation techniques is crucial for dissecting plant immune signaling and for the development of novel disease resistance strategies.

## Comparative Analysis of Validation Assays

The activation of FLS2 by flg22 triggers a cascade of downstream responses, each of which can be measured to validate the receptor's function. The choice of assay often depends on the specific research question, available equipment, and desired throughput. Below is a summary of commonly used methods with their respective advantages and disadvantages.

Assay	Principle	Throughput	Key Advantages	Key Disadvantages	Typical flg22 Concentration
Reactive Oxygen Species (ROS) Burst Assay	Measures the rapid, transient production of extracellular ROS via a luminol-based chemiluminescence reaction following flg22 treatment.[1][2][3]	High	Rapid and sensitive, providing a real-time readout of an early signaling event.[2] Easily adaptable to a 96-well plate format.[1][4]	Transient signal requires immediate measurement after elicitation. Can be sensitive to handling and leaf disc quality.	100 nM - 1 μM[1][5]
MAP Kinase (MAPK) Activation Assay	Detects the phosphorylation of specific MAP kinases (e.g., MPK3, MPK6) downstream of FLS2 activation using immunoblotting with phospho-specific antibodies or in-gel kinase	Low to Medium	Provides a direct measure of a key signaling cascade activation.[8][9] Can be used to confirm downstream signaling integrity.	Requires protein extraction and western blotting, which is more time-consuming. Less amenable to high-throughput screening.	10 nM - 1 μM[7][9]

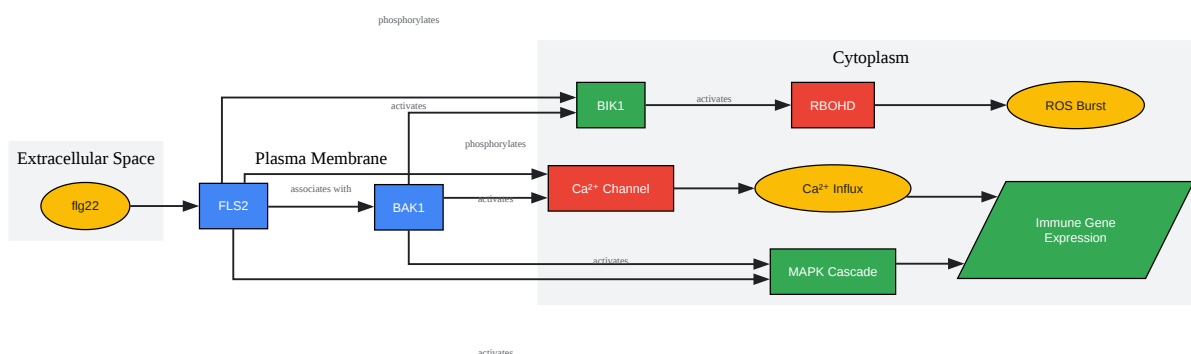
assays.[6][7]

[8][9][10]

Seedling Growth Inhibition Assay	Quantifies the FLS2-dependent inhibition of seedling growth in the presence of flg22 over several days. [5]	High	Simple, cost-effective, and reflects a long-term, integrated physiological response. Suitable for large-scale genetic screens.[5]	Slow, taking 10-14 days to obtain results.[5] Indirect measure of the initial signaling events.	2.5 $\mu$ M - 10 $\mu$ M[5]
Gene Expression Analysis (qRT-PCR)	Measures the upregulation of flg22-responsive genes (e.g., FRK1) at the transcriptional level.[11]	Medium	Allows for the analysis of specific downstream outputs of the signaling pathway. Can reveal nuances in the signaling network.	Requires RNA extraction and reverse transcription. Gene expression changes occur later than initial signaling events.	100 nM - 1 $\mu$ M
Calcium Imaging	Monitors the flg22-induced influx of calcium ions into the cytoplasm using fluorescent biosensors.	Low to Medium	Provides a very early and direct readout of a primary signaling event.[12] Allows for single-cell resolution.	Technically demanding, requiring specialized microscopy and imaging equipment.	100 nM - 1 $\mu$ M

## FLS2 Signaling Pathway

The perception of flg22 by FLS2 initiates a well-characterized signaling cascade. Upon binding flg22, FLS2 rapidly associates with the co-receptor BAK1 (BRI1-ASSOCIATED KINASE 1).[5] [12] This association leads to trans-phosphorylation and the activation of their intracellular kinase domains. The activated receptor complex then phosphorylates downstream components, including BIK1 (BOTRYTIS-INDUCED KINASE 1), which in turn activates NADPH oxidase RBOHD, leading to a burst of reactive oxygen species (ROS).[12] Concurrently, a MAP kinase cascade is activated, and calcium channels are opened, leading to an influx of Ca<sup>2+</sup> ions.[12] These events culminate in transcriptional reprogramming and the induction of immune responses.



[Click to download full resolution via product page](#)

Caption: FLS2 signaling pathway upon flg22 perception.

## Experimental Protocols

### ROS Burst Assay

This protocol is adapted from luminol-based assays described in the literature.[1][2]

#### Methodology:

- **Plant Material:** Use leaf discs (typically 4 mm in diameter) from 4-5 week old Arabidopsis plants.
- **Recovery:** Float the leaf discs, abaxial side up, in a 96-well white plate with 100  $\mu$ L of sterile water per well and incubate overnight in the dark at room temperature to reduce wounding-induced ROS.[1][4]
- **Elicitation:** The next day, replace the water with 100  $\mu$ L of the elicitation solution containing 17  $\mu$ g/mL luminol, 10  $\mu$ g/mL horseradish peroxidase, and the desired concentration of flg22 (e.g., 100 nM).[1] Include a no-flg22 control.
- **Measurement:** Immediately measure the chemiluminescence in a plate reader with a 1-second integration time at 2-minute intervals for 40-60 minutes.[1][4]
- **Data Analysis:** The data is typically presented as total photon counts over the measurement period.

## MAP Kinase Activation Assay

This protocol is based on standard western blotting techniques to detect phosphorylated MAPKs.[6][7][8]

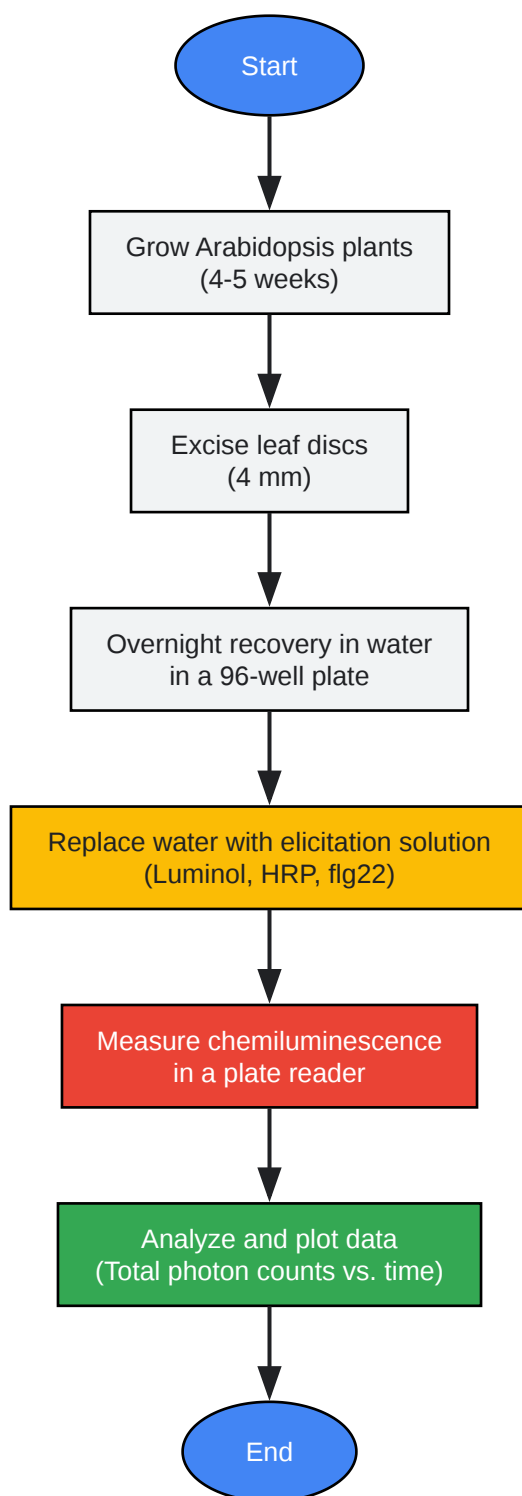
#### Methodology:

- **Plant Material and Treatment:** Use 10-day-old seedlings grown on  $\frac{1}{2}$  MS plates. Transfer seedlings into a six-well plate containing sterile water and allow them to acclimate overnight. [6] Treat the seedlings with 1  $\mu$ M flg22 for 15 minutes.[7] A mock-treated control should be included.
- **Protein Extraction:** Quickly harvest the seedlings, freeze them in liquid nitrogen, and grind to a fine powder.[7] Add 2x SDS-PAGE loading buffer, vortex, and boil for 5-10 minutes.[7]
- **Western Blotting:** Centrifuge the samples to pellet debris and load the supernatant onto an SDS-PAGE gel.[7] After electrophoresis, transfer the proteins to a PVDF membrane.

- Immunodetection: Block the membrane and probe with a primary antibody specific for phosphorylated p44/42 MAPK (Erk1/2).[8] After washing, incubate with a secondary antibody conjugated to HRP.
- Detection: Detect the signal using a chemiluminescence substrate. The appearance of bands corresponding to the molecular weights of MPK3 and MPK6 indicates their activation.

## Experimental Workflow: ROS Burst Assay

The following diagram illustrates a typical workflow for conducting a ROS burst assay to validate FLS2-dependent responses.



[Click to download full resolution via product page](#)

Caption: Workflow for a luminol-based ROS burst assay.

### Need Custom Synthesis?

BenchChem offers custom synthesis for rare earth carbides and specific isotopic labeling.

Email: [info@benchchem.com](mailto:info@benchchem.com) or [Request Quote Online](#).

## References

- 1. Phosphorylation Dynamics in a flg22-Induced, G Protein–Dependent Network Reveals the AtRGS1 Phosphatase - PMC [[pmc.ncbi.nlm.nih.gov](https://pubmed.ncbi.nlm.nih.gov/)]
- 2. A re-elicitation assay to correlate flg22-signaling competency with ligand-induced endocytic degradation of the FLS2 receptor - PubMed [[pubmed.ncbi.nlm.nih.gov](https://pubmed.ncbi.nlm.nih.gov/)]
- 3. [researchgate.net](https://researchgate.net/) [[researchgate.net](https://researchgate.net/)]
- 4. [youtube.com](https://youtube.com/) [[youtube.com](https://youtube.com/)]
- 5. [academic.oup.com](https://academic.oup.com/) [[academic.oup.com](https://academic.oup.com/)]
- 6. MAPK activation assay [[bio-protocol.org](https://bio-protocol.org/)]
- 7. MAPK Phosphorylation Assay with Leaf Disks of Arabidopsis [[bio-protocol.org](https://bio-protocol.org/)]
- 8. MAPK Phosphorylation Assay with Leaf Disks of Arabidopsis [[en.bio-protocol.org](https://en.bio-protocol.org/)]
- 9. [molbio.mgh.harvard.edu](https://molbio.mgh.harvard.edu/) [[molbio.mgh.harvard.edu](https://molbio.mgh.harvard.edu/)]
- 10. [researchgate.net](https://researchgate.net/) [[researchgate.net](https://researchgate.net/)]
- 11. [academic.oup.com](https://academic.oup.com/) [[academic.oup.com](https://academic.oup.com/)]
- 12. [researchgate.net](https://researchgate.net/) [[researchgate.net](https://researchgate.net/)]
- To cite this document: BenchChem. [Validating FLS2-Dependent Responses to flg22: A Comparative Guide]. BenchChem, [2026]. [Online PDF]. Available at: [<https://www.benchchem.com/product/b15567050/docs#validating-fls2-dependent-responses-to-flg22-a-comparative-guide>]

---

### Disclaimer & Data Validity:

The information provided in this document is for Research Use Only (RUO) and is strictly not intended for diagnostic or therapeutic procedures. While BenchChem strives to provide accurate protocols, we make no warranties, express or implied, regarding the fitness of this product for every specific experimental setup.

**Technical Support:** The protocols provided are for reference purposes. Unsure if this reagent suits your experiment?

**Need Industrial/Bulk Grade?** [Request Custom Synthesis Quote](#)

## BenchChem

Our mission is to be the trusted global source of essential and advanced chemicals, empowering scientists and researchers to drive progress in science and industry.

### Contact

Address: 3281 E Guasti Rd  
Ontario, CA 91761, United States  
Phone: (601) 213-4426  
Email: [info@benchchem.com](mailto:info@benchchem.com)

[Contact our Ph.D. Support Team for a compatibility check](#)