

Receptor Specificity of fMIFL: A Comparative Guide for FPR1 vs. FPR2

Author: BenchChem Technical Support Team. **Date:** April 2026

Compound of Interest

Compound Name: *fMIFL*
Cat. No.: *B15567084*

[Get Quote](#)

For Researchers, Scientists, and Drug Development Professionals

The N-formyl peptide fMet-Ile-Phe-Leu (**fMIFL**), a potent chemoattractant peptide derived from *Staphylococcus aureus*, plays a significant role in initiating the innate immune response by activating formyl peptide receptors (FPRs). Understanding the nuanced interactions of **fMIFL** with different FPR subtypes is crucial for dissecting inflammatory pathways and for the development of targeted therapeutics. This guide provides a comprehensive comparison of the receptor specificity of **fMIFL** for FPR1 versus FPR2, supported by experimental data, detailed methodologies, and signaling pathway visualizations.

Quantitative Data Summary: fMIFL Activity at FPR1 and FPR2

The available data consistently demonstrates that **fMIFL** is a potent and selective agonist for FPR1, while exhibiting significantly weaker activity at FPR2. This differential activation is critical for its role in orchestrating neutrophil responses to bacterial infection.

Parameter	FPR1	FPR2	Reference
Binding Affinity (Kd)	High Affinity (nanomolar range implied by functional data)	Low Affinity (significantly higher than FPR1)	[1][2]
Functional Potency (EC50) - Calcium Mobilization	Potent (nanomolar range)	Weak (micromolar range or no response at lower concentrations)	[1][2]
Functional Potency (EC50) - ROS Production	Potent (e.g., ~0.1 nM)	Very Weak (significantly less potent than at FPR1)	[3]
Functional Potency (EC50) - Chemotaxis	Potent	Weak	[4]

Note: Direct comparative studies providing precise head-to-head EC50 and Kd values for **fMIFL** at both human FPR1 and FPR2 are limited in the public domain. The table reflects the consensus from multiple studies on the relative potency of **fMIFL**.

Experimental Protocols

Detailed methodologies are essential for the accurate assessment of **fMIFL**'s receptor specificity. Below are protocols for key functional assays commonly employed in studying FPR activation in neutrophils.

Calcium Mobilization Assay

This assay measures the increase in intracellular calcium concentration ($[Ca^{2+}]_i$) following receptor activation, a hallmark of Gαq/11-coupled G protein-coupled receptor (GPCR) signaling, which is a downstream consequence of Gαi activation of PLCβ in neutrophils.

Principle: Neutrophils are loaded with a fluorescent calcium indicator (e.g., Fura-2 AM or Fluo-3 AM). Upon binding of **fMIFL** to FPR1 or FPR2, a signaling cascade is initiated, leading to the release of calcium from intracellular stores and influx from the extracellular space. The calcium

indicator dye binds to free cytosolic calcium, resulting in a change in its fluorescence intensity, which can be measured using a fluorometer or a flow cytometer.

Protocol:

- **Neutrophil Isolation:** Isolate human neutrophils from fresh peripheral blood using dextran sedimentation followed by Ficoll-Paque density gradient centrifugation. Lyse remaining red blood cells with hypotonic saline. Resuspend purified neutrophils in a calcium-containing buffer (e.g., Hanks' Balanced Salt Solution with calcium and magnesium, HBSS+).
- **Dye Loading:** Incubate the isolated neutrophils with a calcium-sensitive dye, such as Fura-2 AM (e.g., 2-5 μM), for 30-45 minutes at 37°C in the dark. This allows the acetoxymethyl (AM) ester to be cleaved by intracellular esterases, trapping the dye inside the cells.
- **Washing:** Wash the cells twice with HBSS+ to remove extracellular dye.
- **Cell Resuspension:** Resuspend the cells in HBSS+ at a concentration of $1-2 \times 10^6$ cells/mL.
- **Measurement:**
 - Transfer the cell suspension to a cuvette or a 96-well plate suitable for fluorescence measurement.
 - Establish a baseline fluorescence reading.
 - Add varying concentrations of **fMIFL** to the cells and continuously record the fluorescence signal over time. For Fura-2, this involves alternating excitation wavelengths (e.g., 340 nm and 380 nm) and measuring emission at 510 nm. The ratio of the fluorescence intensities at the two excitation wavelengths is proportional to the intracellular calcium concentration.
- **Data Analysis:** The peak increase in fluorescence ratio is used to determine the concentration-response curve and calculate the EC50 value.

Reactive Oxygen Species (ROS) Production Assay

This assay quantifies the production of superoxide anion ($\text{O}_2^{\bullet-}$), a key component of the neutrophil oxidative burst, which is a critical bactericidal mechanism.

Principle: The NADPH oxidase enzyme complex in neutrophils is activated upon FPR stimulation. This enzyme catalyzes the production of superoxide from oxygen. The released superoxide can be measured using various probes, such as luminol or isoluminol for chemiluminescence-based detection, or cytochrome c for a spectrophotometric assay.

Protocol (using Isoluminol-Enhanced Chemiluminescence):

- **Neutrophil Preparation:** Isolate and prepare neutrophils as described for the calcium mobilization assay. Resuspend the cells in HBSS+.
- **Assay Setup:** In a white 96-well plate, add neutrophils (e.g., $1-2 \times 10^5$ cells/well).
- **Reagent Addition:** Add horseradish peroxidase (HRP) (e.g., 1-2 U/mL) and isoluminol (e.g., 10-20 μ M) to each well.
- **Stimulation and Measurement:**
 - Place the plate in a chemiluminometer and allow it to equilibrate to 37°C.
 - Inject varying concentrations of **fMIFL** into the wells.
 - Immediately begin measuring the chemiluminescence signal at regular intervals for a set period (e.g., 30-60 minutes).
- **Data Analysis:** The peak chemiluminescence or the total integrated response is plotted against the **fMIFL** concentration to generate a dose-response curve and calculate the EC50.

Chemotaxis Assay

This assay assesses the directional migration of neutrophils towards a chemoattractant gradient.

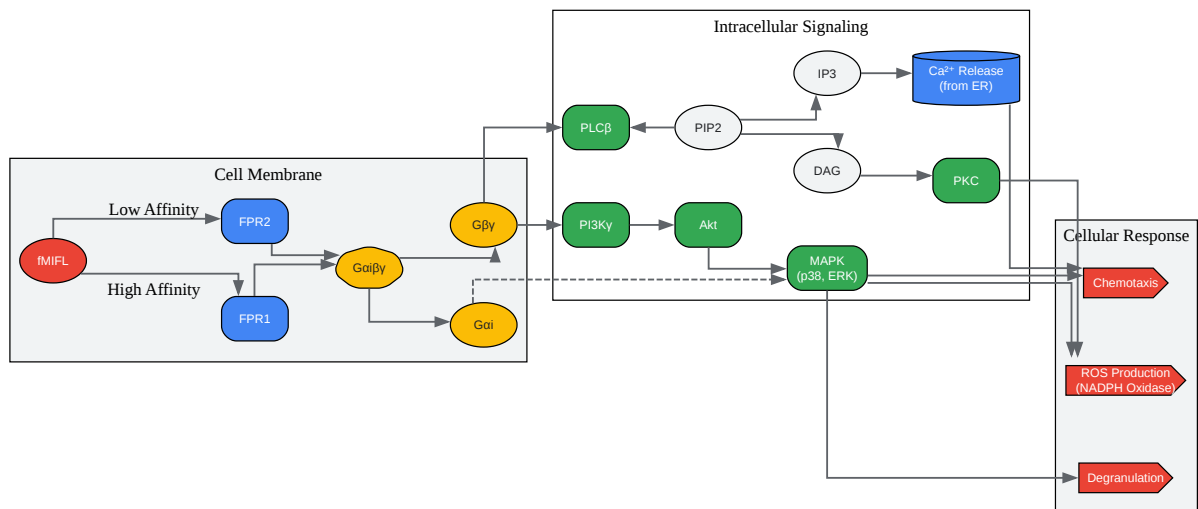
Principle: Neutrophils are placed in a chamber separated from a solution containing the chemoattractant by a microporous membrane. The cells migrate through the pores towards the higher concentration of the chemoattractant. The number of migrated cells is then quantified.

Protocol (using a Transwell System):

- Neutrophil Preparation: Isolate neutrophils as previously described and resuspend them in a suitable migration buffer (e.g., HBSS with 0.1% BSA) at a concentration of $1-2 \times 10^6$ cells/mL.
- Assay Setup:
 - In the lower chamber of a Transwell plate (with a pore size of 3-5 μm for neutrophils), add the migration buffer containing various concentrations of **fMIFL**.
 - Place the Transwell insert (the upper chamber) into the well.
 - Add the neutrophil suspension to the upper chamber.
- Incubation: Incubate the plate at 37°C in a humidified incubator with 5% CO₂ for 60-90 minutes.
- Quantification of Migrated Cells:
 - After incubation, remove the insert.
 - The migrated cells in the lower chamber can be collected and counted using a hemocytometer or a flow cytometer.
 - Alternatively, the non-migrated cells on top of the membrane can be wiped away, and the migrated cells on the underside of the membrane can be fixed, stained (e.g., with DAPI or Giemsa), and counted under a microscope.
- Data Analysis: The number of migrated cells is plotted against the **fMIFL** concentration to determine the chemotactic response and the optimal chemotactic concentration.

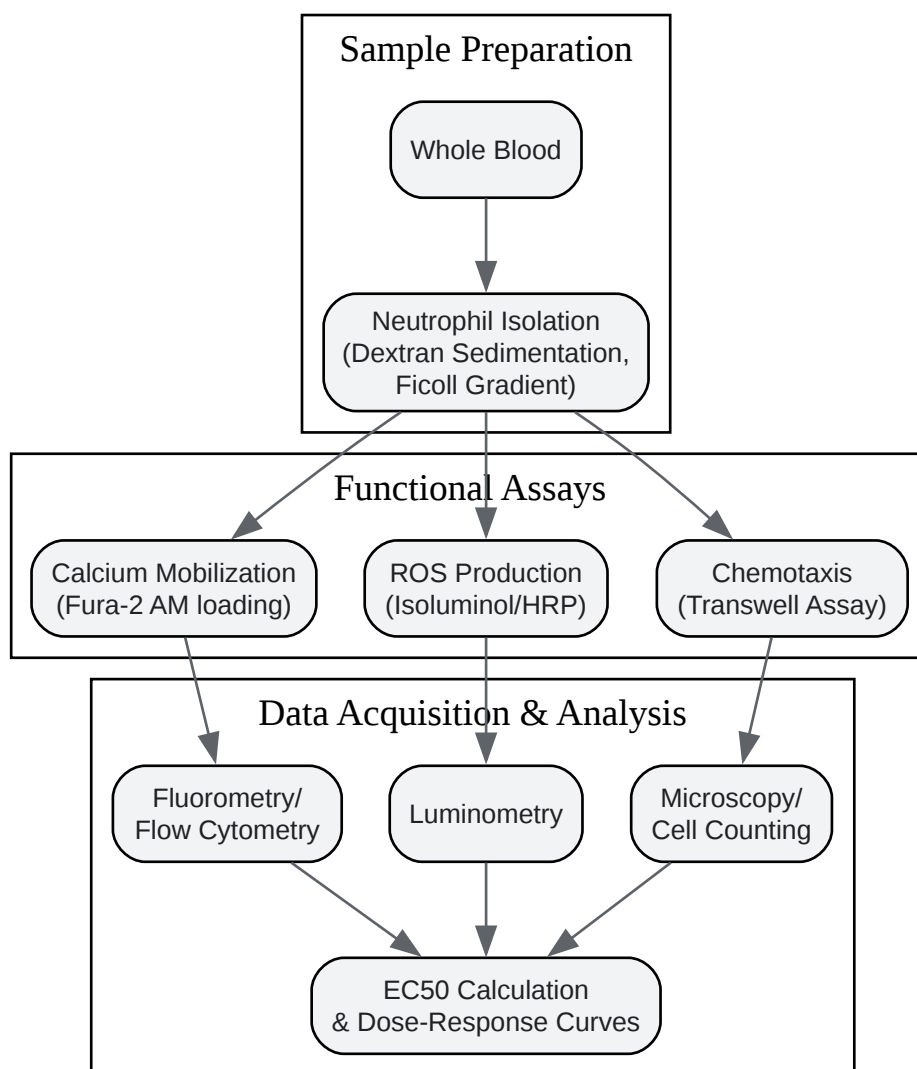
Signaling Pathways and Visualizations

Both FPR1 and FPR2 are G protein-coupled receptors (GPCRs) that primarily couple to the Gi family of G proteins.[5][6] Activation by **fMIFL** initiates a cascade of intracellular signaling events leading to the key neutrophil functions of chemotaxis, degranulation, and ROS production.



[Click to download full resolution via product page](#)

Caption: **fMIFL**-induced signaling through FPR1 and FPR2.



[Click to download full resolution via product page](#)

Caption: Workflow for assessing **fMIFL** activity on neutrophils.

Conclusion

The collective evidence strongly indicates that **fMIFL** exhibits a pronounced receptor specificity for FPR1 over FPR2. This preferential activation of FPR1 by **fMIFL** at nanomolar concentrations triggers robust pro-inflammatory responses in neutrophils, including calcium mobilization, ROS production, and chemotaxis, which are critical for combating bacterial infections. While **fMIFL** can interact with FPR2, it does so with significantly lower affinity and potency, suggesting that FPR1 is the primary mediator of **fMIFL**'s physiological effects at the

site of a Staphylococcus aureus infection. This understanding of receptor specificity is fundamental for the rational design of novel therapeutics targeting FPR-mediated inflammation.

Need Custom Synthesis?

BenchChem offers custom synthesis for rare earth carbides and specific isotopic labeling.

Email: info@benchchem.com or [Request Quote Online](#).

References

- [1. Structural Determinants for the Interaction of Formyl Peptide Receptor 2 with Peptide Ligands - PMC \[pmc.ncbi.nlm.nih.gov\]](#)
- [2. The Formyl Peptide Receptors: Diversity of Ligands and Mechanism for Recognition - PMC \[pmc.ncbi.nlm.nih.gov\]](#)
- [3. biorxiv.org \[biorxiv.org\]](#)
- [4. N-formylpeptides induce two distinct concentration optima for mouse neutrophil chemotaxis by differential interaction with two N-formylpeptide receptor \(FPR\) subtypes. Molecular characterization of FPR2, a second mouse neutrophil FPR - PubMed \[pubmed.ncbi.nlm.nih.gov\]](#)
- [5. Developmental and homeostatic signaling transmitted by the G-protein coupled receptor FPR2 - PMC \[pmc.ncbi.nlm.nih.gov\]](#)
- [6. The G-Protein Coupled Formyl Peptide Receptors and Their Role in the Progression of Digestive Tract Cancer - PMC \[pmc.ncbi.nlm.nih.gov\]](#)
- To cite this document: BenchChem. [Receptor Specificity of fMIFL: A Comparative Guide for FPR1 vs. FPR2]. BenchChem, [2026]. [Online PDF]. Available at: [\[https://www.benchchem.com/product/b15567084/docs#receptor-specificity-of-fmifl-a-comparative-guide-for-fpr1-vs-fpr2\]](https://www.benchchem.com/product/b15567084/docs#receptor-specificity-of-fmifl-a-comparative-guide-for-fpr1-vs-fpr2)

Disclaimer & Data Validity:

The information provided in this document is for Research Use Only (RUO) and is strictly not intended for diagnostic or therapeutic procedures. While BenchChem strives to provide accurate protocols, we make no warranties, express or implied, regarding the fitness of this product for every specific experimental setup.

Technical Support: The protocols provided are for reference purposes. Unsure if this reagent suits your experiment?

Need Industrial/Bulk Grade? [Request Custom Synthesis Quote](#)

BenchChem

Our mission is to be the trusted global source of essential and advanced chemicals, empowering scientists and researchers to drive progress in science and industry.

Contact

Address: 3281 E Guasti Rd
Ontario, CA 91761, United States
Phone: (601) 213-4426
Email: info@benchchem.com

[Contact our Ph.D. Support Team for a compatibility check](#)