

Technical Support Center: Enhancing Urolithin M5 Yield from Natural Sources

Author: BenchChem Technical Support Team. **Date:** April 2026

Compound of Interest

Compound Name: Urolithin M5

Cat. No.: B15565226

[Get Quote](#)

This technical support center provides researchers, scientists, and drug development professionals with comprehensive guidance on strategies to enhance the yield of **Urolithin M5** from natural sources. **Urolithin M5** is a key pentahydroxy urolithin intermediate in the microbial metabolism of ellagitannins (ETs) and ellagic acid (EA), which are abundant in various fruits and nuts. This guide offers troubleshooting advice, frequently asked questions, detailed experimental protocols, and visual workflows to facilitate your research and development efforts.

Troubleshooting Guides

This section addresses common issues encountered during the production and isolation of **Urolithin M5**.

Problem	Potential Cause	Recommended Solution
Low or No Urolithin M5 Production During In Vitro Fermentation	Inappropriate microbial consortium (lack of specific urolithin-producing bacteria like <i>Gordonibacter</i> or <i>Ellagibacter</i>).	Use fecal samples from known urolithin-producing individuals (metabotype A or B). ^{[1][2]} Alternatively, use pure cultures of <i>Gordonibacter</i> spp. which are known to convert ellagic acid to Urolithin M5. ^{[1][3]} Consider co-fermentation with strains like <i>Streptococcus thermophilus</i> FUA329, which has been shown to increase urolithin production. ^{[4][5]}
Suboptimal fermentation conditions (e.g., aerobic environment, incorrect pH, temperature).	Ensure strict anaerobic conditions, as urolithin-producing bacteria are typically anaerobes. ^[3] Maintain a stable temperature of 37°C and a pH around 6.8.	
Poor bioavailability of ellagic acid precursor.	Increase the solubility of ellagic acid by dissolving it in a small amount of DMSO before adding it to the fermentation medium. ^{[6][7]} However, be aware that DMSO can slightly delay the growth of some microbial groups. ^{[6][7]}	
Incomplete Conversion of Ellagic Acid	Insufficient incubation time.	Extend the fermentation period. The conversion of ellagic acid to urolithins occurs during the stationary phase of bacterial growth. ^{[3][8]} Monitor the concentration of ellagic acid and urolithins over time to

determine the optimal incubation period.

Presence of inhibitory compounds in the natural extract.

Pre-purify the ellagitannin or ellagic acid extract to remove potential inhibitors before fermentation.

Difficulty in Purifying Urolithin M5

Co-elution with other urolithins and metabolites.

Employ advanced purification techniques like High-Speed Counter-Current Chromatography (HSCCC), which has been successfully used to separate different urolithins.[9][10] Optimize the solvent system for HSCCC to achieve better separation of Urolithin M5 from other closely related urolithins.

Low concentration of Urolithin M5 in the fermentation broth.

Concentrate the crude extract from the fermentation broth before purification. This can be done using solid-phase extraction (SPE) with a C18 cartridge.[6]

Inaccurate Quantification of Urolithin M5 by HPLC

Poor peak resolution or peak tailing.

Optimize the mobile phase composition, including the pH and organic modifier concentration.[11] Ensure the HPLC column is not degraded and avoid overloading the column with the sample.[11]

Baseline noise or drift.

Use high-purity solvents and degas the mobile phase properly. Check for issues with the pump, detector, or potential leaks in the system.[12]

Low sensitivity.

Use a more sensitive detector, such as a mass spectrometer (MS), in conjunction with HPLC (LC-MS).[13][14] For UV detection, ensure the wavelength is set appropriately for Urolithin M5 (around 305 nm).[15]

Frequently Asked Questions (FAQs)

Q1: What are the best natural sources for obtaining precursors of **Urolithin M5**?

A1: The primary precursors for **Urolithin M5** are ellagitannins (ETs) and ellagic acid (EA). Rich dietary sources of these compounds include pomegranates (especially the peel), raspberries, blackberries, strawberries, walnuts, and almonds.[1][16][17] The leaves of *Canarium album* have also been identified as a direct, albeit less common, source of **Urolithin M5**. [18][19]

Q2: How is **Urolithin M5** biosynthesized from these natural sources?

A2: **Urolithin M5** is not typically present in high concentrations in natural sources. It is a metabolic product of the gut microbiota. The process begins with the hydrolysis of ellagitannins to ellagic acid in the gut. Subsequently, specific gut bacteria, such as *Gordonibacter* and *Ellagibacter* species, convert ellagic acid into **Urolithin M5** through lactone ring cleavage and decarboxylation.[1][2][3] **Urolithin M5** is a key intermediate that is further metabolized by dehydroxylation to form other urolithins like Urolithin A, B, and C.[1][3]

Q3: What are "urolithin metabotypes" and how do they affect **Urolithin M5** production?

A3: Urolithin metabotypes refer to the classification of individuals based on their ability to produce different urolithins from ellagitannins and ellagic acid, which is dependent on their gut microbiota composition. There are three main metabotypes:

- Metabotype A: Produces mainly Urolithin A.
- Metabotype B: Produces Isourolithin A and Urolithin B.

- Metabotype 0: Unable to produce significant amounts of the final urolithins, though they may produce intermediate urolithins like **Urolithin M5**.^[1] For experiments relying on fecal fermentation, selecting donors from metabotype A or B will likely result in a higher yield and more complete conversion of precursors.

Q4: Can I chemically synthesize **Urolithin M5**?

A4: While the focus is often on natural production, chemical synthesis of urolithins is possible, though it can be a multi-step and complex process. For other urolithins, methods like the Ullmann coupling reaction have been used. However, specific, high-yield synthesis routes for **Urolithin M5** are not as commonly reported in the literature compared to its microbial production.

Q5: What analytical techniques are best for identifying and quantifying **Urolithin M5**?

A5: High-Performance Liquid Chromatography (HPLC) coupled with a Diode-Array Detector (DAD) is a common method for the analysis of urolithins.^[15] For higher sensitivity and specificity, especially in complex biological matrices, Liquid Chromatography-Mass Spectrometry (LC-MS) or Ultra-High-Performance Liquid Chromatography-Quadrupole Time-of-Flight Mass Spectrometry (UPLC-QTOF-MS) are recommended.^{[13][14][20]} These methods allow for accurate identification based on retention time, UV spectra, and mass-to-charge ratio, as well as precise quantification.

Experimental Protocols

Protocol 1: Extraction of Ellagitannins and Ellagic Acid from Pomegranate Peel

This protocol describes a method for extracting the precursors of **Urolithin M5** from pomegranate peel.

Materials:

- Fresh pomegranate peels
- Methanol (10% v/v in water)

- Ethyl acetate
- Acetic acid (2% aqueous solution)
- Reflux apparatus
- Centrifuge
- Rotary evaporator
- Freeze-dryer

Procedure:

- Preparation of Pomegranate Peel: Wash fresh pomegranate peels and dry them in an oven at 50°C until a constant weight is achieved. Grind the dried peels into a fine powder.
- Extraction: a. Mix the dried pomegranate peel powder with 10% (v/v) methanol in water at a solid-to-liquid ratio of 1:10 (w/v). b. Perform the extraction under reflux for 1 hour. c. Repeat the extraction process twice with fresh solvent. d. Pool the extracts and centrifuge to remove solid particles.
- Purification: a. Concentrate the supernatant using a rotary evaporator. b. Perform a liquid-liquid extraction by partitioning the concentrated extract between ethyl acetate and a 2% aqueous acetic acid solution.^[21] c. Collect the ethyl acetate phase, which contains the ellagitannins and ellagic acid. d. Evaporate the ethyl acetate under vacuum.
- Drying: Freeze-dry the resulting extract to obtain a stable powder rich in ellagitannins and ellagic acid.

Protocol 2: In Vitro Fermentation for Urolithin M5 Production

This protocol outlines the procedure for the microbial conversion of ellagic acid to **Urolithin M5** using human fecal microbiota.

Materials:

- Ellagic acid extract (from Protocol 1 or commercial source)
- Fresh fecal sample from a healthy donor (preferably metabotype A or B)
- Anaerobic Basal Broth (ABB) medium
- DMSO (optional)
- Anaerobic chamber or jars with gas packs
- Incubator at 37°C
- Centrifuge

Procedure:

- Preparation of Fecal Slurry: a. Inside an anaerobic chamber, homogenize a fresh fecal sample (1:10 w/v) in pre-reduced anaerobic basal broth. b. Filter the slurry through several layers of cheesecloth to remove large particulate matter.
- Fermentation Setup: a. Prepare the fermentation medium by supplementing the anaerobic basal broth with the ellagic acid extract to a final concentration of approximately 30 µM.^[6] If solubility is an issue, dissolve the extract in a minimal amount of DMSO before adding it to the medium (final DMSO concentration should be ≤1%).^{[6][7]} b. Inoculate the fermentation medium with the fecal slurry (e.g., 10% v/v).
- Incubation: a. Incubate the cultures anaerobically at 37°C. b. Collect aliquots at different time points (e.g., 0, 24, 48, 72 hours) to monitor the production of **Urolithin M5**.
- Sample Processing: a. Centrifuge the collected aliquots to pellet the bacterial cells and fecal debris. b. Filter the supernatant through a 0.22 µm filter. c. Store the filtered supernatant at -80°C until HPLC or LC-MS analysis.

Protocol 3: Quantification of Urolithin M5 using HPLC-DAD

This protocol provides a method for the quantification of **Urolithin M5** in fermentation samples.

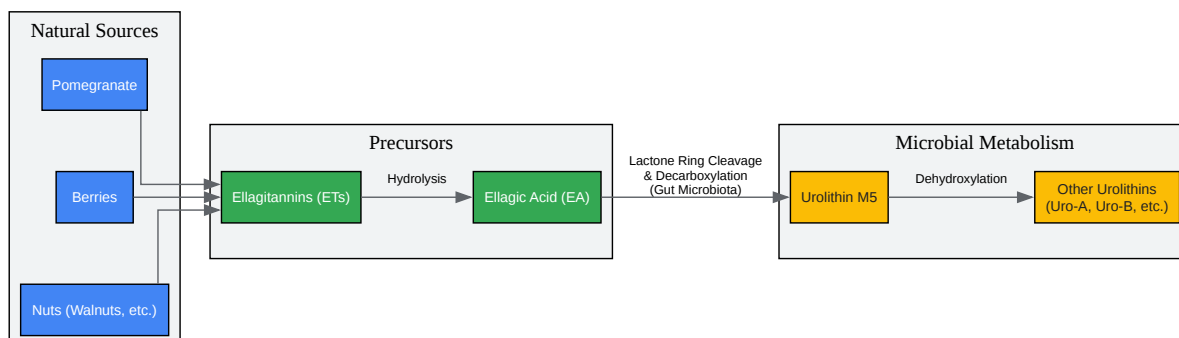
Materials:

- **Urolithin M5** standard
- Acetonitrile (HPLC grade)
- Formic acid (0.1%) in water (HPLC grade)
- HPLC system with a DAD detector and a C18 column (e.g., 2.1 x 100 mm, 1.7 μm)
- Syringe filters (0.22 μm)

Procedure:

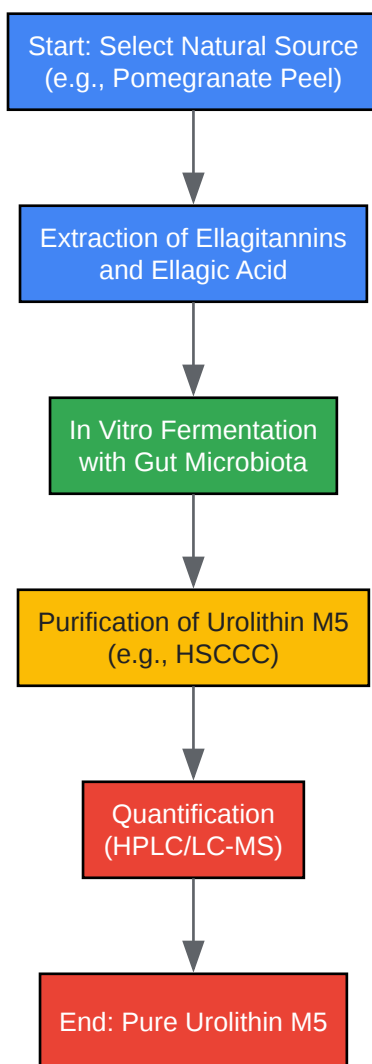
- Preparation of Standards and Samples: a. Prepare a stock solution of **Urolithin M5** standard in methanol. b. Create a series of calibration standards by diluting the stock solution with the mobile phase. c. Thaw the fermentation samples and filter them through a 0.22 μm syringe filter.
- HPLC Conditions: a. Mobile Phase A: 0.1% formic acid in water. b. Mobile Phase B: Acetonitrile. c. Gradient Elution: A typical gradient could be: 0-2 min, 5% B; 2-15 min, 5-95% B; 15-18 min, 95% B; 18-20 min, 95-5% B; 20-25 min, 5% B. (This should be optimized for your specific column and system). d. Flow Rate: 0.3 mL/min. e. Column Temperature: 40°C. f. Injection Volume: 5 μL . g. Detection Wavelength: 305 nm.[\[15\]](#)
- Analysis: a. Inject the standards and samples onto the HPLC system. b. Identify the **Urolithin M5** peak in the samples by comparing the retention time with the standard. c. Construct a calibration curve by plotting the peak area of the standards against their concentration. d. Quantify **Urolithin M5** in the samples using the calibration curve.

Visualizations



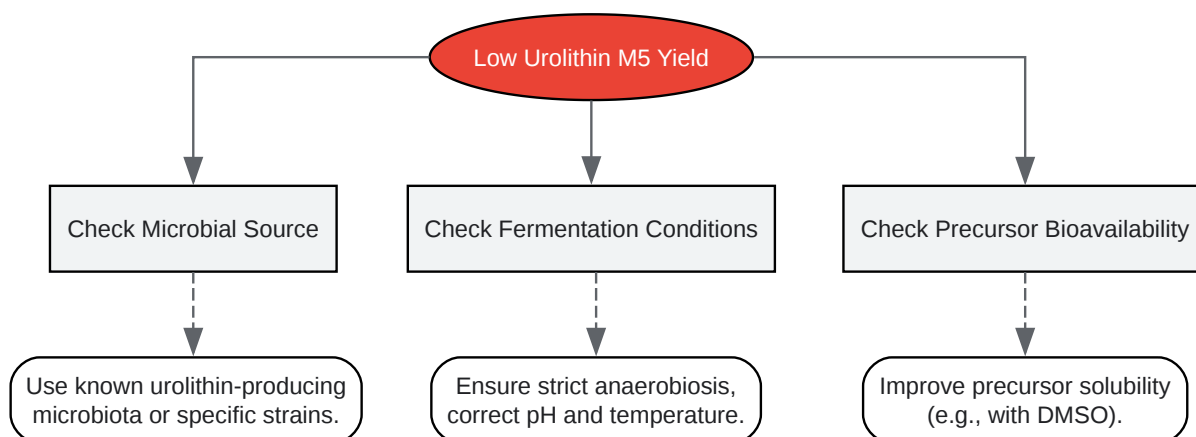
[Click to download full resolution via product page](#)

Caption: Biosynthesis pathway of **Urolithin M5** from natural precursors.



[Click to download full resolution via product page](#)

Caption: Experimental workflow for **Urolithin M5** production and analysis.



[Click to download full resolution via product page](#)

Caption: Troubleshooting logic for low **Urolithin M5** yield.

Need Custom Synthesis?

BenchChem offers custom synthesis for rare earth carbides and specific isotopic labeling.

Email: info@benchchem.com or [Request Quote Online](#).

References

- [1. layerorigin.com](https://layerorigin.com) [layerorigin.com]
- [2. pubs.acs.org](https://pubs.acs.org) [pubs.acs.org]
- [3. researchgate.net](https://researchgate.net) [researchgate.net]
- [4. Improvement of Urolithin A Yield by In Vitro Cofermentation of Streptococcus thermophilus FUA329 with Human Gut Microbiota from Different Urolithin Metabotypes - PubMed](#) [pubmed.ncbi.nlm.nih.gov]
- [5. pubs.acs.org](https://pubs.acs.org) [pubs.acs.org]
- [6. researchgate.net](https://researchgate.net) [researchgate.net]
- [7. pubs.acs.org](https://pubs.acs.org) [pubs.acs.org]
- [8. Frontiers | Isolation of Human Intestinal Bacteria Capable of Producing the Bioactive Metabolite Isourolithin A from Ellagic Acid](#) [frontiersin.org]

- 9. Preparative isolation and purification of urolithins from the intestinal metabolites of pomegranate ellagitannins by high-speed counter-current chromatography - PubMed [pubmed.ncbi.nlm.nih.gov]
- 10. researchgate.net [researchgate.net]
- 11. Advanced Guide to HPLC Troubleshooting: solve 7 common issues like a pro! [pharmacores.com]
- 12. youtube.com [youtube.com]
- 13. In vitro conversion of ellagic acid to urolithin A by different gut microbiota of urolithin metabotype A - PubMed [pubmed.ncbi.nlm.nih.gov]
- 14. researchgate.net [researchgate.net]
- 15. researchgate.net [researchgate.net]
- 16. Influence of Ellagitannins Extracted by Pomegranate Fruit on Disulfide Isomerase PDIA3 Activity - PMC [pmc.ncbi.nlm.nih.gov]
- 17. Metabolism of different dietary phenolic compounds by the urolithin-producing human-gut bacteria *Gordonibacter urolithinifaciens* and *Ellagibacter isourolithinifaciens* - PubMed [pubmed.ncbi.nlm.nih.gov]
- 18. researchgate.net [researchgate.net]
- 19. researchgate.net [researchgate.net]
- 20. Isolation and characterization of a novel human intestinal *Enterococcus faecium* FUA027 capable of producing urolithin A from ellagic acid - PMC [pmc.ncbi.nlm.nih.gov]
- 21. researchgate.net [researchgate.net]
- To cite this document: BenchChem. [Technical Support Center: Enhancing Urolithin M5 Yield from Natural Sources]. BenchChem, [2026]. [Online PDF]. Available at: [<https://www.benchchem.com/product/b15565226/docs#technical-support-center-enhancing-urolithin-m5-yield-from-natural-sources>]

Disclaimer & Data Validity:

The information provided in this document is for Research Use Only (RUO) and is strictly not intended for diagnostic or therapeutic procedures. While BenchChem strives to provide accurate protocols, we make no warranties, express or implied, regarding the fitness of this product for every specific experimental setup.

Technical Support: The protocols provided are for reference purposes. Unsure if this reagent suits your experiment?

Need Industrial/Bulk Grade? [Request Custom Synthesis Quote](#)

BenchChem

Our mission is to be the trusted global source of essential and advanced chemicals, empowering scientists and researchers to drive progress in science and industry.

Contact

Address: 3281 E Guasti Rd
Ontario, CA 91761, United States
Phone: (601) 213-4426
Email: info@benchchem.com

[Contact our Ph.D. Support Team for a compatibility check](#)