

Introduction: The Rationale for Targeting MsbA

Author: BenchChem Technical Support Team. **Date:** April 2026

Compound of Interest

Compound Name: *MsbA-IN-3*

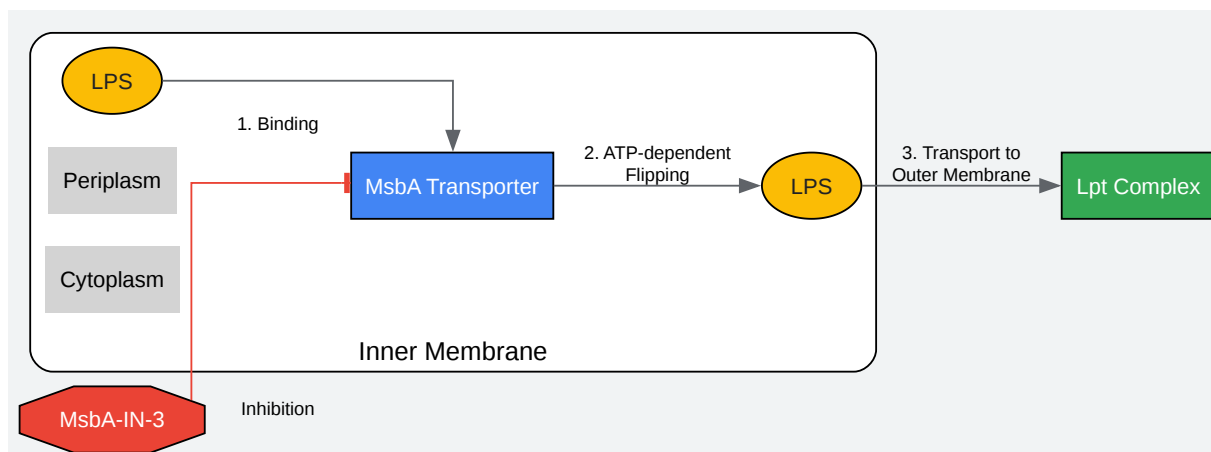
Cat. No.: *B15565795*

[Get Quote](#)

Gram-negative bacteria possess a formidable defensive outer membrane, with lipopolysaccharide (LPS) as a key structural component. The transport and assembly of LPS are essential for bacterial viability, making the proteins involved in this pathway attractive targets for novel antibiotics. MsbA, an essential ATP-binding cassette (ABC) transporter, is a critical flippase responsible for translocating LPS from the cytoplasmic leaflet to the periplasmic leaflet of the inner membrane.[1][2][3] Inhibition of MsbA disrupts the LPS transport pathway, leading to the accumulation of LPS in the inner membrane, loss of outer membrane integrity, and ultimately, bacterial cell death.[4] **MsbA-IN-3** is a novel investigational molecule designed to inhibit the function of MsbA. This guide outlines the core in vitro assays required for its initial characterization.

Biological Pathway: MsbA-Mediated LPS Transport

MsbA functions as a homodimer, utilizing the energy from ATP hydrolysis to drive the flipping of LPS across the inner membrane.[1] This process is the first committed step in delivering LPS to the outer membrane. The diagram below illustrates this critical pathway and the proposed mechanism of action for **MsbA-IN-3**.

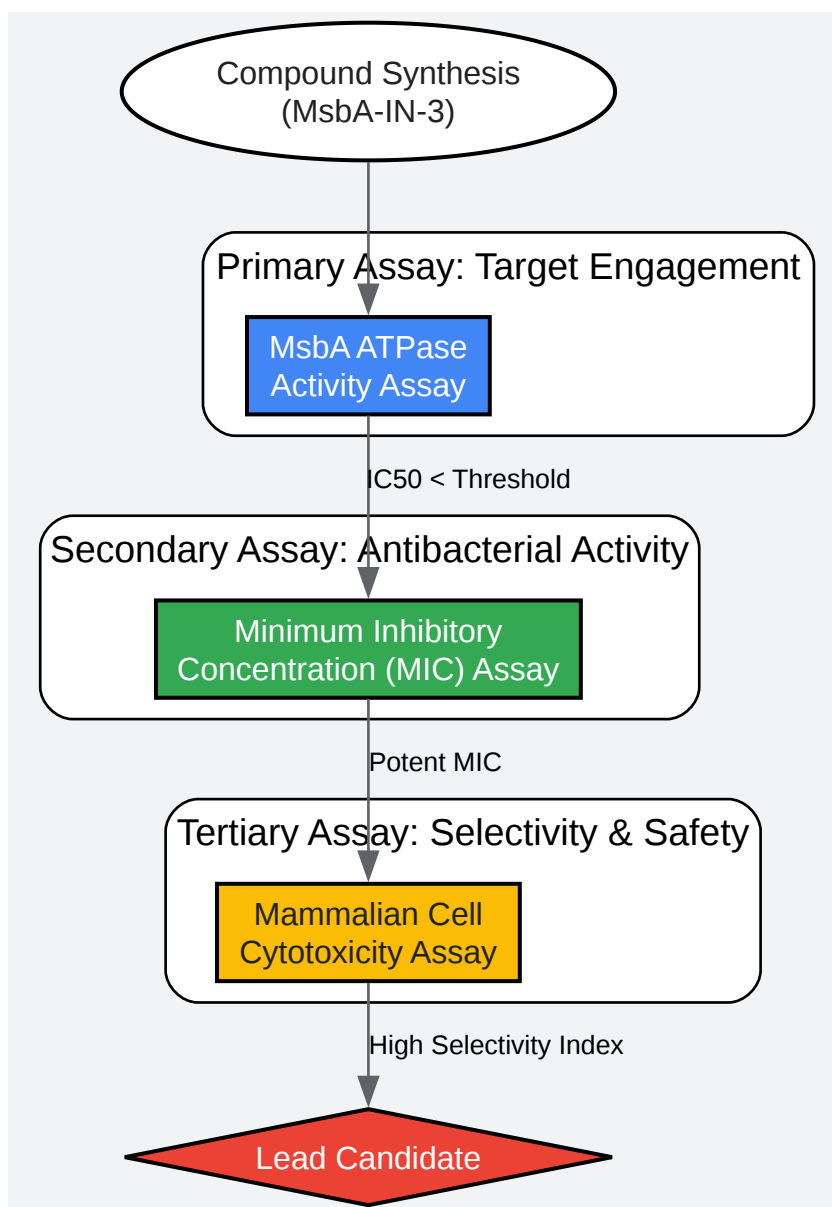


[Click to download full resolution via product page](#)

Caption: The MsbA-mediated pathway for lipopolysaccharide (LPS) flipping and subsequent transport, indicating the inhibitory action of **MsbA-IN-3**.

Experimental Workflow and Protocols

A structured, multi-stage approach is employed for the in vitro evaluation of MsbA inhibitors. The workflow progresses from primary biochemical assays to cell-based antibacterial and safety assessments.



[Click to download full resolution via product page](#)

Caption: A sequential workflow for the in vitro evaluation of **MsbA-IN-3**, from target engagement to preliminary safety assessment.

Protocol: MsbA ATPase Activity Assay

This biochemical assay quantifies the inhibitory effect of **MsbA-IN-3** on the ATP hydrolysis function of the MsbA transporter, which is essential for its flippase activity.

- Objective: To determine the half-maximal inhibitory concentration (IC₅₀) of **MsbA-IN-3** against purified MsbA.

- Materials:
 - Purified, detergent-solubilized, or lipid-reconstituted MsbA protein.
 - Assay Buffer: 50 mM Tris-HCl (pH 7.5), 10 mM MgCl₂, 1 mM Dithiothreitol (DTT).
 - ATP solution (100 mM stock).
 - **MsbA-IN-3** serial dilutions in DMSO.
 - Malachite green reagent for phosphate detection or a coupled-enzyme system (e.g., pyruvate kinase/lactate dehydrogenase for an NADH depletion assay).
- Methodology:
 - Add 2-5 µg of reconstituted MsbA proteoliposomes to each well of a 96-well plate.
 - Introduce varying concentrations of **MsbA-IN-3** (e.g., from 0.01 µM to 100 µM) to the wells and incubate for 15 minutes at room temperature.
 - Initiate the reaction by adding ATP to a final concentration of 2-5 mM.
 - Incubate the reaction at 37°C for 30 minutes.
 - Terminate the reaction and measure the amount of inorganic phosphate (Pi) released using a malachite green assay or measure the rate of NADH oxidation at 340 nm for a coupled assay.
 - Plot the percentage of inhibition against the logarithm of **MsbA-IN-3** concentration and fit the data using a four-parameter logistic equation to determine the IC₅₀ value.

Protocol: Minimum Inhibitory Concentration (MIC) Assay

This cell-based assay determines the lowest concentration of **MsbA-IN-3** required to inhibit the visible growth of a panel of Gram-negative bacteria.

- Objective: To quantify the antibacterial potency of **MsbA-IN-3**.
- Materials:

- Gram-negative bacterial strains (e.g., *E. coli*, *K. pneumoniae*, *P. aeruginosa*).
- Cation-adjusted Mueller-Hinton Broth (MHB).
- Sterile 96-well microtiter plates.
- Bacterial inoculum standardized to 5×10^5 CFU/mL.
- Methodology:
 - Prepare a two-fold serial dilution of **MsbA-IN-3** in MHB directly in the 96-well plate.
 - Inoculate each well with the standardized bacterial suspension. Include a positive control (bacteria, no compound) and a negative control (broth only).
 - Incubate the plate at 37°C for 18-24 hours.
 - Determine the MIC by visual inspection: the MIC is the lowest concentration of **MsbA-IN-3** in which no turbidity (bacterial growth) is observed.

Protocol: Mammalian Cell Cytotoxicity Assay (MTT Assay)

This assay assesses the effect of **MsbA-IN-3** on the viability of mammalian cells to determine its selectivity for the bacterial target over host cells.

- Objective: To determine the half-maximal cytotoxic concentration (CC50) of **MsbA-IN-3**.
- Materials:
 - Mammalian cell line (e.g., HEK293, HepG2).
 - Complete cell culture medium (e.g., DMEM with 10% FBS).
 - MTT (3-(4,5-dimethylthiazol-2-yl)-2,5-diphenyltetrazolium bromide) solution.
 - Solubilization buffer (e.g., DMSO or a acidified isopropanol solution).
- Methodology:

- Seed mammalian cells in a 96-well plate at a density of 5,000-10,000 cells per well and allow them to adhere overnight.
- Replace the medium with fresh medium containing serial dilutions of **MsbA-IN-3**.
- Incubate for 24 to 48 hours at 37°C in a 5% CO₂ incubator.
- Add MTT solution to each well and incubate for an additional 4 hours. Viable cells with active metabolism will reduce the yellow MTT to purple formazan crystals.
- Remove the medium and dissolve the formazan crystals with the solubilization buffer.
- Measure the absorbance at ~570 nm using a microplate reader.
- Calculate the percentage of cell viability relative to untreated control cells and plot against compound concentration to determine the CC50.

Data Summary

The following table structure should be used to summarize the key quantitative data from the in vitro evaluation of **MsbA-IN-3**.

Assay	Parameter	Target/Cell Line	Result
Target Engagement	IC50 (μM)	E. coli MsbA	Data not publicly available
IC50 (μM)	P. aeruginosa MsbA	Data not publicly available	
Antibacterial Activity	MIC (μg/mL)	E. coli (WT)	Data not publicly available
MIC (μg/mL)	K. pneumoniae (WT)	Data not publicly available	
MIC (μg/mL)	P. aeruginosa (WT)	Data not publicly available	
Cytotoxicity	CC50 (μM)	HEK293	Data not publicly available
CC50 (μM)	HepG2	Data not publicly available	
Selectivity	Selectivity Index (CC50/IC50)	HEK293 / E. coli MsbA	Data not publicly available

Need Custom Synthesis?

BenchChem offers custom synthesis for rare earth carbides and specific isotopic labeling.

Email: info@benchchem.com or [Request Quote Online](#).

References

- 1. Structural basis of MsbA-mediated lipopolysaccharide transport - PMC [[pmc.ncbi.nlm.nih.gov](https://pubmed.ncbi.nlm.nih.gov/)]
- 2. High-resolution views of lipopolysaccharide translocation driven by ABC transporters MsbA and LptB2FGC - PMC [[pmc.ncbi.nlm.nih.gov](https://pubmed.ncbi.nlm.nih.gov/)]
- 3. Liao lab uncovers the structural basis for LPS transport by ABC transporter MsbA | Cell Biology [cellbio.hms.harvard.edu]

- 4. The ABC transporter MsbA interacts with lipid A and amphipathic drugs at different sites - PMC [pmc.ncbi.nlm.nih.gov]
- To cite this document: BenchChem. [Introduction: The Rationale for Targeting MsbA]. BenchChem, [2026]. [Online PDF]. Available at: [https://www.benchchem.com/product/b15565795/docs#introduction-the-rationale-for-targeting-msba]

Disclaimer & Data Validity:

The information provided in this document is for Research Use Only (RUO) and is strictly not intended for diagnostic or therapeutic procedures. While BenchChem strives to provide accurate protocols, we make no warranties, express or implied, regarding the fitness of this product for every specific experimental setup.

Technical Support: The protocols provided are for reference purposes. Unsure if this reagent suits your experiment?

Need Industrial/Bulk Grade? [Request Custom Synthesis Quote](#)

BenchChem

Our mission is to be the trusted global source of essential and advanced chemicals, empowering scientists and researchers to drive progress in science and industry.

Contact

Address: 3281 E Guasti Rd
Ontario, CA 91761, United States
Phone: (601) 213-4426
Email: info@benchchem.com

[Contact our Ph.D. Support Team for a compatibility check](#)