

# Optimizing Suramin Concentration for Cell Culture Experiments: A Technical Support Guide

**Author:** BenchChem Technical Support Team. **Date:** April 2026

## Compound of Interest

Compound Name:	Suramin
CAS No.:	129-46-4; 145-63-1
Cat. No.:	B15564017

[Get Quote](#)

## Frequently Asked Questions (FAQs)

Q1: What is the primary mechanism of action of **suramin** in cell culture?

**Suramin** is a polysulfonated naphthylurea that acts as a multifaceted inhibitor affecting several cellular processes. Its primary mechanisms include:

- **Inhibition of Growth Factor Signaling:** **Suramin** is known to inhibit the binding of various growth factors to their receptors, including epidermal growth factor (EGF), platelet-derived growth factor (PDGF), and transforming growth factor-beta (TGF- $\beta$ )[1][2]. This action can antagonize the growth of tumor cells that rely on these signaling pathways[1].
- **P2 Receptor Antagonism:** It functions as an inhibitor of purinergic signaling pathways by blocking P2 receptors, which are involved in cellular processes like inflammation and proliferation[3][4].
- **Enzyme Inhibition:** **Suramin** can inhibit various enzymes, including reverse transcriptase, DNA topoisomerase II, and telomerase[1][5][6]. Its inhibitory effect on topoisomerase II has an approximate IC<sub>50</sub> of 40  $\mu$ M[6][7].

Q2: What is a typical starting concentration range for **suramin** in cell culture experiments?

The effective concentration of **suramin** is highly cell-type dependent. A general starting range for many applications is between 10  $\mu\text{M}$  and 300  $\mu\text{M}$ . However, it is crucial to perform a dose-response experiment to determine the optimal concentration for your specific cell line and experimental goals. For instance, in some human lung cancer cell lines, IC50 values for growth inhibition can range from 130  $\mu\text{M}$  to 3715  $\mu\text{M}$  in media with 10% fetal calf serum (FCS)[7]. In contrast, for telomerase inhibition in some tumor cell lines, IC50 values can be as low as 1 to 3  $\mu\text{M}$ [5].

Q3: How does serum concentration in the culture medium affect **suramin**'s activity?

Serum concentration can significantly impact the cytotoxic effects of **suramin**. For example, the cytotoxicity of **suramin** on NCI-N417 cells was found to be 18 times higher in a medium containing 2% FCS compared to a medium with 10% FCS[7]. This is likely due to the binding of **suramin** to proteins in the serum, which reduces its effective concentration. It is therefore recommended to maintain a consistent serum concentration throughout your experiments.

Q4: What are the visual signs of **suramin**-induced cytotoxicity in cell culture?

Visual signs of cytotoxicity can include:

- Changes in cell morphology, such as rounding and detachment from the culture surface.
- A decrease in cell density and the presence of floating dead cells.
- For neuronal cultures, **suramin** can cause dose- and time-dependent myelinated fiber degeneration[8].

Q5: Can **suramin** stimulate cell growth?

Paradoxically, at lower concentrations, **suramin** has been observed to stimulate the proliferation of some cell lines, such as the NCI-H187 and NCI-N417 small cell lung cancer cell lines[7]. In some instances, **suramin** can activate the epidermal growth factor receptor (EGFR) signaling pathway, promoting the growth of certain malignant cells[9]. This highlights the importance of a thorough dose-response analysis.

## Troubleshooting Guide

Issue	Possible Cause	Recommended Solution
High Cell Death at Expected "Effective" Concentration	Cell line is highly sensitive to suramin.	Perform a dose-response experiment starting with a much lower concentration range (e.g., 1-10 $\mu$ M).
Serum concentration in the medium is too low, increasing the effective concentration of suramin.	Ensure consistent and appropriate serum levels in your culture medium. Consider that lower serum requires lower suramin concentrations[7].	
No Observable Effect at High Concentrations	Cell line is resistant to suramin.	Confirm the resistance by testing a very high concentration range. If resistance is confirmed, consider alternative inhibitors for your target pathway.
Suramin has degraded.	Ensure proper storage of suramin stock solutions. Suramin is stable in common infusion fluids for at least seven days at 4°C and 22°C[10].	
Inconsistent Results Between Experiments	Variability in cell seeding density.	Standardize your cell seeding protocol to ensure consistent cell numbers at the start of each experiment.
Inconsistent serum concentration.	As mentioned previously, maintain a consistent serum percentage in your culture medium across all experiments.	

Unexpected Stimulation of Cell Growth

Biphasic effect of suramin.

This can occur at low concentrations in some cell lines[7][11]. Re-evaluate your dose-response curve to identify the inhibitory range.

## Quantitative Data Summary

Table 1: IC50 Values for **Suramin**-Induced Growth Inhibition in Various Cell Lines

Cell Line	Cell Type	IC50 (µM)	Serum Conditions	Reference
Human Lung Cancer Cell Lines	Lung Cancer	130 - 3715	10% FCS	[7]
NCI-N417	Small Cell Lung Cancer	More potent in 2% FCS vs 10% FCS	2% vs 10% FCS	[7]
FaDu, MCF7, PC3	Epithelial Tumor	60 - 165	Not Specified	[5]
Primary Prostate Epithelial Cultures	Prostate Cancer	50 - 100	Serum-free	[12]
PC-3, DU 145	Prostate Cancer	Comparable to primary cultures	Serum-containing	[12]
Dorsal Root Ganglion Neurons	Neuronal	283	Not Specified	[13]

Table 2: Inhibitory Concentrations of **Suramin** on Specific Molecular Targets

Target	Assay	IC50 ( $\mu\text{M}$ )	Reference
Telomerase	TRAP Assay (in lysates and intact cells)	1 - 3	[5]
Topoisomerase II	kDNA Decatenation Assay	~40	[7]
Yeast Topoisomerase II	Decatenation/Relaxation Assay	~5	[6]
EGF Binding (T24 cells)	Radioligand Binding Assay	~300	[14]
EGF Binding (HT1376 cells)	Radioligand Binding Assay	~100	[14]
IGF1 Binding (T24 & HT1376 cells)	Radioligand Binding Assay	~60	[14]

## Experimental Protocols

### Protocol 1: Determining Optimal Suramin Concentration using a Cell Viability Assay (e.g., MTT or WST-1)

- **Cell Seeding:** Plate your cells in a 96-well plate at a predetermined optimal density and allow them to adhere overnight.
- **Suramin Preparation:** Prepare a series of **suramin** dilutions in your complete cell culture medium. A common starting range is a 2-fold serial dilution from a high concentration (e.g., 1000  $\mu\text{M}$ ) down to a low concentration (e.g., ~1  $\mu\text{M}$ ). Include a vehicle-only control.
- **Treatment:** Remove the old medium from the cells and add the medium containing the different concentrations of **suramin**.
- **Incubation:** Incubate the plate for a period relevant to your experiment (e.g., 24, 48, or 72 hours).

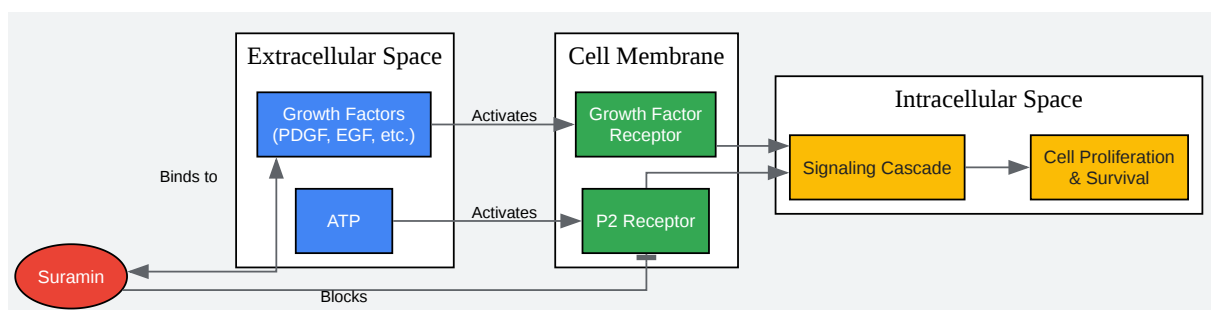
- Viability Assay:
  - For MTT assay: Add MTT reagent to each well and incubate for 2-4 hours. Then, add the solubilization solution and read the absorbance at the appropriate wavelength.
  - For WST-1 assay: Add WST-1 reagent to each well and incubate for 1-4 hours. Read the absorbance at the recommended wavelength[15].
- Data Analysis: Calculate the percentage of cell viability for each concentration relative to the vehicle control. Plot the results to determine the IC50 value (the concentration at which 50% of cell growth is inhibited).

## Protocol 2: Assessing Suramin's Effect on a Specific Signaling Pathway (e.g., by Western Blot)

- Cell Treatment: Plate cells in larger format dishes (e.g., 6-well plates). Once they reach the desired confluency, treat them with the predetermined optimal concentration of **suramin** for a specific duration. Include both positive and negative controls.
- Cell Lysis: After treatment, wash the cells with cold PBS and lyse them using an appropriate lysis buffer containing protease and phosphatase inhibitors.
- Protein Quantification: Determine the protein concentration of each lysate using a standard protein assay (e.g., BCA assay).
- Western Blotting:
  - Separate equal amounts of protein from each sample by SDS-PAGE.
  - Transfer the separated proteins to a PVDF or nitrocellulose membrane.
  - Block the membrane to prevent non-specific antibody binding.
  - Incubate the membrane with a primary antibody specific to the phosphorylated (active) form of your protein of interest and an antibody for the total protein as a loading control.

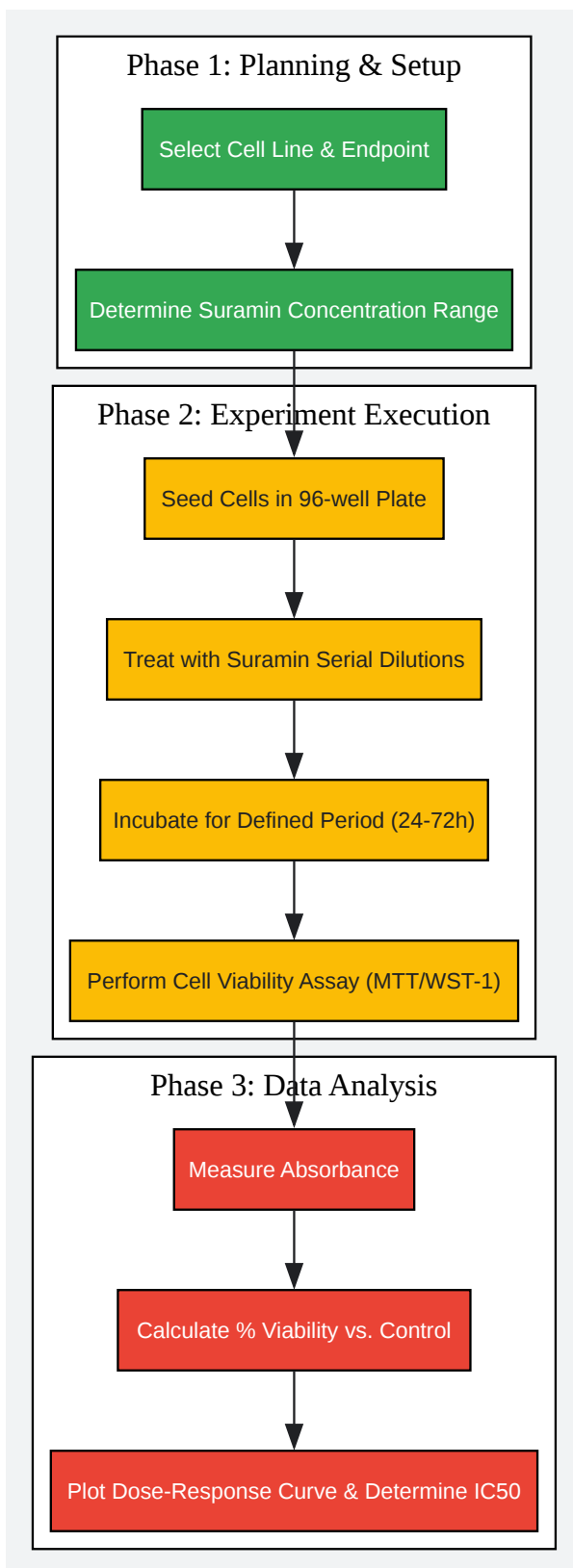
- Wash the membrane and incubate with an appropriate HRP-conjugated secondary antibody.
- Detect the signal using an enhanced chemiluminescence (ECL) substrate and image the blot.
- Analysis: Quantify the band intensities to determine the change in protein phosphorylation upon **suramin** treatment.

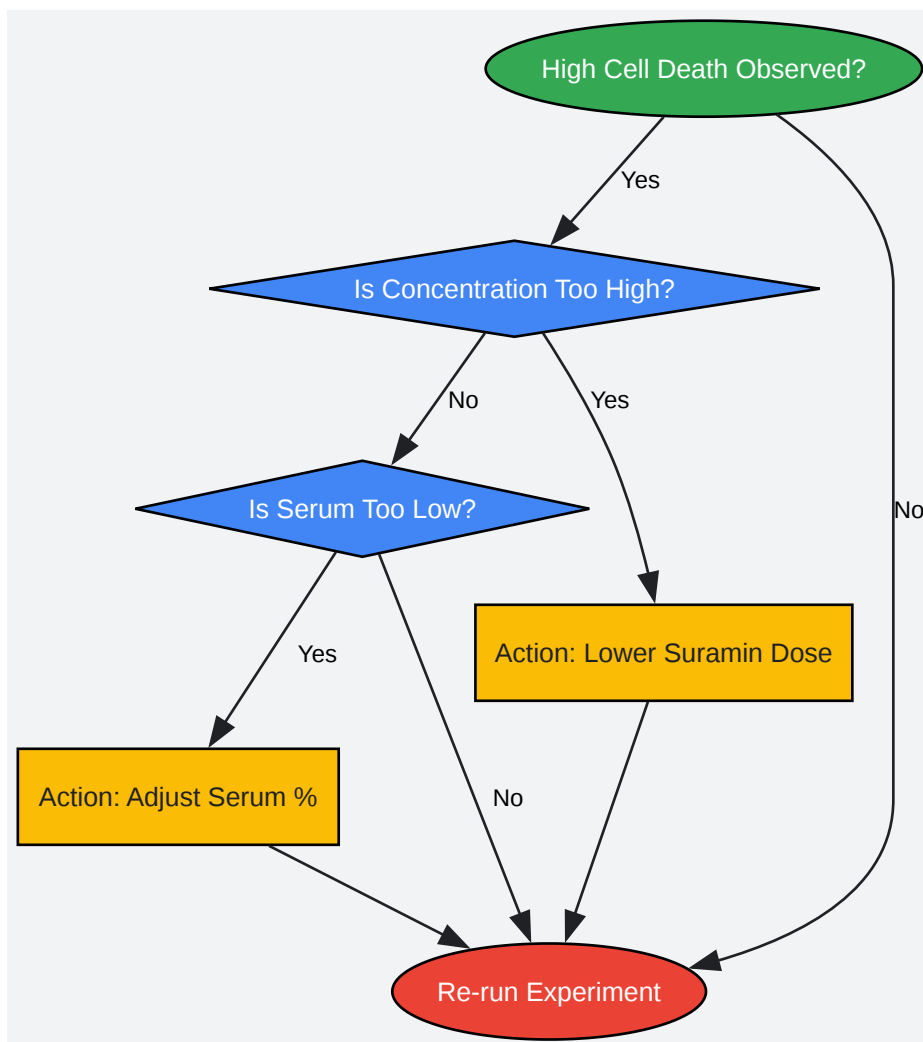
## Visualizations



[Click to download full resolution via product page](#)

Caption: **Suramin's** multifaceted inhibitory action on cellular signaling pathways.





[Click to download full resolution via product page](#)

### Need Custom Synthesis?

BenchChem offers custom synthesis for rare earth carbides and specific isotopic labeling.

Email: [info@benchchem.com](mailto:info@benchchem.com) or [Request Quote Online](#).

## References

- 1. Suramin: an anticancer drug with a unique mechanism of action - PubMed [[pubmed.ncbi.nlm.nih.gov](https://pubmed.ncbi.nlm.nih.gov)]
- 2. Frontiers | Synthesis of Novel Suramin Analogs With Anti-Proliferative Activity via FGF1 and FGFRD2 Blockade [[frontiersin.org](https://frontiersin.org)]

- [3. What is the mechanism of Suramin Sodium? \[synapse.patsnap.com\]](#)
- [4. go.drugbank.com \[go.drugbank.com\]](#)
- [5. Pharmacodynamics of Telomerase Inhibition and Telomere Shortening by Noncytotoxic Suramin - PMC \[pmc.ncbi.nlm.nih.gov\]](#)
- [6. pnas.org \[pnas.org\]](#)
- [7. Effects of suramin on human lung cancer cell lines - PubMed \[pubmed.ncbi.nlm.nih.gov\]](#)
- [8. Mechanism of suramin toxicity in stable myelinating dorsal root ganglion cultures - PubMed \[pubmed.ncbi.nlm.nih.gov\]](#)
- [9. Suramin, an experimental chemotherapeutic drug, activates the receptor for epidermal growth factor and promotes growth of certain malignant cells - PMC \[pmc.ncbi.nlm.nih.gov\]](#)
- [10. Chemical stability of suramin in commonly used infusion fluids - PubMed \[pubmed.ncbi.nlm.nih.gov\]](#)
- [11. Stimulation of tumor growth in vitro and in vivo by suramin on the VX2 model - PubMed \[pubmed.ncbi.nlm.nih.gov\]](#)
- [12. Effects of suramin on the proliferation of primary epithelial cell cultures derived from normal, benign hyperplastic and cancerous human prostates - PubMed \[pubmed.ncbi.nlm.nih.gov\]](#)
- [13. Suramin-Induced Neurotoxicity: Preclinical Models and Neuroprotective Strategies - PMC \[pmc.ncbi.nlm.nih.gov\]](#)
- [14. Suramin inhibits growth factor binding and proliferation by urothelial carcinoma cell cultures - PubMed \[pubmed.ncbi.nlm.nih.gov\]](#)
- [15. Synthesis of Novel Suramin Analogs With Anti-Proliferative Activity via FGF1 and FGFRD2 Blockade - PMC \[pmc.ncbi.nlm.nih.gov\]](#)
- [To cite this document: BenchChem. \[Optimizing Suramin Concentration for Cell Culture Experiments: A Technical Support Guide\]. BenchChem, \[2026\]. \[Online PDF\]. Available at: \[https://www.benchchem.com/product/b15564017/docs#optimizing-suramin-concentration-for-cell-culture-experiments-a-technical-support-guide\]](#)

---

### Disclaimer & Data Validity:

The information provided in this document is for Research Use Only (RUO) and is strictly not intended for diagnostic or therapeutic procedures. While BenchChem strives to provide accurate protocols, we make no warranties, express or implied, regarding the fitness of this product for every specific experimental setup.

**Technical Support:** The protocols provided are for reference purposes. Unsure if this reagent suits your experiment?

**Need Industrial/Bulk Grade?** [Request Custom Synthesis Quote](#)

## BenchChem

Our mission is to be the trusted global source of essential and advanced chemicals, empowering scientists and researchers to drive progress in science and industry.

### Contact

Address: 3281 E Guasti Rd  
Ontario, CA 91761, United States  
Phone: (601) 213-4426  
Email: [info@benchchem.com](mailto:info@benchchem.com)

[Contact our Ph.D. Support Team for a compatibility check](#)