

# Application Notes and Protocols for **1233B**: A MEK1/2 Inhibitor

**Author:** BenchChem Technical Support Team. **Date:** April 2026

## Compound of Interest

Compound Name: *1233B*  
Cat. No.: *B15562551*

[Get Quote](#)

Disclaimer: The compound "**1233B**" is treated as a hypothetical selective MEK1/2 inhibitor for the purpose of these application notes. The following protocols and data are based on established methodologies for well-characterized MEK inhibitors and should be adapted as necessary for specific experimental contexts.

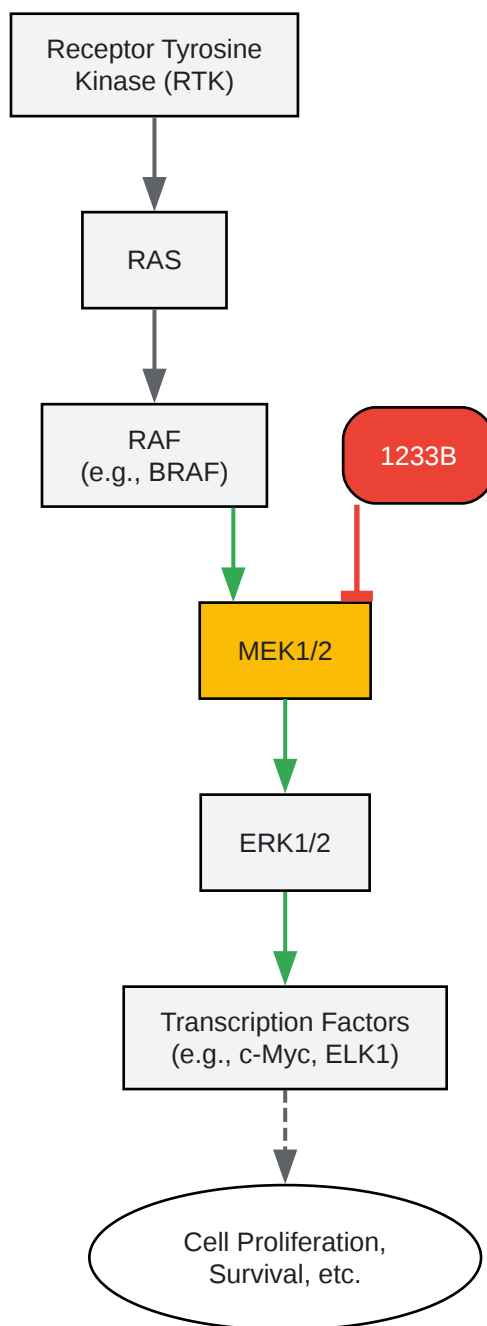
## Introduction

**1233B** is a potent and selective, non-ATP-competitive inhibitor of MEK1 and MEK2 (mitogen-activated protein kinase kinase). The Ras/Raf/MEK/ERK pathway is a critical signaling cascade that regulates a wide range of cellular processes, including proliferation, differentiation, survival, and migration. Dysregulation of this pathway is a key driver in many human cancers, making it an important therapeutic target. These application notes provide detailed protocols for in vitro characterization of **1233B**'s activity and effects on cancer cell lines.

## Mechanism of Action

**1233B** binds to a unique allosteric pocket in the MEK1 and MEK2 enzymes. This binding prevents MEK from phosphorylating its only known downstream substrates, ERK1 and ERK2 (also known as p44/42 MAPK). By inhibiting this crucial step, **1233B** effectively blocks the

entire downstream signaling cascade, leading to a reduction in cell proliferation and survival in tumors with activating mutations in upstream components like BRAF or KRAS.



[Click to download full resolution via product page](#)

**Figure 1:** Simplified Ras/Raf/MEK/ERK signaling pathway and the inhibitory action of **1233B**.

## Quantitative Data Summary

The anti-proliferative activity of **1233B** was assessed across a panel of cancer cell lines with known driver mutations. The half-maximal inhibitory concentration (IC50) was determined after 72 hours of continuous exposure.

Cell Line	Cancer Type	Relevant Mutation	IC50 (nM) for 1233B
A375	Malignant Melanoma	BRAF V600E	0.52
HT-29	Colorectal Carcinoma	BRAF V600E	1.2
HCT116	Colorectal Carcinoma	KRAS G13D	8.5
HeLa	Cervical Cancer	Wild-type BRAF/KRAS	> 1000

Table 1: Anti-proliferative activity of **1233B** in various cancer cell lines.

## Experimental Protocols

### Protocol 1: Cell Viability Assay (MTS Assay)

This protocol determines the effect of **1233B** on cell proliferation and viability.

Materials:

- Cancer cell lines (e.g., A375, HT-29)
- Complete growth medium (e.g., DMEM with 10% FBS)
- 96-well clear-bottom cell culture plates
- **1233B** compound stock solution (e.g., 10 mM in DMSO)
- MTS reagent (e.g., CellTiter 96® AQueous One Solution)
- Plate reader capable of measuring absorbance at 490 nm

Procedure:

- Cell Seeding: Trypsinize and count cells. Seed 2,000-5,000 cells per well in 100  $\mu$ L of complete growth medium in a 96-well plate. Incubate for 24 hours at 37°C, 5% CO<sub>2</sub>.
- Compound Treatment: Prepare serial dilutions of **1233B** in complete growth medium. A typical concentration range would be 0.1 nM to 10  $\mu$ M.
- Remove the medium from the wells and add 100  $\mu$ L of the medium containing the appropriate concentration of **1233B** or vehicle control (e.g., 0.1% DMSO).
- Incubation: Incubate the plate for 72 hours at 37°C, 5% CO<sub>2</sub>.
- MTS Addition: Add 20  $\mu$ L of MTS reagent to each well.
- Final Incubation: Incubate for 1-4 hours at 37°C, protected from light.
- Data Acquisition: Measure the absorbance at 490 nm using a microplate reader.
- Data Analysis: Subtract the background absorbance (medium only). Normalize the results to the vehicle-treated wells (representing 100% viability) and plot the dose-response curve to calculate the IC<sub>50</sub> value using non-linear regression.



[Click to download full resolution via product page](#)

**Figure 2:** Experimental workflow for the cell viability (MTS) assay.

## Protocol 2: Western Blot for Pathway Modulation

This protocol assesses the ability of **1233B** to inhibit the phosphorylation of ERK.

Materials:

- Cancer cell lines (e.g., A375)
- 6-well cell culture plates

- **1233B** compound stock solution
- RIPA lysis buffer with protease and phosphatase inhibitors
- BCA protein assay kit
- SDS-PAGE gels and running buffer
- Transfer system (e.g., PVDF membrane)
- Blocking buffer (e.g., 5% non-fat milk or BSA in TBST)
- Primary antibodies: anti-phospho-ERK1/2 (Thr202/Tyr204), anti-total-ERK1/2, anti-GAPDH or  $\beta$ -actin
- HRP-conjugated secondary antibody
- Chemiluminescent substrate (ECL)
- Imaging system

#### Procedure:

- **Cell Seeding and Treatment:** Seed cells in 6-well plates and grow until they reach 70-80% confluency. Treat cells with various concentrations of **1233B** (e.g., 10 nM, 100 nM, 1  $\mu$ M) and a vehicle control for 2-4 hours.
- **Cell Lysis:** Wash cells with ice-cold PBS. Add 100-150  $\mu$ L of ice-cold RIPA buffer to each well, scrape the cells, and collect the lysate.
- **Protein Quantification:** Centrifuge the lysates to pellet cell debris. Determine the protein concentration of the supernatant using a BCA assay.
- **Sample Preparation:** Normalize protein concentrations for all samples. Add Laemmli sample buffer and boil at 95°C for 5 minutes.
- **SDS-PAGE and Transfer:** Load 20-30  $\mu$ g of protein per lane on an SDS-PAGE gel. Separate proteins by electrophoresis and then transfer them to a PVDF membrane.

- **Blocking and Antibody Incubation:** Block the membrane for 1 hour at room temperature. Incubate the membrane with primary antibodies (e.g., anti-p-ERK at 1:1000 dilution) overnight at 4°C.
- **Secondary Antibody and Detection:** Wash the membrane with TBST. Incubate with an HRP-conjugated secondary antibody for 1 hour at room temperature. Wash again and apply ECL substrate.
- **Imaging:** Acquire the chemiluminescent signal using an imaging system.
- **Stripping and Re-probing:** The membrane can be stripped and re-probed with antibodies for total ERK and a loading control (e.g., GAPDH) to ensure equal protein loading.
- **To cite this document:** BenchChem. [Application Notes and Protocols for 1233B: A MEK1/2 Inhibitor]. BenchChem, [2026]. [Online PDF]. Available at: [<https://www.benchchem.com/product/b15562551/docs#application-notes-and-protocols-for-1233b-a-mek1-2-inhibitor>]

---

#### Disclaimer & Data Validity:

The information provided in this document is for Research Use Only (RUO) and is strictly not intended for diagnostic or therapeutic procedures. While BenchChem strives to provide accurate protocols, we make no warranties, express or implied, regarding the fitness of this product for every specific experimental setup.

**Technical Support:** The protocols provided are for reference purposes. Unsure if this reagent suits your experiment?

**Need Industrial/Bulk Grade?** [Request Custom Synthesis Quote](#)

# BenchChem

Our mission is to be the trusted global source of essential and advanced chemicals, empowering scientists and researchers to drive progress in science and industry.

## Contact

Address: 3281 E Guasti Rd  
Ontario, CA 91761, United States  
Phone: (601) 213-4426  
Email: [info@benchchem.com](mailto:info@benchchem.com)

[Contact our Ph.D. Support Team for a compatibility check](#)