

An In-depth Technical Guide to Oregon Green™ 488, SE

Author: BenchChem Technical Support Team. **Date:** May 2026

Compound of Interest

Compound Name: OG 488, SE

Cat. No.: B15554820

[Get Quote](#)

For Researchers, Scientists, and Drug Development Professionals

This guide provides a comprehensive overview of Oregon Green™ 488, Succinimidyl Ester (**OG 488, SE**), a versatile fluorescent dye widely utilized in biological research. It details the dye's physicochemical properties, provides established experimental protocols for its application, and illustrates relevant biological pathways and experimental workflows.

Core Properties of Oregon Green™ 488, SE

Oregon Green™ 488 is a bright, green-fluorescent dye notable for its high quantum yield and photostability. The succinimidyl ester (SE) moiety allows for the covalent attachment of the dye to primary amines on biomolecules, making it an excellent tool for labeling proteins, antibodies, and other amine-containing molecules. A key advantage of Oregon Green™ 488 is its low pKa of 4.7, which renders its fluorescence essentially pH-insensitive within the physiological range, a significant improvement over fluorescein.[1][2]

Physicochemical and Spectroscopic Data

The following tables summarize the key quantitative data for Oregon Green™ 488, SE.

Chemical Properties	
Molecular Formula	C ₂₅ H ₁₃ F ₂ NO ₉
Molecular Weight	509.37 g/mol
Reactive Group	N-hydroxysuccinimidyl (NHS) ester
Reactivity	Primary amines
Solubility	Soluble in DMSO and DMF

Spectroscopic Properties	
Excitation Maximum (λ_{ex})	496 nm
Emission Maximum (λ_{em})	524 nm
Molar Extinction Coefficient (ϵ)	~76,000 cm ⁻¹ M ⁻¹
Fluorescence Quantum Yield (Φ)	~0.9
Recommended Laser Line	488 nm

Experimental Protocols

Detailed methodologies for common applications of Oregon Green™ 488, SE are provided below. These protocols are intended as a starting point and may require optimization for specific experimental systems.

Protein and Antibody Labeling

This protocol describes the covalent labeling of proteins, such as antibodies, with **OG 488, SE**.

Materials:

- Protein solution (2-10 mg/mL in amine-free buffer, e.g., PBS)
- Oregon Green™ 488, SE
- Anhydrous Dimethylsulfoxide (DMSO) or Dimethylformamide (DMF)

- 1 M Sodium bicarbonate, pH 8.3
- Size-exclusion chromatography column (e.g., Sephadex G-25)

Procedure:

- Prepare Protein Solution: Dissolve the protein in an amine-free buffer. If the buffer pH is below 8.0, adjust to pH 8.3 with 1 M sodium bicarbonate.
- Prepare Dye Stock Solution: Immediately before use, dissolve **OG 488, SE** in anhydrous DMSO or DMF to a concentration of 10 mg/mL.
- Conjugation Reaction:
 - Slowly add the desired molar excess of the reactive dye to the protein solution while gently stirring. A molar ratio of 10-20 moles of dye per mole of protein is a common starting point.
 - Incubate the reaction for 1 hour at room temperature, protected from light.
- Purification:
 - Separate the labeled protein from unreacted dye using a size-exclusion chromatography column (e.g., Sephadex G-25) pre-equilibrated with a suitable buffer (e.g., PBS).
 - Collect the fractions containing the brightly colored, labeled protein.
- Determination of Degree of Labeling (DOL):
 - Measure the absorbance of the conjugate solution at 280 nm and 496 nm.
 - Calculate the protein concentration and the dye concentration using the Beer-Lambert law and the respective extinction coefficients. The ratio of dye concentration to protein concentration yields the DOL.

Cellular Staining for Fluorescence Microscopy

This protocol outlines the general procedure for staining cells with **OG 488, SE**-labeled probes.

Materials:

- Cells cultured on coverslips or in imaging dishes
- **OG 488, SE**-labeled antibody or other probe
- Phosphate-Buffered Saline (PBS)
- Fixative (e.g., 4% paraformaldehyde in PBS)
- Permeabilization buffer (e.g., 0.1% Triton X-100 in PBS), if targeting intracellular antigens
- Blocking buffer (e.g., 1% BSA in PBS)
- Antifade mounting medium

Procedure:

- Cell Fixation: Wash cells with PBS and then fix with 4% paraformaldehyde for 10-15 minutes at room temperature.
- Permeabilization (for intracellular targets): Wash fixed cells with PBS and then permeabilize with permeabilization buffer for 10 minutes.
- Blocking: Wash cells with PBS and block with blocking buffer for 30-60 minutes to reduce non-specific binding.
- Staining:
 - Dilute the **OG 488, SE**-labeled probe to the desired concentration in blocking buffer.
 - Incubate the cells with the diluted probe for 1 hour at room temperature, protected from light.
- Washing: Wash the cells three times with PBS to remove unbound probe.
- Mounting: Mount the coverslip onto a microscope slide using an antifade mounting medium.
- Imaging: Visualize the stained cells using a fluorescence microscope with appropriate filters for OG 488 (excitation ~490 nm, emission ~525 nm).

Flow Cytometry Staining

This protocol details the staining of suspended cells for analysis by flow cytometry.

Materials:

- Single-cell suspension
- FACS buffer (e.g., PBS with 2% FBS and 0.1% sodium azide)
- **OG 488, SE**-conjugated antibody
- Fixative (optional, e.g., 1% paraformaldehyde in PBS)

Procedure:

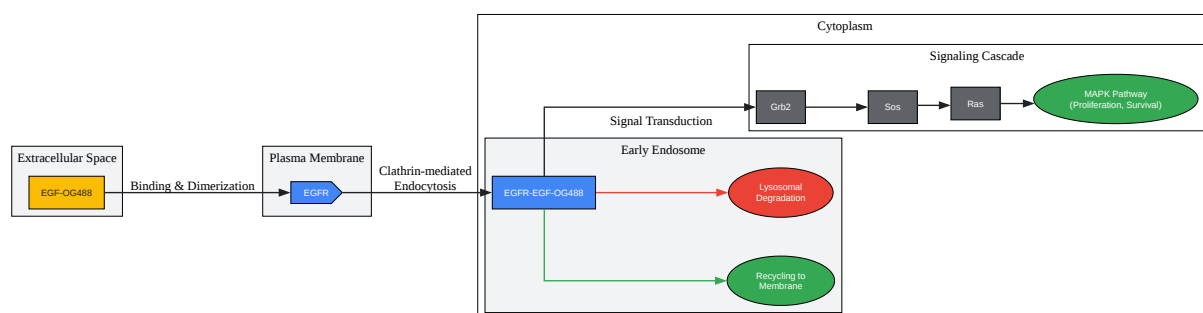
- Cell Preparation: Prepare a single-cell suspension at a concentration of 1×10^6 cells/mL in cold FACS buffer.
- Blocking (optional but recommended): Incubate cells with an Fc receptor blocking agent to prevent non-specific antibody binding.
- Staining:
 - Add the **OG 488, SE**-conjugated antibody at the predetermined optimal concentration.
 - Incubate for 20-30 minutes on ice or at 4°C, protected from light.
- Washing: Wash the cells twice with cold FACS buffer by centrifugation and resuspension.
- Fixation (optional): If not analyzing immediately, resuspend the cells in a suitable fixative.
- Analysis: Resuspend the cells in FACS buffer and analyze on a flow cytometer equipped with a 488 nm laser and appropriate emission filters.

Visualizations

The following diagrams, generated using the DOT language, illustrate a relevant signaling pathway and experimental workflows involving **OG 488, SE**.

Epidermal Growth Factor Receptor (EGFR) Endocytosis and Signaling

Oregon Green™ 488 can be conjugated to Epidermal Growth Factor (EGF) to study its binding to the EGFR and subsequent endocytosis and signaling. This process is crucial for regulating cell growth, proliferation, and differentiation.[3][4][5][6]

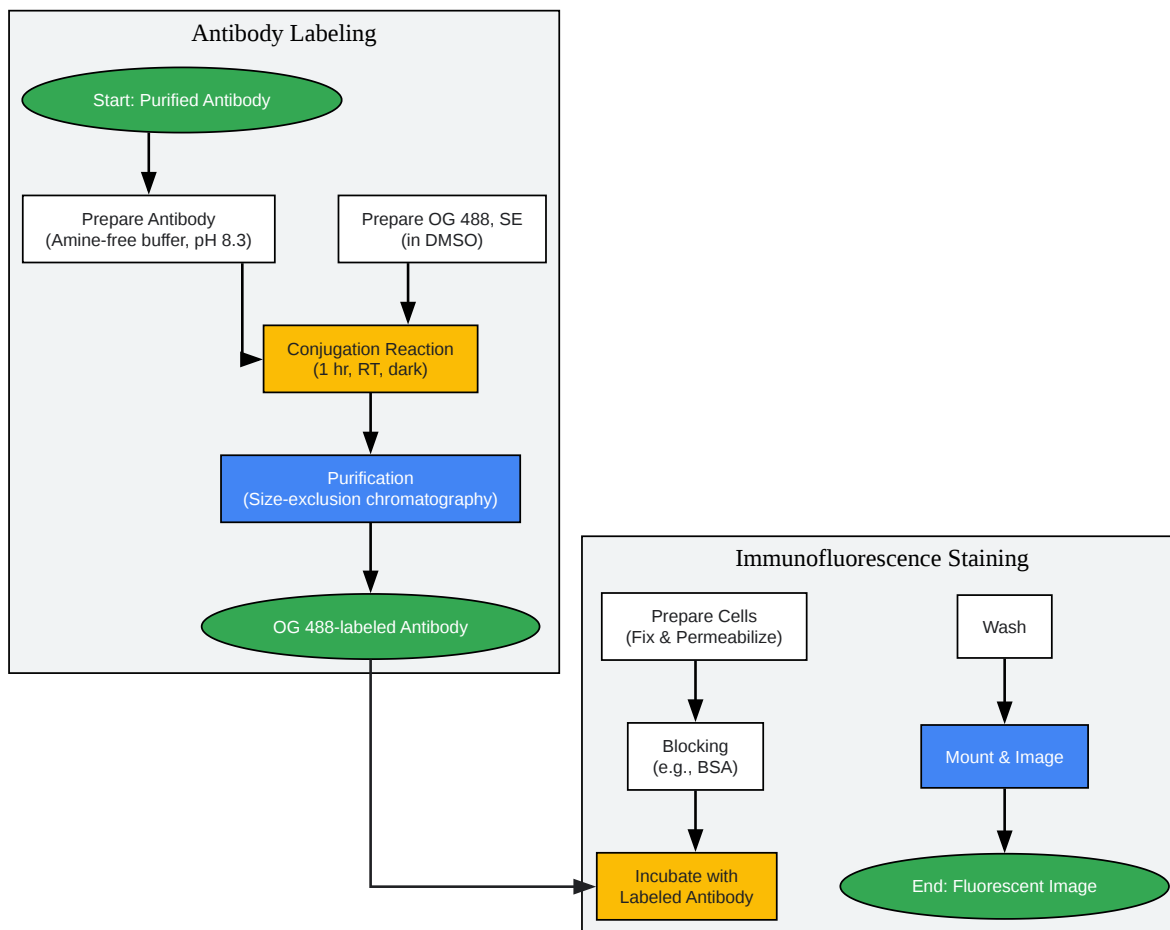


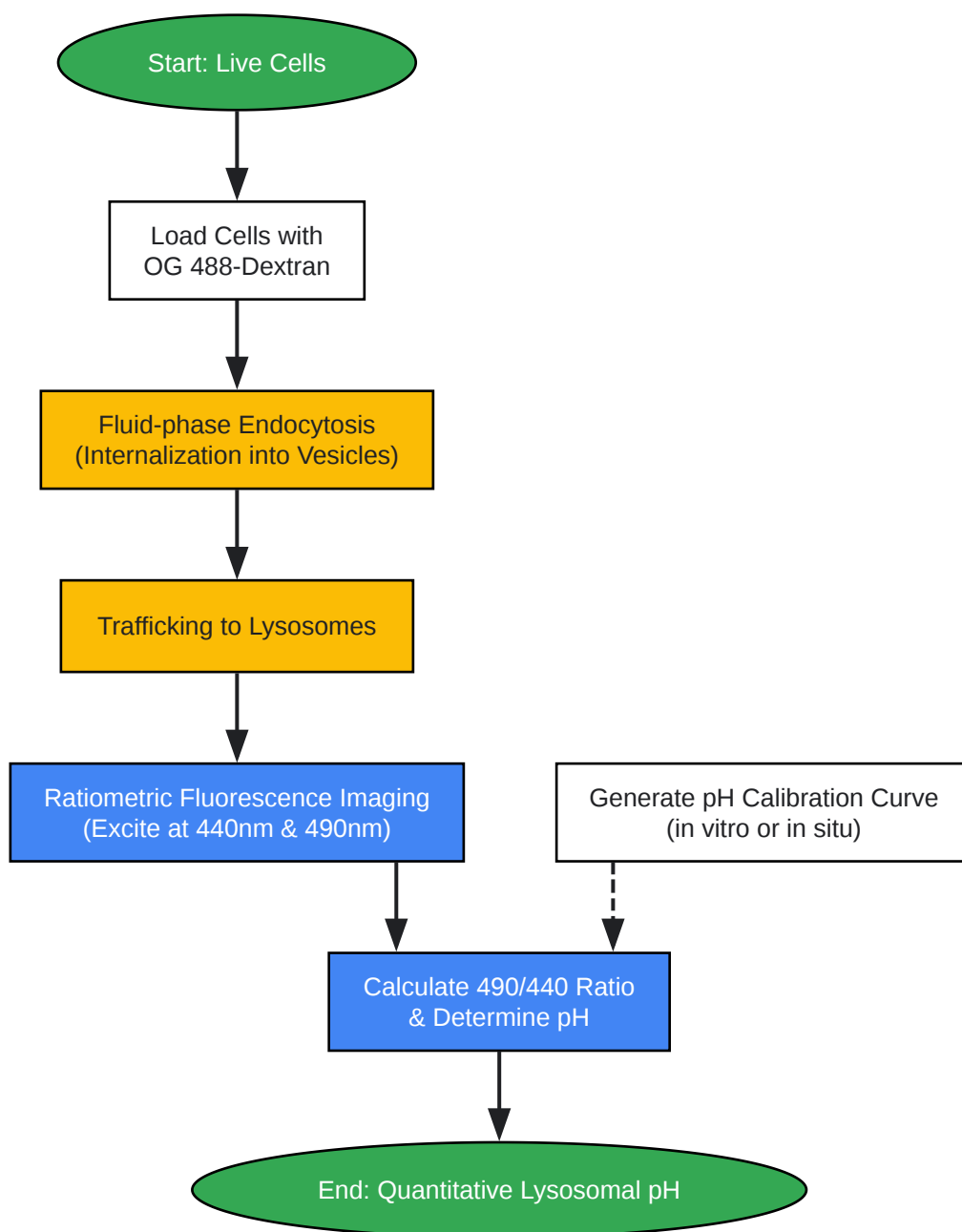
[Click to download full resolution via product page](#)

Caption: EGFR signaling pathway initiated by OG 488-labeled EGF binding.

Experimental Workflow: Antibody Labeling and Immunofluorescence

This diagram outlines the key steps involved in labeling an antibody with **OG 488, SE** and its subsequent use in an immunofluorescence staining experiment.





[Click to download full resolution via product page](#)

Need Custom Synthesis?

BenchChem offers custom synthesis for rare earth carbides and specific isotopic labeling.

Email: info@benchchem.com or [Request Quote Online](#).

References

- 1. GPCR signaling measurement and drug profiling with an automated live-cell microscopy system - PMC [[pmc.ncbi.nlm.nih.gov](https://pubmed.ncbi.nlm.nih.gov/)]
- 2. Single-molecule analysis of fluorescently labeled G-protein–coupled receptors reveals complexes with distinct dynamics and organization - PMC [[pmc.ncbi.nlm.nih.gov](https://pubmed.ncbi.nlm.nih.gov/)]
- 3. EGF receptor signaling, phosphorylation, ubiquitylation and endocytosis in tumors in vivo | eLife [elifesciences.org]
- 4. Methods to study endocytic trafficking of the EGF receptor - PMC [[pmc.ncbi.nlm.nih.gov](https://pubmed.ncbi.nlm.nih.gov/)]
- 5. [researchgate.net](https://www.researchgate.net/) [[researchgate.net](https://www.researchgate.net/)]
- 6. Endosomal Signaling of Epidermal Growth Factor Receptor Stimulates Signal Transduction Pathways Leading to Cell Survival - PMC [[pmc.ncbi.nlm.nih.gov](https://pubmed.ncbi.nlm.nih.gov/)]
- To cite this document: BenchChem. [An In-depth Technical Guide to Oregon Green™ 488, SE]. BenchChem, [2026]. [Online PDF]. Available at: [<https://www.benchchem.com/product/b15554820/docs#an-in-depth-technical-guide-to-oregon-green-488-se>]

Disclaimer & Data Validity:

The information provided in this document is for Research Use Only (RUO) and is strictly not intended for diagnostic or therapeutic procedures. While BenchChem strives to provide accurate protocols, we make no warranties, express or implied, regarding the fitness of this product for every specific experimental setup.

Technical Support: The protocols provided are for reference purposes. Unsure if this reagent suits your experiment?

Need Industrial/Bulk Grade? [Request Custom Synthesis Quote](#)

BenchChem

Our mission is to be the trusted global source of essential and advanced chemicals, empowering scientists and researchers to drive progress in science and industry.

Contact

Address: 3281 E Guasti Rd

Ontario, CA 91761, United States

Phone: (601) 213-4426

Email: info@benchchem.com

Contact our Ph.D. Support Team for a compatibility check