

Technical Support Center: WAY-639418 Dose-Response Curve Optimization

Author: BenchChem Technical Support Team. **Date:** April 2026

Compound of Interest

Compound Name: WAY-639418

Cat. No.: B15552560

[Get Quote](#)

This technical support center provides troubleshooting guides and frequently asked questions (FAQs) for researchers, scientists, and drug development professionals working with **WAY-639418**. The information is presented in a question-and-answer format to directly address specific issues that may be encountered during the generation and optimization of dose-response curves.

Frequently Asked Questions (FAQs)

Q1: What is the mechanism of action for **WAY-639418**?

WAY-639418 is described as a compound with potential anti-inflammatory and anti-HIV activity, suitable for studying CCR5-mediated diseases.[1] C-C chemokine receptor type 5 (CCR5) is a G-protein coupled receptor (GPCR) that functions as a co-receptor for the entry of R5-tropic strains of HIV-1 into host cells. CCR5 antagonists, as a class of molecules, block this interaction, thereby inhibiting viral entry.[2]

Q2: What is a dose-response curve and why is it important for studying **WAY-639418**?

A dose-response curve is a graphical representation of the relationship between the concentration of a drug (dose) and the magnitude of its effect (response).[3][4] These curves

are essential in pharmacology to determine a drug's potency (often measured as EC50 or IC50), efficacy (the maximum effect), and to understand its biological activity.[5][6][7] For **WAY-639418**, generating a dose-response curve is a critical step to quantify its inhibitory effect on CCR5-mediated processes.

Q3: What are the key parameters to derive from a **WAY-639418** dose-response curve?

The primary parameters derived from a dose-response curve are:

- **EC50 (Half Maximal Effective Concentration)**: The concentration of **WAY-639418** that produces 50% of its maximum possible effect. A lower EC50 value indicates higher potency. [8][9]
- **IC50 (Half Maximal Inhibitory Concentration)**: The concentration of **WAY-639418** that inhibits a specific biological or biochemical function by 50%. This is a common measure for antagonists.[10][11]
- **Hill Slope**: Describes the steepness of the curve, which can provide insights into the binding cooperativity of the drug.
- **Maximal Effect (Emax)**: The maximum response achievable with the drug.

Quantitative Data Presentation

As specific experimental data for **WAY-639418** is not publicly available, the following table presents example data for a hypothetical CCR5 antagonist to illustrate how to structure and interpret such results.

Parameter	Value	Cell Line	Assay Type
IC50	8.5 nM	HEK293-CCR5	Radioligand Binding Assay
EC50	12.2 nM	GHOST(3) cells	HIV-1 Entry Assay
CC50	>50 μ M	HEK293	MTT Cytotoxicity Assay

Note: This data is for illustrative purposes only and does not represent actual experimental results for **WAY-639418**.

Experimental Protocols

Radioligand Competition Binding Assay for IC50 Determination

This protocol is adapted for determining the binding affinity of **WAY-639418** to the CCR5 receptor.

Materials:

- HEK293 cell line stably expressing human CCR5 (HEK293-CCR5).
- Radiolabeled CCR5 ligand (e.g., [¹²⁵I]-MIP-1α).
- **WAY-639418** stock solution (in DMSO).
- Binding buffer (e.g., 50 mM HEPES, 1 mM CaCl₂, 5 mM MgCl₂, 0.5% BSA, pH 7.4).
- Wash buffer (e.g., 50 mM Tris-HCl, 150 mM NaCl, pH 7.4).
- Scintillation fluid and counter.

Procedure:

- Cell Preparation: Culture HEK293-CCR5 cells to ~80-90% confluency. Harvest and resuspend cells in binding buffer to a concentration of 1 x 10⁶ cells/mL.
- Compound Dilution: Prepare a serial dilution of **WAY-639418** in binding buffer. A typical concentration range to start with for a novel CCR5 antagonist would be from 0.1 nM to 10 μM.
- Assay Setup: In a 96-well plate, add 50 μL of the cell suspension to each well.
- Add 25 μL of the **WAY-639418** dilutions to the respective wells. For total binding, add 25 μL of binding buffer. For non-specific binding, add a high concentration of an unlabeled known

CCR5 ligand.

- Add 25 μ L of the radiolabeled CCR5 ligand at a final concentration close to its K_d .
- Incubation: Incubate the plate at room temperature for 60-90 minutes with gentle agitation.
- Harvesting and Washing: Rapidly filter the contents of each well through a glass fiber filter mat to separate bound from free radioligand. Wash the filters three times with ice-cold wash buffer.
- Quantification: Place the filter discs in scintillation vials, add scintillation fluid, and count the radioactivity using a scintillation counter.
- Data Analysis: Plot the percentage of specific binding against the log concentration of **WAY-639418**. Fit the data using a non-linear regression model (sigmoidal dose-response) to determine the IC50 value.

Cell Viability (MTT) Assay for Cytotoxicity Assessment

It is crucial to assess the cytotoxicity of **WAY-639418** to ensure that the observed effects in functional assays are not due to cell death.

Materials:

- Target cell line (e.g., HEK293 or the cell line used in the functional assay).
- **WAY-639418** stock solution (in DMSO).
- Complete cell culture medium.
- MTT solution (5 mg/mL in PBS).
- Solubilization solution (e.g., DMSO or a solution of 10% SDS in 0.01 M HCl).
- 96-well plate reader.

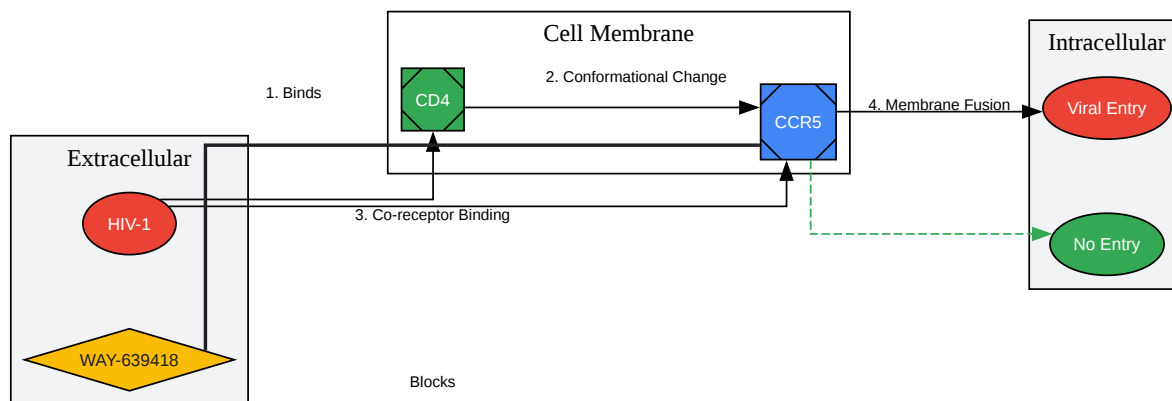
Procedure:

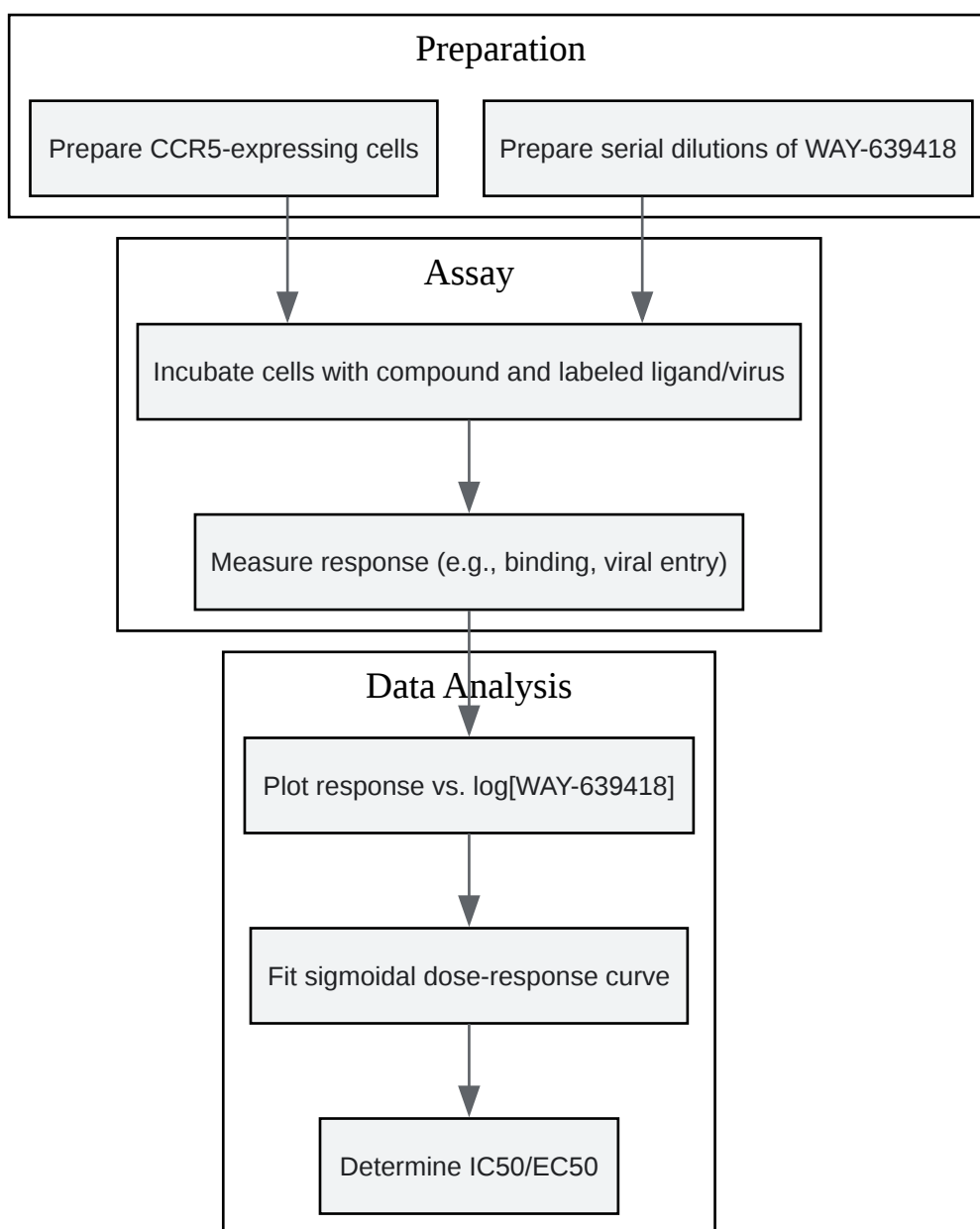
- **Cell Seeding:** Seed cells in a 96-well plate at an appropriate density (e.g., 5,000-10,000 cells/well) and allow them to adhere overnight.
- **Compound Addition:** Prepare serial dilutions of **WAY-639418** in culture medium. Remove the old medium from the cells and add the compound dilutions. Include a vehicle control (DMSO at the highest concentration used) and a positive control for cytotoxicity (e.g., a known cytotoxic agent).
- **Incubation:** Incubate the plate for a duration relevant to your functional assay (e.g., 24, 48, or 72 hours).
- **MTT Addition:** Add 10 μL of MTT solution to each well and incubate for 2-4 hours at 37°C, allowing for the formation of formazan crystals.
- **Solubilization:** Add 100 μL of the solubilization solution to each well and incubate for at least 1 hour at 37°C to dissolve the formazan crystals.
- **Measurement:** Measure the absorbance at a wavelength of 570 nm using a plate reader.
- **Data Analysis:** Plot cell viability (%) against the log concentration of **WAY-639418** to determine the CC50 (50% cytotoxic concentration).

Troubleshooting Guide

Issue	Possible Cause(s)	Recommended Solution(s)
<p>Poor curve fit or high data scatter</p>	<ul style="list-style-type: none"> - Inaccurate pipetting- Cell clumping or uneven seeding- Compound precipitation 	<ul style="list-style-type: none"> - Use calibrated pipettes and proper technique.- Ensure a single-cell suspension before seeding.- Visually inspect compound dilutions for precipitation. If necessary, adjust the solvent or use sonication.
<p>No dose-response observed</p>	<ul style="list-style-type: none"> - WAY-639418 is inactive in the tested concentration range.- Low or no CCR5 expression on the cell line.- Degraded compound. 	<ul style="list-style-type: none"> - Test a wider range of concentrations.- Verify CCR5 expression using flow cytometry or western blotting.- Prepare fresh stock solutions of WAY-639418.
<p>Inconsistent results between experiments</p>	<ul style="list-style-type: none"> - Variation in cell passage number or health.- Different incubation times.- Lot-to-lot variability of reagents. 	<ul style="list-style-type: none"> - Use cells within a defined passage number range.- Standardize all incubation times.- Qualify new lots of critical reagents.
<p>High background signal</p>	<ul style="list-style-type: none"> - Insufficient washing in binding assays.- Non-specific binding of the compound. 	<ul style="list-style-type: none"> - Increase the number and volume of wash steps.- Include appropriate controls to assess non-specific effects.
<p>Observed effect is due to cytotoxicity</p>	<ul style="list-style-type: none"> - The compound is toxic at the tested concentrations. 	<ul style="list-style-type: none"> - Perform a cytotoxicity assay (e.g., MTT) in parallel. Only use non-toxic concentrations in functional assays.

Visualizations





[Click to download full resolution via product page](#)

Need Custom Synthesis?

BenchChem offers custom synthesis for rare earth carbides and specific isotopic labeling.

Email: info@benchchem.com or [Request Quote Online](#).

References

- 1. WAY-639418 - Immunomart [immunomart.com]
- 2. CCR5 receptor antagonist - Wikipedia [en.wikipedia.org]
- 3. Targeting of specific CCR5-G protein complexes underlies biased signaling by HIV-1 envelope glycoproteins - PMC [pubmed.ncbi.nlm.nih.gov]
- 4. genomica.uaslp.mx [genomica.uaslp.mx]
- 5. rupress.org [rupress.org]
- 6. mdpi.com [mdpi.com]
- 7. HIV-1 tropism testing and clinical management of CCR5 antagonists: Quebec review and recommendations - PMC [pubmed.ncbi.nlm.nih.gov]
- 8. EC50 - Wikipedia [en.wikipedia.org]
- 9. GraphPad Prism 10 Curve Fitting Guide - The EC50 [[graphpad.com](https://www.graphpad.com)]
- 10. IC50 - Wikipedia [en.wikipedia.org]
- 11. 50% of what? How exactly are IC50 and EC50 defined? - FAQ 1356 - GraphPad [[graphpad.com](https://www.graphpad.com)]
- To cite this document: BenchChem. [Technical Support Center: WAY-639418 Dose-Response Curve Optimization]. BenchChem, [2026]. [Online PDF]. Available at: [<https://www.benchchem.com/product/b15552560/docs#technical-support-center-way-639418-dose-response-curve-optimization>]

Disclaimer & Data Validity:

The information provided in this document is for Research Use Only (RUO) and is strictly not intended for diagnostic or therapeutic procedures. While BenchChem strives to provide accurate protocols, we make no warranties, express or implied, regarding the fitness of this product for every specific experimental setup.

Technical Support: The protocols provided are for reference purposes. Unsure if this reagent suits your experiment?

Need Industrial/Bulk Grade? [Request Custom Synthesis Quote](#)

BenchChem

Our mission is to be the trusted global source of essential and advanced chemicals, empowering scientists and researchers to drive progress in science and industry.

Contact

Address: 3281 E Guasti Rd

Ontario, CA 91761, United States

Phone: (601) 213-4426

Email: info@benchchem.com

[Contact our Ph.D. Support Team for a compatibility check](#)