

# Comparing the efficiency of different carbon fixation pathways.

**Author:** BenchChem Technical Support Team. **Date:** April 2026

## Compound of Interest

Compound Name: *L-erythro-3-Methylmalyl-CoA*

Cat. No.: B15546807

[Get Quote](#)

## A Comparative Analysis of Carbon Fixation Pathway Efficiency

For Researchers, Scientists, and Drug Development Professionals

This guide provides a comprehensive comparison of the efficiency of major carbon fixation pathways, offering quantitative data, detailed experimental protocols, and visual representations to support research and development in plant science, bioengineering, and drug development.

### Overview of Carbon Fixation Pathways

Carbon fixation is the process by which inorganic carbon, primarily carbon dioxide (CO<sub>2</sub>), is converted into organic compounds by living organisms. The efficiency of this process is paramount to plant productivity and has significant implications for agriculture and biofuel development. The three primary photosynthetic carbon fixation pathways in plants are the C<sub>3</sub>, C<sub>4</sub>, and Crassulacean Acid Metabolism (CAM) pathways. Beyond these, other natural and synthetic pathways offer unique advantages and potential for bioengineering.

**C3 Pathway:** The most common pathway, where CO<sub>2</sub> is initially fixed by the enzyme Ribulose-1,5-bisphosphate carboxylase/oxygenase (RuBisCO) to form a three-carbon compound. This pathway is susceptible to photorespiration, a wasteful process that releases previously fixed carbon, especially in hot, dry conditions.[1][2]

**C4 Pathway:** An adaptation to minimize photorespiration, C4 plants initially fix CO<sub>2</sub> in mesophyll cells using phosphoenolpyruvate carboxylase (PEPCase), which has a higher affinity for CO<sub>2</sub> than RuBisCO.[2][3] This creates a four-carbon compound that is transported to bundle sheath cells, where CO<sub>2</sub> is concentrated and then enters the C3 cycle. This spatial separation of initial CO<sub>2</sub> fixation and the Calvin cycle makes C4 plants more efficient in high light and high-temperature environments.[4][5]

**CAM Pathway:** Found in succulent plants adapted to arid conditions, the CAM pathway separates CO<sub>2</sub> fixation temporally. Stomata open at night to fix CO<sub>2</sub> into organic acids, which are stored in vacuoles. During the day, the stomata close to conserve water, and the stored organic acids release CO<sub>2</sub> for the Calvin cycle.[3]

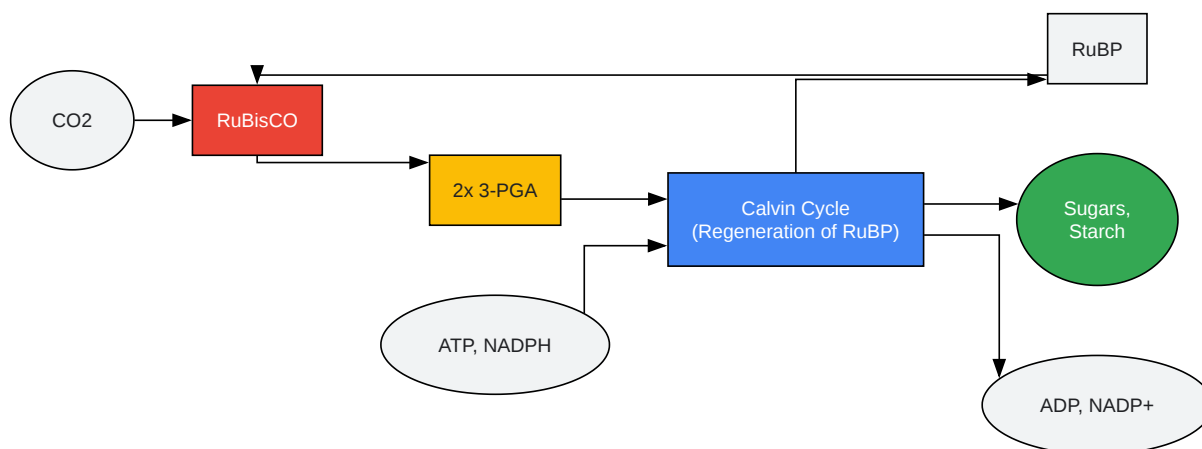
## Quantitative Comparison of Pathway Efficiency

The efficiency of carbon fixation pathways can be evaluated based on several key metrics, including energetic requirements (ATP and NADPH), quantum yield, CO<sub>2</sub> compensation point, and water-use efficiency.

Parameter	C3 Pathway	C4 Pathway	CAM Pathway	Other Natural Pathways (e.g., rTCA)	Synthetic Pathways
Primary Carboxylating Enzyme	RuBisCO	PEPCase & RuBisCO	PEPCase & RuBisCO	Various (e.g., Ferredoxin-dependent carboxylases)	Engineered enzymes (e.g., crotonyl-CoA carboxylase/reductase)
ATP:NADPH per CO <sub>2</sub> fixed	3:2	5:2	5.5-6.5:2	Varies, often lower ATP requirement	Designed for high efficiency, can be lower than natural pathways
Quantum Yield (mol CO <sub>2</sub> /mol photons)	~0.052 (at 30°C, 21% O <sub>2</sub> )	~0.053 (at 30°C, 21% O <sub>2</sub> )	Variable, generally lower than C3/C4 in high light	Not well-established for higher plants	Theoretically high, dependent on design
CO <sub>2</sub> Compensation Point (ppm)	40-100	0-10	0-5 (at night)	Low	Theoretically very low
Optimal Temperature (°C)	15-25	30-45	>35	Varies	Varies
Water-Use Efficiency (g biomass/kg H <sub>2</sub> O)	1-3	2-5	10-40	Not applicable to terrestrial plants	Not applicable to terrestrial plants
Photorespiration	High	Negligible	Negligible	Absent	Absent

# Signaling Pathways and Metabolic Cycles

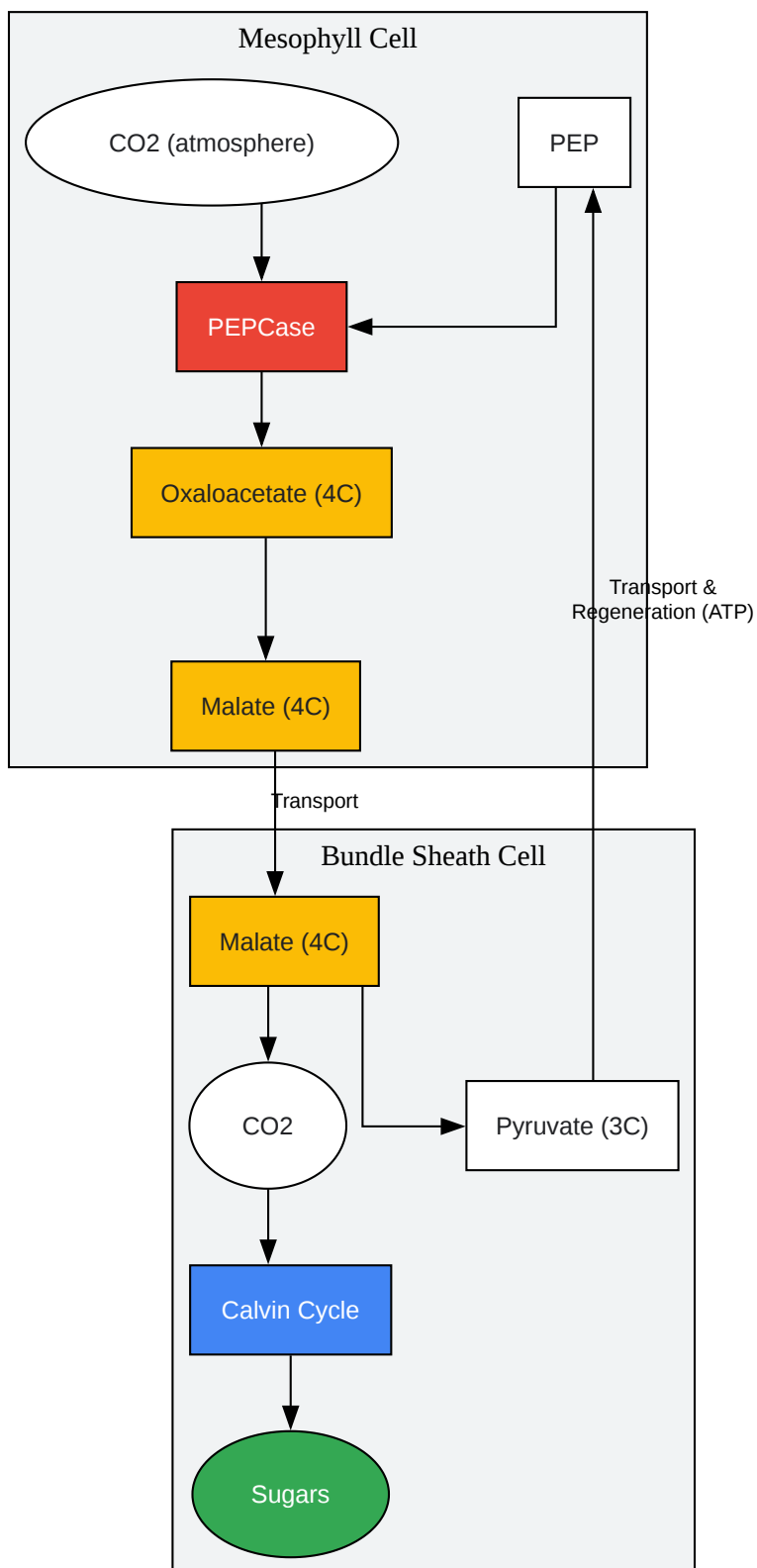
## The C3 Carbon Fixation Pathway



[Click to download full resolution via product page](#)

Caption: The C3 carbon fixation pathway.

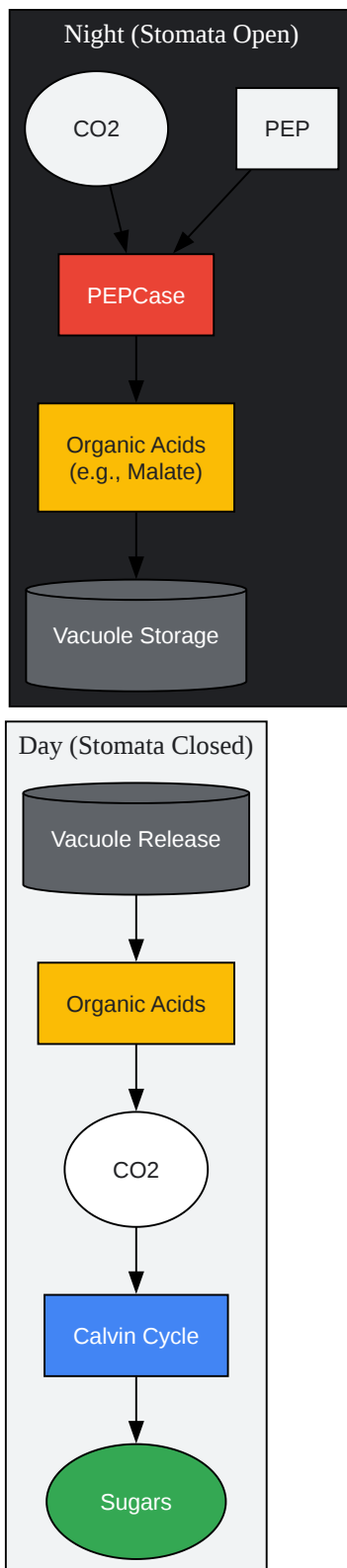
## The C4 Carbon Fixation Pathway



[Click to download full resolution via product page](#)

Caption: The C4 carbon fixation pathway.

## The CAM Pathway (Temporal Separation)



[Click to download full resolution via product page](#)

Caption: The CAM carbon fixation pathway.

## Experimental Protocols

### Measurement of Net CO<sub>2</sub> Assimilation Rate using Infrared Gas Analysis (IRGA)

Objective: To determine the rate of CO<sub>2</sub> uptake by a leaf, providing a measure of net photosynthetic activity.

Principle: An Infrared Gas Analyzer (IRGA) measures the differential concentration of CO<sub>2</sub> in the air entering and exiting a sealed leaf chamber.<sup>[6][7][8]</sup> The decrease in CO<sub>2</sub> concentration is used to calculate the rate of assimilation.

Materials:

- Portable photosynthesis system with an IRGA (e.g., LI-COR LI-6800)
- Leaf chamber appropriate for the plant species
- Light source with controllable intensity
- CO<sub>2</sub> injection system
- Temperature control system

Procedure:

- System Calibration and Setup: Calibrate the IRGA according to the manufacturer's instructions. Set the desired environmental conditions within the leaf chamber (light intensity, temperature, CO<sub>2</sub> concentration, and humidity).
- Leaf Selection: Choose a healthy, fully expanded leaf that has been exposed to the desired light conditions for at least 30 minutes to ensure photosynthetic induction.
- Clamping the Leaf: Gently enclose the selected leaf within the chamber, ensuring a good seal to prevent leaks.

- **Acclimation:** Allow the leaf to acclimate to the chamber conditions until a stable gas exchange rate is achieved (typically 10-20 minutes).
- **Data Logging:** Record the net CO<sub>2</sub> assimilation rate (A), stomatal conductance (gs), and intercellular CO<sub>2</sub> concentration (Ci) provided by the instrument's software.
- **A-Ci Curve Generation (Optional):** To assess the biochemical limitations of photosynthesis, an A-Ci curve can be generated by systematically varying the CO<sub>2</sub> concentration in the chamber and recording the corresponding assimilation rates.[\[9\]](#)

## Determination of RuBisCO and PEPCase Activity

**Objective:** To quantify the in vitro activity of the primary carboxylating enzymes.

**Principle:** Enzyme activity is measured by monitoring the rate of substrate consumption or product formation under optimal conditions. For RuBisCO, this is often done using a <sup>14</sup>CO<sub>2</sub>-based radiometric assay or a spectrophotometric assay coupled to NADH oxidation.[\[10\]](#)[\[11\]](#) PEPCase activity is typically measured spectrophotometrically by coupling the reaction to malate dehydrogenase and monitoring NADH oxidation.[\[12\]](#)

**Materials:**

- Spectrophotometer or liquid scintillation counter
- Centrifuge
- Homogenization buffer
- Assay-specific reagents (e.g., RuBP, PEP, <sup>14</sup>C-bicarbonate, NADH, coupling enzymes)

**Procedure (General Outline):**

- **Tissue Extraction:** Harvest leaf tissue and immediately freeze in liquid nitrogen to stop metabolic activity. Grind the frozen tissue to a fine powder and extract the soluble proteins using a specific ice-cold extraction buffer.[\[13\]](#)
- **Centrifugation:** Centrifuge the homogenate to pellet cell debris and obtain the supernatant containing the soluble enzymes.

- Enzyme Assay:
  - RuBisCO (Radiometric): Initiate the reaction by adding the leaf extract to an assay mixture containing RuBP and  $^{14}\text{C}$ -bicarbonate. After a specific time, stop the reaction with acid and measure the incorporated radioactivity in the acid-stable products using a scintillation counter.[10]
  - PEPCase (Spectrophotometric): Add the leaf extract to a cuvette containing the assay buffer, PEP, and NADH. Start the reaction by adding the coupling enzyme (malate dehydrogenase). Monitor the decrease in absorbance at 340 nm as NADH is oxidized.[14]
- Data Analysis: Calculate the enzyme activity based on the rate of change in radioactivity or absorbance, normalized to the total protein content of the extract.

## Isotopic Labeling to Trace Carbon Flow

Objective: To follow the path of carbon through the metabolic pathways.[15]

Principle: Plants are exposed to a stable (e.g.,  $^{13}\text{CO}_2$ ) or radioactive (e.g.,  $^{14}\text{CO}_2$ ) isotope of carbon.[15][16] The labeled carbon is incorporated into metabolic intermediates, which can then be identified and quantified.

Materials:

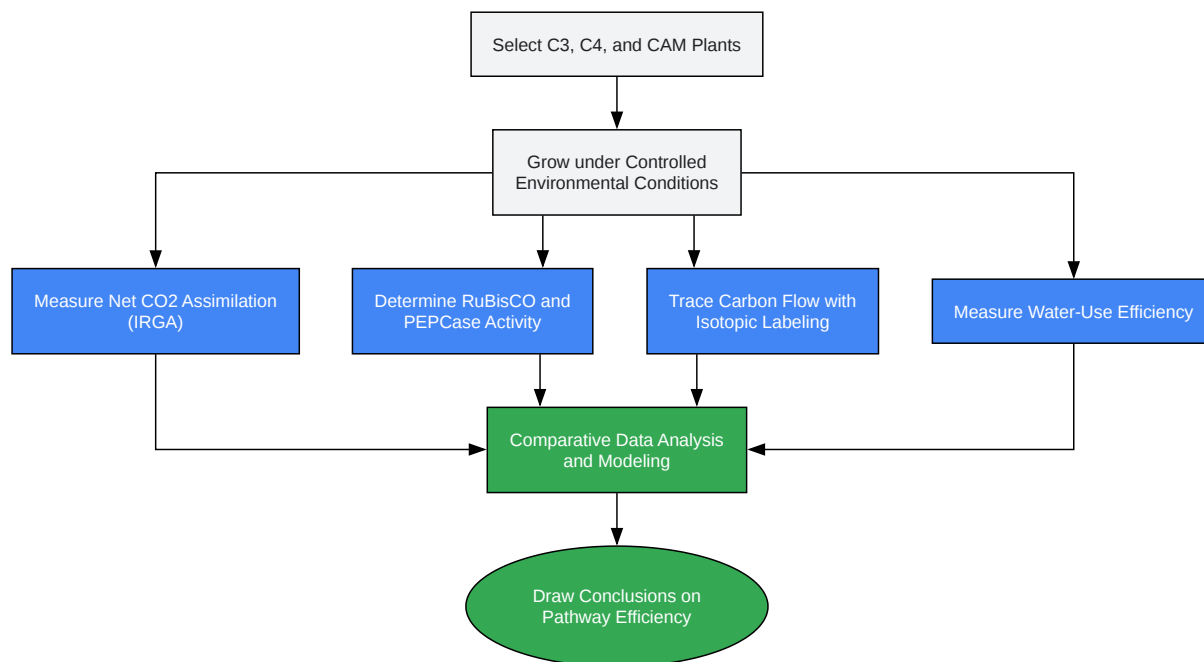
- Growth chamber with a controlled atmosphere
- $^{13}\text{CO}_2$  or  $^{14}\text{CO}_2$  gas
- Liquid chromatography-mass spectrometry (LC-MS) or gas chromatography-mass spectrometry (GC-MS) for stable isotopes
- Autoradiography or liquid scintillation counting for radioisotopes
- Metabolite extraction reagents

Procedure:

- Labeling: Place the plant in a sealed chamber and introduce the labeled CO<sub>2</sub> for a defined period.
- Quenching and Extraction: At various time points, rapidly harvest the plant tissue and quench metabolic activity (e.g., by freezing in liquid nitrogen). Extract the metabolites using appropriate solvents.
- Analysis:
  - Stable Isotopes: Separate and identify the metabolites using LC-MS or GC-MS. The mass spectrometer will detect the mass shift due to the incorporation of <sup>13</sup>C.
  - Radioisotopes: Separate the metabolites using techniques like paper chromatography or thin-layer chromatography. Visualize the labeled compounds by exposing the chromatogram to X-ray film (autoradiography) or by scraping the spots and measuring their radioactivity with a liquid scintillation counter.[\[17\]](#)
- Pathway Reconstruction: By analyzing the distribution of the label in different metabolites over time, the flow of carbon through the pathway can be determined.

## Experimental Workflow and Logic

### Workflow for Comparing Photosynthetic Efficiency



[Click to download full resolution via product page](#)

### Need Custom Synthesis?

BenchChem offers custom synthesis for rare earth carbides and specific isotopic labeling.

Email: [info@benchchem.com](mailto:info@benchchem.com) or [Request Quote Online](#).

## References

- 1. [multiarticlesjournal.com](https://multiarticlesjournal.com) [[multiarticlesjournal.com](https://multiarticlesjournal.com)]

- 2. [researchgate.net](https://researchgate.net) [[researchgate.net](https://researchgate.net)]
- 3. [ripe.illinois.edu](https://ripe.illinois.edu) [[ripe.illinois.edu](https://ripe.illinois.edu)]
- 4. Systematic Comparison of C3 and C4 Plants Based on Metabolic Network Analysis - PMC [[pmc.ncbi.nlm.nih.gov](https://pmc.ncbi.nlm.nih.gov)]
- 5. [academic.oup.com](https://academic.oup.com) [[academic.oup.com](https://academic.oup.com)]
- 6. How to Analyze Photosynthesis in Plants: Methods and Tools - CID Bio-Science [[cid-inc.com](https://cid-inc.com)]
- 7. [iwaponline.com](https://iwaponline.com) [[iwaponline.com](https://iwaponline.com)]
- 8. Plant stress measurement - Wikipedia [[en.wikipedia.org](https://en.wikipedia.org)]
- 9. [prometheusprotocols.net](https://prometheusprotocols.net) [[prometheusprotocols.net](https://prometheusprotocols.net)]
- 10. [protocols.io](https://protocols.io) [[protocols.io](https://protocols.io)]
- 11. Spectrophotometric Determination of RuBisCO Activity and Activation State in Leaf Extracts | Springer Nature Experiments [[experiments.springernature.com](https://experiments.springernature.com)]
- 12. Improved analysis of C4 and C3 photosynthesis via refined in vitro assays of their carbon fixation biochemistry - PMC [[pmc.ncbi.nlm.nih.gov](https://pmc.ncbi.nlm.nih.gov)]
- 13. [academic.oup.com](https://academic.oup.com) [[academic.oup.com](https://academic.oup.com)]
- 14. [researchgate.net](https://researchgate.net) [[researchgate.net](https://researchgate.net)]
- 15. Isotopic labeling - Wikipedia [[en.wikipedia.org](https://en.wikipedia.org)]
- 16. [taylorandfrancis.com](https://taylorandfrancis.com) [[taylorandfrancis.com](https://taylorandfrancis.com)]
- 17. [youtube.com](https://youtube.com) [[youtube.com](https://youtube.com)]
- To cite this document: BenchChem. [Comparing the efficiency of different carbon fixation pathways.]. BenchChem, [2026]. [Online PDF]. Available at: [<https://www.benchchem.com/product/b15546807/docs#comparing-the-efficiency-of-different-carbon-fixation-pathways>]

---

### Disclaimer & Data Validity:

The information provided in this document is for Research Use Only (RUO) and is strictly not intended for diagnostic or therapeutic procedures. While BenchChem strives to provide accurate protocols, we make no warranties, express or implied, regarding the fitness of this product for every specific experimental setup.

**Technical Support:** The protocols provided are for reference purposes. Unsure if this reagent suits your experiment?

**Need Industrial/Bulk Grade?** [Request Custom Synthesis Quote](#)

## BenchChem

Our mission is to be the trusted global source of essential and advanced chemicals, empowering scientists and researchers to drive progress in science and industry.

### Contact

Address: 3281 E Guasti Rd  
Ontario, CA 91761, United States  
Phone: (601) 213-4426  
Email: [info@benchchem.com](mailto:info@benchchem.com)

[Contact our Ph.D. Support Team for a compatibility check](#)