

# Application Notes: Detection of TACC3 Protein via Western Blot

**Author:** BenchChem Technical Support Team. **Date:** April 2026

## Compound of Interest

Compound Name: SNIPER(TACC3)-1 hydrochloride

Cat. No.: B15542711

[Get Quote](#)

## Introduction

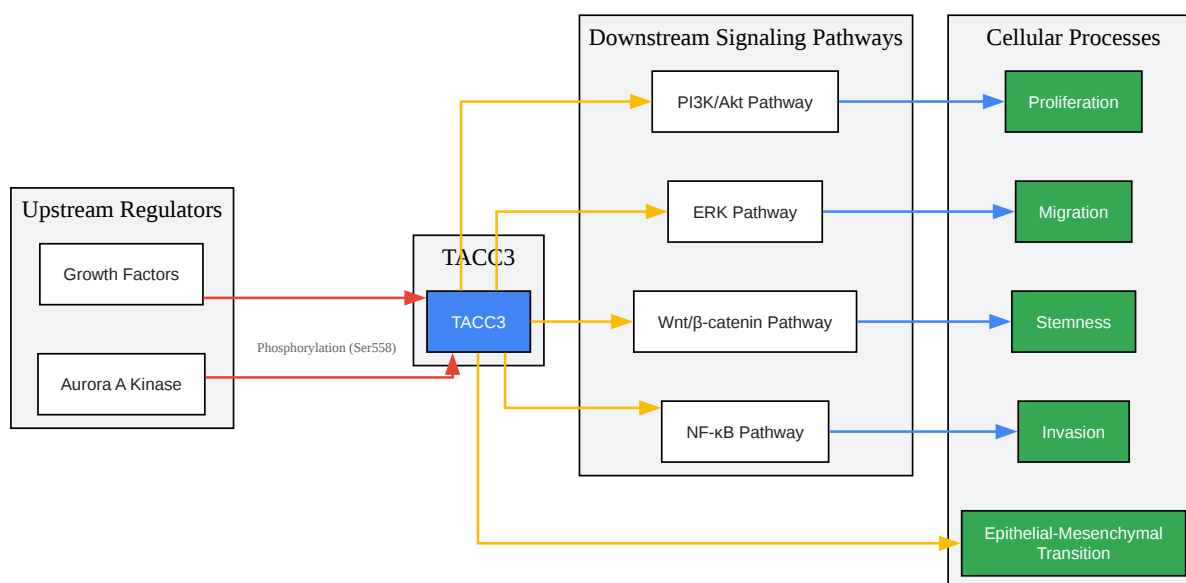
Transforming Acidic Coiled-Coil Containing Protein 3 (TACC3) is a crucial regulator of microtubule dynamics and is essential for the stability and function of the mitotic spindle. Its overexpression has been implicated in various malignancies, correlating with tumor progression, aggressiveness, and poor prognosis in cancers such as breast, gastric, and hepatocellular carcinoma. TACC3 is a multifaceted protein involved in several key oncogenic signaling pathways, including the PI3K/Akt, ERK, Wnt/ $\beta$ -catenin, and NF- $\kappa$ B pathways.[1][2][3][4][5] Accurate and reliable detection of TACC3 protein levels is therefore critical for both basic research and clinical investigations. Western blotting provides a robust method for quantifying TACC3 expression in cell lysates and tissue homogenates.

**Target Audience:** This document is intended for researchers, scientists, and drug development professionals familiar with standard molecular biology techniques.

## TACC3 Signaling Pathways

TACC3 is a key node in several signaling cascades that regulate cell proliferation, migration, invasion, and stemness.[5] Its activity is modulated by upstream kinases, and it, in turn, influences a variety of downstream effectors. TACC3 has been shown to activate the PI3K/Akt

and ERK signaling pathways, which are central to cell growth and survival.[1][4][5] Furthermore, TACC3 can modulate the Wnt/ $\beta$ -catenin and NF- $\kappa$ B signaling pathways, impacting cell fate and inflammatory responses.[1][2][3]



[Click to download full resolution via product page](#)

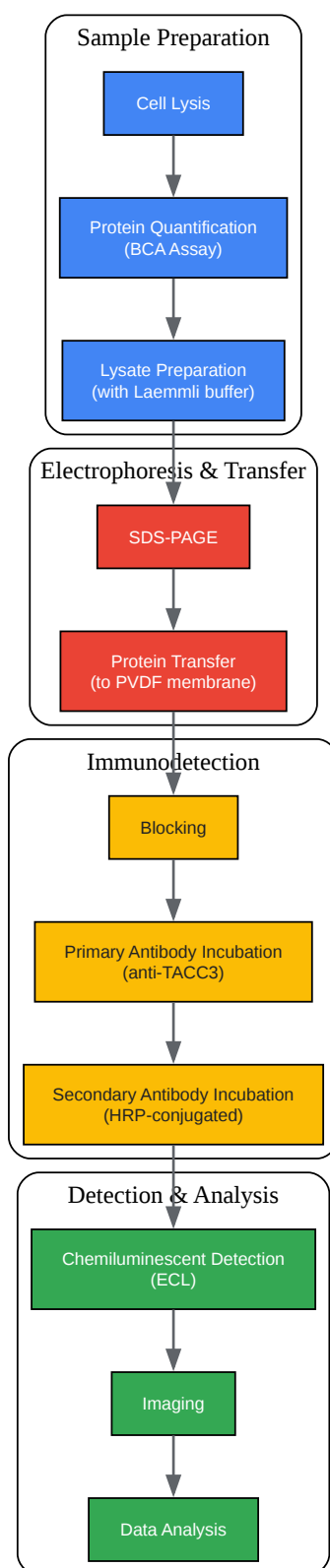
**Figure 1:** TACC3 Signaling Pathways Overview

## Western Blot Protocol for TACC3 Detection

This protocol provides a detailed methodology for the detection of human TACC3 protein in cell lysates.

### Experimental Workflow

The Western blot procedure for TACC3 detection involves several sequential steps, from sample preparation to signal detection, to ensure accurate and reproducible results.



[Click to download full resolution via product page](#)

**Figure 2:** Western Blot Experimental Workflow

## Materials and Reagents

- Cells: Human cell lines known to express TACC3 (e.g., 293T, HeLa, U-2 OS, HT-29).[6][7]
- Lysis Buffer: RIPA buffer supplemented with protease and phosphatase inhibitors.
- Protein Assay: BCA Protein Assay Kit.
- Loading Buffer: 4X Laemmli sample buffer.
- SDS-PAGE: Precast or hand-cast polyacrylamide gels (8-10%).
- Running Buffer: 1X Tris-Glycine-SDS buffer.
- Transfer Buffer: 1X Tris-Glycine buffer with 20% methanol.
- Membranes: PVDF membranes (0.45  $\mu\text{m}$ ).
- Blocking Buffer: 5% non-fat dry milk or 5% BSA in TBST (Tris-buffered saline with 0.1% Tween-20).[8]
- Primary Antibody: Rabbit anti-TACC3 antibody.
- Secondary Antibody: HRP-conjugated Goat Anti-Rabbit IgG.
- Detection Reagent: Enhanced Chemiluminescence (ECL) substrate.

## Detailed Protocol

1. Cell Lysis and Protein Quantification
  - a. Harvest cells and wash with ice-cold PBS.
  - b. Lyse the cell pellet with ice-cold RIPA buffer containing protease and phosphatase inhibitors.
  - c. Incubate on ice for 30 minutes with periodic vortexing.
  - d. Centrifuge at 14,000 x g for 15 minutes at 4°C to pellet cell debris.
  - e. Transfer the supernatant (cell lysate) to a new tube.
  - f. Determine the protein concentration using a BCA protein assay.
2. Sample Preparation and SDS-PAGE
  - a. Dilute the cell lysates to the desired concentration with lysis buffer.
  - b. Add 4X Laemmli sample buffer to the lysates to a final concentration of 1X.

c. Boil the samples at 95-100°C for 5 minutes. d. Load 25 µg of protein per lane onto an SDS-PAGE gel. e. Run the gel at 100-120V until the dye front reaches the bottom.

3. Protein Transfer a. Equilibrate the gel and PVDF membrane in transfer buffer. b. Assemble the transfer stack and transfer the proteins to the PVDF membrane at 100V for 1-2 hours at 4°C.

4. Immunoblotting a. After transfer, wash the membrane briefly with TBST. b. Block the membrane with blocking buffer for 1 hour at room temperature with gentle agitation. c. Incubate the membrane with the primary anti-TACC3 antibody diluted in blocking buffer overnight at 4°C with gentle shaking.[8] d. Wash the membrane three times for 10 minutes each with TBST. e. Incubate the membrane with the HRP-conjugated secondary antibody diluted in blocking buffer for 1 hour at room temperature. f. Wash the membrane three times for 10 minutes each with TBST.

5. Detection a. Prepare the ECL substrate according to the manufacturer's instructions. b. Incubate the membrane with the ECL substrate for 1-5 minutes. c. Capture the chemiluminescent signal using an imaging system. Exposure times may vary.

## Quantitative Data Summary

The following table summarizes the recommended quantitative parameters for TACC3 Western blotting, compiled from various sources.

Parameter	Recommended Value	Source(s)
Protein Loading Amount	25 µg per lane	
Primary Antibody Dilution	1:1000 - 1:4000	[9]
Secondary Antibody Dilution	1:10000	
Primary Antibody Incubation	Overnight at 4°C or 1.5 hours at room temperature	[8][9]
Blocking Buffer	3-5% non-fat dry milk or 5% BSA in TBST	[8]
Observed Molecular Weight	~160 kDa	[9]

Note on Molecular Weight: The calculated molecular weight of TACC3 is approximately 91 kDa, however, it is often observed at a higher molecular weight (~160 kDa) on Western blots, likely due to post-translational modifications.[9]

## Troubleshooting

- No or Weak Signal: Increase protein load, primary antibody concentration, or exposure time. Ensure transfer was successful by Ponceau S staining.
- High Background: Increase the number and duration of washes. Ensure the blocking step was sufficient. Use a fresh blocking buffer.
- Non-specific Bands: Optimize antibody dilution. Ensure the purity of the cell lysate. Use a more specific antibody if necessary.

This detailed protocol and the accompanying data should enable researchers to successfully perform Western blot analysis for the TACC3 protein.

## References

- 1. [Frontiers | Inhibiting of TACC3 Promotes Cell Proliferation, Cell Invasion and the EMT Pathway in Breast Cancer \[frontiersin.org\]](#)
- 2. [Downregulation of TACC3 inhibits tumor growth and migration in osteosarcoma cells through regulation of the NF-κB signaling pathway - PMC \[pmc.ncbi.nlm.nih.gov\]](#)
- 3. [TACC3 promotes stemness and is a potential therapeutic target in hepatocellular carcinoma - PMC \[pmc.ncbi.nlm.nih.gov\]](#)
- 4. [TACC3 Promotes Gastric Carcinogenesis by Promoting Epithelial-mesenchymal Transition Through the ERK/Akt/cyclin D1 Signaling Pathway | Anticancer Research \[ar.iiarjournals.org\]](#)
- 5. [tandfonline.com \[tandfonline.com\]](#)
- 6. [Phospho-TACC3 \(Ser558\) Antibody | Cell Signaling Technology \[cellsignal.com\]](#)
- 7. [Phospho-TACC3 \(Ser558\) \(D8H10\) Rabbit Monoclonal Antibody | Cell Signaling Technology \[cellsignal.com\]](#)
- 8. [file.yizimg.com \[file.yizimg.com\]](#)
- 9. [TACC3 antibody \(25697-1-AP\) | Proteintech \[ptglab.com\]](#)

- To cite this document: BenchChem. [Application Notes: Detection of TACC3 Protein via Western Blot]. BenchChem, [2026]. [Online PDF]. Available at: [<https://www.benchchem.com/product/b15542711/docs#application-notes-detection-of-tacc3-protein-via-western-blot>]

---

### Disclaimer & Data Validity:

The information provided in this document is for Research Use Only (RUO) and is strictly not intended for diagnostic or therapeutic procedures. While BenchChem strives to provide accurate protocols, we make no warranties, express or implied, regarding the fitness of this product for every specific experimental setup.

**Technical Support:** The protocols provided are for reference purposes. Unsure if this reagent suits your experiment?

**Need Industrial/Bulk Grade?** [Request Custom Synthesis Quote](#)

## BenchChem

Our mission is to be the trusted global source of essential and advanced chemicals, empowering scientists and researchers to drive progress in science and industry.

### Contact

Address: 3281 E Guasti Rd  
Ontario, CA 91761, United States  
Phone: (601) 213-4426  
Email: [info@benchchem.com](mailto:info@benchchem.com)

[Contact our Ph.D. Support Team for a compatibility check](#)