

Setin-1: A Comparative Performance Analysis Against Other SETD7 Inhibitors

Author: BenchChem Technical Support Team. **Date:** April 2026

Compound of Interest

Compound Name: *Setin-1*
Cat. No.: *B15294011*

[Get Quote](#)

For Researchers, Scientists, and Drug Development Professionals: An Objective Guide to Evaluating **Setin-1**

The lysine methyltransferase SETD7, also known as SET7/9, has emerged as a critical regulator in numerous cellular processes, making it a compelling target for therapeutic intervention in oncology and other diseases. **Setin-1** is a chemical probe designed to inhibit the catalytic activity of SETD7. This guide provides a comprehensive performance comparison of **Setin-1** against other known SETD7 inhibitors, supported by experimental data and detailed protocols to aid researchers in selecting the most appropriate tool for their studies.

Quantitative Performance Comparison of SETD7 Inhibitors

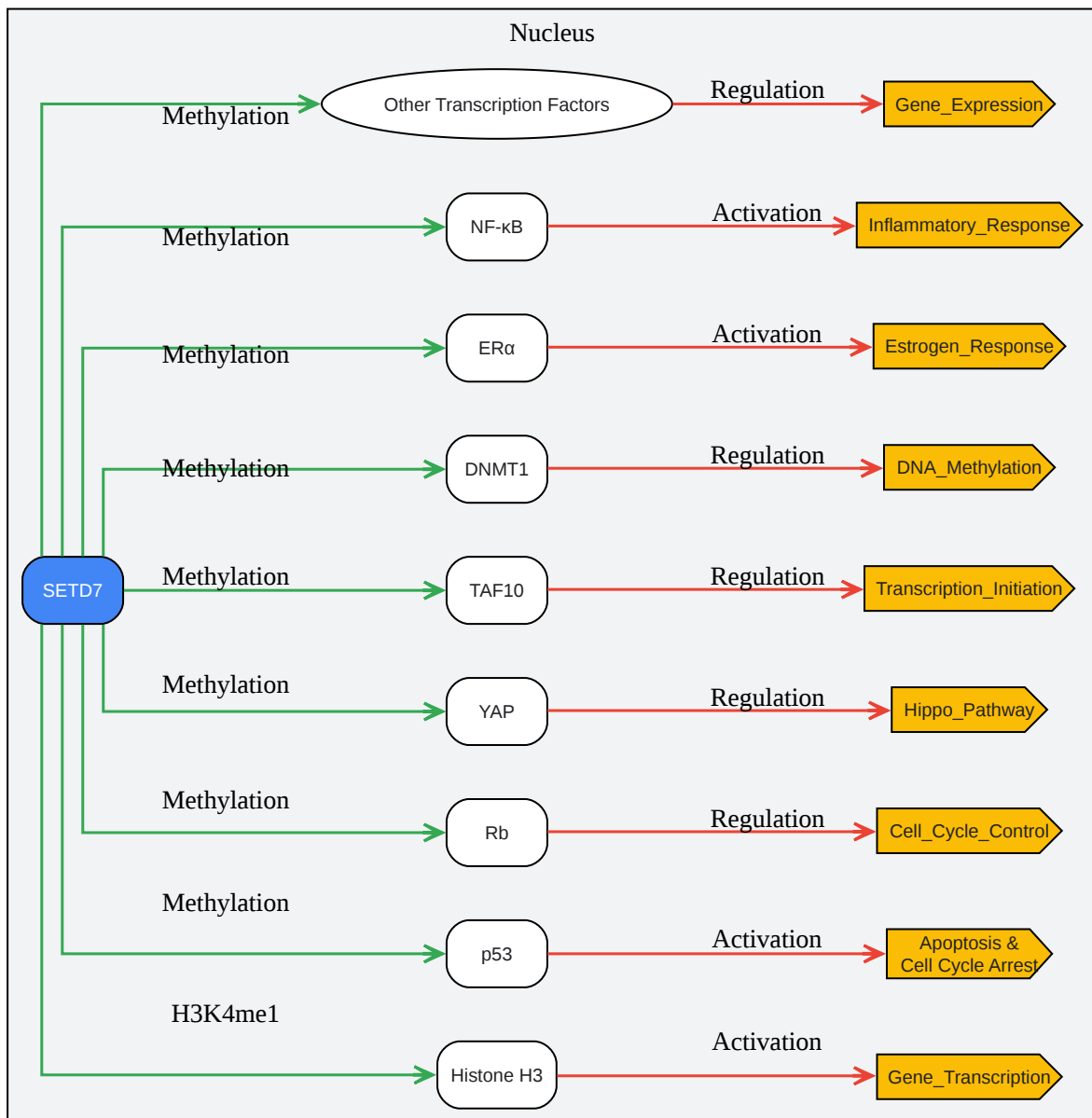
The inhibitory potency of a chemical probe is a critical parameter for its utility in biological research. The half-maximal inhibitory concentration (IC₅₀) is a standard measure of a compound's effectiveness in inhibiting a specific biological or biochemical function. The following table summarizes the reported IC₅₀ values for **Setin-1** and a panel of alternative SETD7 inhibitors.

Inhibitor	Target	IC50 Value	Assay Type
Setin-1	SETD7	10 μ M	ELISA-based enzymatic assay
(R)-PFI-2	SETD7	2.0 \pm 0.2 nM	Radioactivity-based assay
DC-S238	SETD7	4.88 μ M	Not specified
DC-S239	SETD7	4.59 μ M	AlphaLISA
DC-S303	SETD7	1.1 μ M	AlphaLISA

Note: Lower IC50 values indicate higher potency. The variation in assay types should be considered when directly comparing potencies.

Key Signaling Pathways of SETD7

SETD7 plays a multifaceted role in cellular regulation by methylating both histone and non-histone proteins. Its activity impacts gene transcription, cell cycle control, and the response to cellular stress. Understanding these pathways is crucial for interpreting the effects of SETD7 inhibitors.



[Click to download full resolution via product page](#)

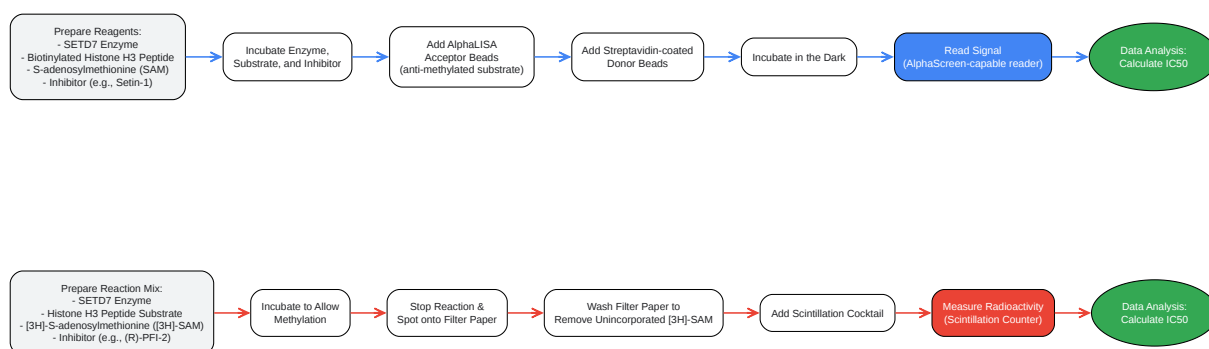
SETD7 methylates histone and non-histone proteins, regulating key cellular processes.

Experimental Protocols

Accurate and reproducible experimental design is paramount in drug discovery and chemical biology. The following sections provide detailed methodologies for the key assays used to characterize SETD7 inhibitors.

SETD7 Enzymatic Inhibition Assay (AlphaLISA)

This assay determines the *in vitro* potency of inhibitors against the SETD7 methyltransferase.



[Click to download full resolution via product page](#)

- To cite this document: BenchChem. [Setin-1: A Comparative Performance Analysis Against Other SETD7 Inhibitors]. BenchChem, [2026]. [Online PDF]. Available at: [\[https://www.benchchem.com/product/b15294011/docs#setin-1-a-comparative-performance-analysis-against-other-setd7-inhibitors\]](https://www.benchchem.com/product/b15294011/docs#setin-1-a-comparative-performance-analysis-against-other-setd7-inhibitors)

Disclaimer & Data Validity:

The information provided in this document is for Research Use Only (RUO) and is strictly not intended for diagnostic or therapeutic procedures. While BenchChem strives to provide accurate protocols, we make no warranties, express or implied, regarding the fitness of this product for every specific experimental setup.

Technical Support: The protocols provided are for reference purposes. Unsure if this reagent suits your experiment?

Need Industrial/Bulk Grade? [Request Custom Synthesis Quote](#)

BenchChem

Our mission is to be the trusted global source of essential and advanced chemicals, empowering scientists and researchers to drive progress in science and industry.

Contact

Address: 3281 E Guasti Rd
Ontario, CA 91761, United States
Phone: (601) 213-4426
Email: info@benchchem.com

[Contact our Ph.D. Support Team for a compatibility check](#)