

Validation of PDE8 as a Therapeutic Target: A Comparative Guide

Author: BenchChem Technical Support Team. **Date:** April 2026

Compound of Interest

Compound Name: *DEPN-8*
Cat. No.: *B15138718*

[Get Quote](#)

For Researchers, Scientists, and Drug Development Professionals

This guide provides an objective comparison of Phosphodiesterase 8 (PDE8) as a therapeutic target against other alternatives, supported by experimental data. It is designed to assist researchers, scientists, and drug development professionals in their evaluation of PDE8-targeted therapies.

Initially, it is important to clarify a potential point of confusion. The query for "**DEPN-8**" likely refers to "PDE8," a phosphodiesterase enzyme. Separately, "NEDD8" is a ubiquitin-like protein involved in a distinct cellular pathway, the neddylation pathway, which is also a target in cancer therapy. This guide will focus on PDE8, with a brief comparative section on the NEDD8 pathway to address this potential ambiguity.

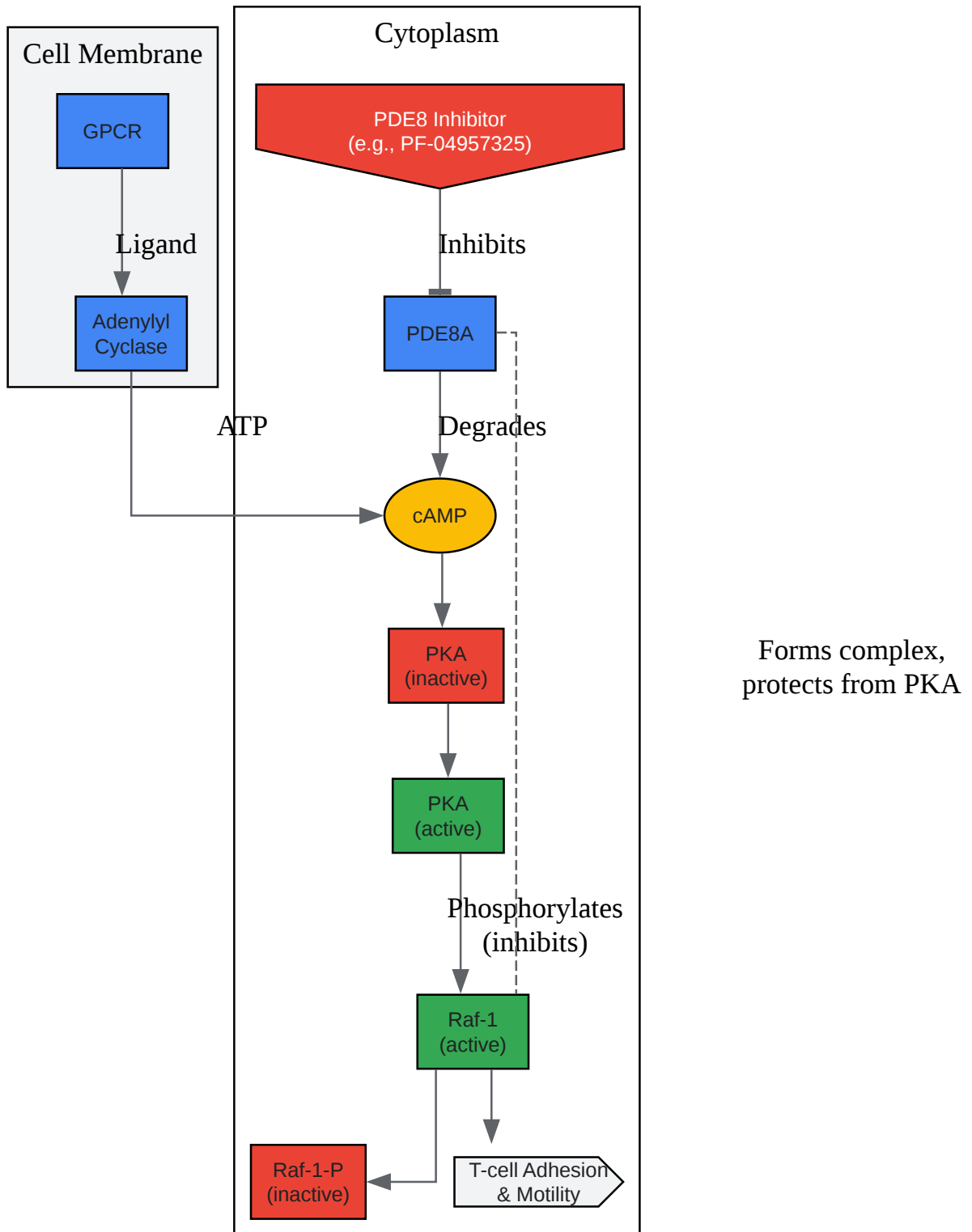
Introduction to PDE8

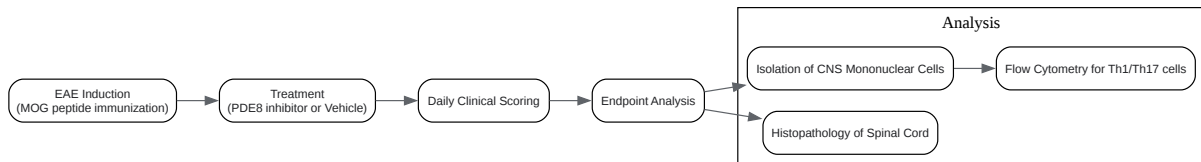
Phosphodiesterases are enzymes that regulate the levels of intracellular second messengers, cyclic adenosine monophosphate (cAMP) and cyclic guanosine monophosphate (cGMP). The PDE8 family, consisting of PDE8A and PDE8B, are high-affinity, cAMP-specific PDEs.[1][2] They are characterized by their insensitivity to the broad-spectrum PDE inhibitor 3-isobutyl-1-methylxanthine (IBMX).[1][3] PDE8A, in particular, has been identified as a key regulator of T-

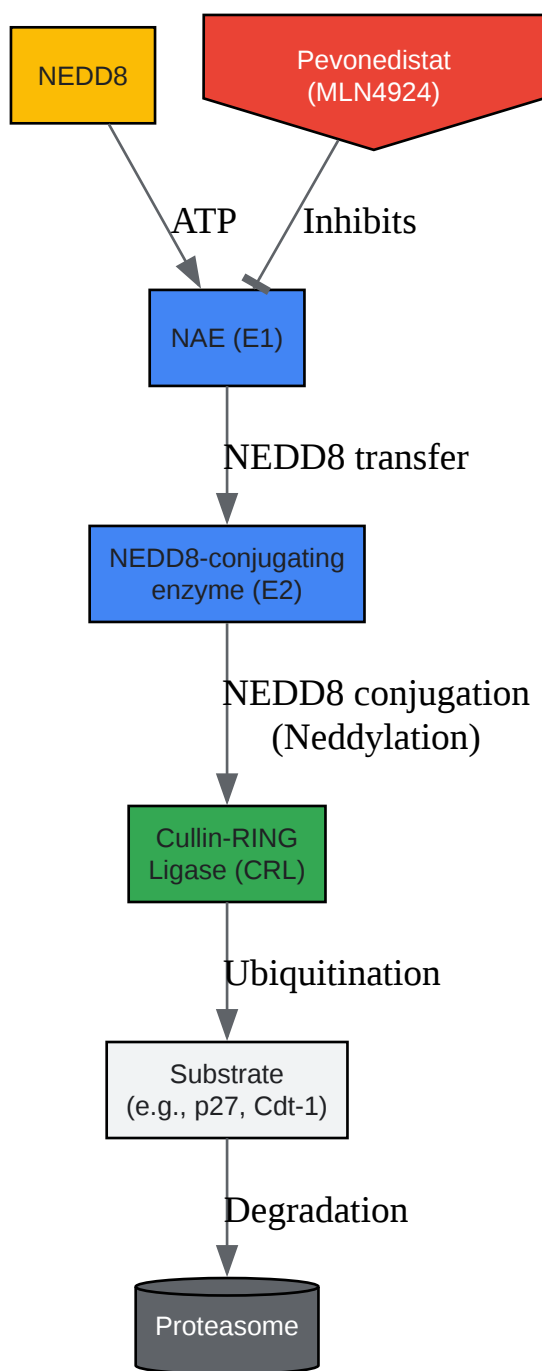
cell function and motility, making it a promising target for inflammatory diseases and cancer.[4]
[5]

PDE8 Signaling Pathway

PDE8A plays a crucial role in T-cell adhesion and motility through its interaction with the Raf-1 kinase. This interaction forms a signaling complex that protects Raf-1 from inhibitory phosphorylation by protein kinase A (PKA). By locally degrading cAMP, PDE8A maintains low cAMP levels around Raf-1, allowing it to remain active and promote cell adhesion.[4][6][7] Inhibition of PDE8A disrupts this complex, leading to increased local cAMP levels, PKA-mediated phosphorylation and inhibition of Raf-1, and consequently, reduced T-cell adhesion and migration.[6][7]







[Click to download full resolution via product page](#)

Need Custom Synthesis?

BenchChem offers custom synthesis for rare earth carbides and specific isotopic labeling.

Email: info@benchchem.com or [Request Quote Online](#).

References

- [1. ahajournals.org \[ahajournals.org\]](https://ahajournals.org)
- [2. Kinetic and structural studies of phosphodiesterase-8A and implication on the inhibitor selectivity - PubMed \[pubmed.ncbi.nlm.nih.gov\]](https://pubmed.ncbi.nlm.nih.gov/)
- [3. Kinetic and structural studies of phosphodiesterase-8A and implication on the inhibitor selectivity - PMC \[pmc.ncbi.nlm.nih.gov\]](https://pmc.ncbi.nlm.nih.gov/)
- [4. The Role of PDE8 in T Cell Recruitment and Function in Inflammation - PMC \[pmc.ncbi.nlm.nih.gov\]](https://pmc.ncbi.nlm.nih.gov/)
- [5. The Role of PDE8 in T Cell Recruitment and Function in Inflammation - PubMed \[pubmed.ncbi.nlm.nih.gov\]](https://pubmed.ncbi.nlm.nih.gov/)
- [6. PDE8 controls CD4+ T cell motility through the PDE8A-Raf-1 kinase signaling complex - PubMed \[pubmed.ncbi.nlm.nih.gov\]](https://pubmed.ncbi.nlm.nih.gov/)
- [7. Frontiers | The Role of PDE8 in T Cell Recruitment and Function in Inflammation \[frontiersin.org\]](https://frontiersin.org/)
- To cite this document: BenchChem. [Validation of PDE8 as a Therapeutic Target: A Comparative Guide]. BenchChem, [2026]. [Online PDF]. Available at: [\[https://www.benchchem.com/product/b15138718/docs#validation-of-pde8-as-a-therapeutic-target-a-comparative-guide\]](https://www.benchchem.com/product/b15138718/docs#validation-of-pde8-as-a-therapeutic-target-a-comparative-guide)

Disclaimer & Data Validity:

The information provided in this document is for Research Use Only (RUO) and is strictly not intended for diagnostic or therapeutic procedures. While BenchChem strives to provide accurate protocols, we make no warranties, express or implied, regarding the fitness of this product for every specific experimental setup.

Technical Support: The protocols provided are for reference purposes. Unsure if this reagent suits your experiment?

Need Industrial/Bulk Grade? [Request Custom Synthesis Quote](#)

BenchChem

Our mission is to be the trusted global source of essential and advanced chemicals, empowering scientists and researchers to drive progress in science and industry.

Contact

Address: 3281 E Guasti Rd

Ontario, CA 91761, United States

Phone: (601) 213-4426

Email: info@benchchem.com

[Contact our Ph.D. Support Team for a compatibility check](#)