

Technical Support Center: Assessing Vegfr-IN-4 Cytotoxicity in Normal Cells

Author: BenchChem Technical Support Team. **Date:** April 2026

Compound of Interest

Compound Name: Vegfr-IN-4
Cat. No.: B15138198

[Get Quote](#)

This technical support center provides researchers, scientists, and drug development professionals with comprehensive guidance on assessing the cytotoxicity of **Vegfr-IN-4** in normal cells. The information is presented in a question-and-answer format to directly address potential issues encountered during experimentation.

FAQs and Troubleshooting Guides

Q1: What is **Vegfr-IN-4** and what is its primary molecular target?

A1: **Vegfr-IN-4**, also referred to as compound 6e in the primary literature, is a potent, ATP-competitive inhibitor of the Epidermal Growth Factor Receptor (EGFR), particularly against EGFR mutants harboring the C797S resistance mutation.[1] Despite its name suggesting it targets the Vascular Endothelial Growth Factor Receptor (VEGFR), the primary research indicates its main activity is against EGFR.[1] This nomenclature discrepancy is important to consider when designing and interpreting experiments.

Q2: Why is it crucial to assess the cytotoxicity of **Vegfr-IN-4** in normal cells?

A2: Assessing the cytotoxicity of any kinase inhibitor, including **Vegfr-IN-4**, in normal, non-cancerous cells is a critical step in preclinical development for several reasons:

- **Safety Profiling:** It helps to determine the therapeutic window of the compound, which is the concentration range where it is effective against cancer cells while having minimal toxic effects on healthy cells.
- **Off-Target Effects:** All kinase inhibitors have the potential for off-target effects due to the conserved nature of the ATP-binding pocket across the kinome.[2] Testing on a panel of normal cells can help identify unanticipated toxicities.
- **Predicting Clinical Adverse Events:** In vitro cytotoxicity data in normal cells can provide early indications of potential side effects that might be observed in vivo, such as myelosuppression, hepatotoxicity, or dermatological toxicities.

Q3: Which normal cell lines are recommended for testing **Vegfr-IN-4** cytotoxicity?

A3: A panel of normal human cell lines representing different tissues is recommended. Based on available data and general practice, the following are suggested:

- **Human Fetal Lung Fibroblasts (e.g., 2BS, WI-38):** To assess general cytotoxicity in a common fibroblast cell line.[1]
- **Human Normal Liver Cells (e.g., LO2):** To evaluate potential hepatotoxicity.[1]
- **Human Umbilical Vein Endothelial Cells (HUVECs):** As the name "**Vegfr-IN-4**" implies a potential effect on the vasculature, assessing cytotoxicity in endothelial cells is highly recommended to investigate any anti-angiogenic off-target effects.
- **Human Peripheral Blood Mononuclear Cells (PBMCs):** To assess potential immunomodulatory or hematological toxicities.
- **Human Renal Proximal Tubule Epithelial Cells (e.g., HK-2):** To evaluate potential nephrotoxicity, a known side effect of some kinase inhibitors.

Q4: What are the recommended assays for assessing **Vegfr-IN-4** cytotoxicity?

A4: A multi-assay approach is recommended to get a comprehensive understanding of the cytotoxic mechanism.

- **Metabolic Viability Assays** (e.g., MTT, MTS, WST-1): These colorimetric assays measure the metabolic activity of cells, which is an indicator of cell viability. They are high-throughput and useful for determining the IC₅₀ (half-maximal inhibitory concentration) value.
- **Membrane Integrity Assays** (e.g., LDH or GDH release): These assays quantify the release of intracellular enzymes into the culture medium upon cell membrane damage, indicating necrotic cell death.
- **Apoptosis Assays** (e.g., Annexin V/Propidium Iodide staining, Caspase-3/7 activity): These assays can differentiate between apoptotic (programmed cell death) and necrotic cell death, providing mechanistic insights into how the compound induces cytotoxicity. The primary literature on **Vegfr-IN-4** (compound 6e) indicates it induces apoptosis in cancer cells.
- **Cell Proliferation Assays** (e.g., BrdU incorporation, Ki-67 staining): These assays measure the rate of DNA synthesis or the expression of proliferation markers, respectively, to determine if the compound has cytostatic effects (inhibits proliferation) in addition to cytotoxic effects.

Q5: What should I do if I observe significant cytotoxicity in normal cells at concentrations similar to those effective against cancer cells?

A5: If the therapeutic window appears narrow (i.e., the IC₅₀ values in normal cells are close to the IC₅₀ values in cancer cells), further investigation is warranted:

- **Confirm On-Target vs. Off-Target Effects:** In normal cells expressing EGFR, you can perform a cellular phosphorylation assay to see if the cytotoxicity correlates with the inhibition of EGFR phosphorylation. If cytotoxicity is observed in cells with low or no EGFR expression, it suggests off-target effects.
- **Kinase Profiling:** A broad panel kinase screen can help identify potential off-target kinases that might be responsible for the observed cytotoxicity.
- **Structure-Activity Relationship (SAR) Studies:** If you are in the process of developing this or similar compounds, medicinal chemistry efforts can be directed to modify the structure to reduce off-target activity while retaining on-target potency.

Quantitative Data Summary

The following table summarizes the reported IC50 values for **Vegfr-IN-4** (compound 6e) in both cancer and normal cell lines from the primary literature.

Cell Line	Cell Type	EGFR Status	IC50 (nM)
Cancer Cell Lines			
HCC827	Human Non-Small Cell Lung Cancer	EGFR del19	24.6
NCI-H1975	Human Non-Small Cell Lung Cancer	EGFR L858R/T790M	150.3
A549	Human Non-Small Cell Lung Cancer	EGFR Wild-Type	>10,000
Normal Cell Lines			
2BS	Human Fetal Lung Fibroblast	Wild-Type	>10,000
LO2	Human Normal Liver	Wild-Type	>10,000

Data extracted from Zuo Y, et al. Eur J Med Chem. 2023.

Experimental Protocols

Protocol 1: MTT Assay for Cell Viability

This protocol is a standard method for assessing cell viability by measuring the metabolic activity of mitochondria.

Materials:

- **Vegfr-IN-4** (Compound 6e)
- Selected normal human cell lines (e.g., 2BS, LO2, HUVECs)
- Complete cell culture medium

- 96-well cell culture plates
- MTT (3-(4,5-dimethylthiazol-2-yl)-2,5-diphenyltetrazolium bromide) solution (5 mg/mL in PBS)
- DMSO (Dimethyl sulfoxide)
- Microplate reader

Procedure:

- **Cell Seeding:** Seed the normal cells in a 96-well plate at a density of 5,000-10,000 cells per well in 100 μ L of complete medium. Incubate for 24 hours at 37°C in a humidified 5% CO₂ incubator.
- **Compound Treatment:** Prepare a serial dilution of **Vegfr-IN-4** in complete medium. Remove the medium from the wells and add 100 μ L of the diluted compound at various concentrations (e.g., 0.1 nM to 100 μ M). Include a vehicle control (DMSO) and a positive control for cytotoxicity (e.g., staurosporine).
- **Incubation:** Incubate the plate for 48-72 hours at 37°C and 5% CO₂.
- **MTT Addition:** Add 20 μ L of MTT solution to each well and incubate for 4 hours at 37°C.
- **Formazan Solubilization:** Carefully remove the medium and add 150 μ L of DMSO to each well to dissolve the formazan crystals.
- **Absorbance Measurement:** Measure the absorbance at 490 nm using a microplate reader.
- **Data Analysis:** Calculate the percentage of cell viability relative to the vehicle control and plot a dose-response curve to determine the IC₅₀ value.

Protocol 2: Annexin V-FITC/PI Apoptosis Assay

This flow cytometry-based assay distinguishes between viable, early apoptotic, late apoptotic, and necrotic cells.

Materials:

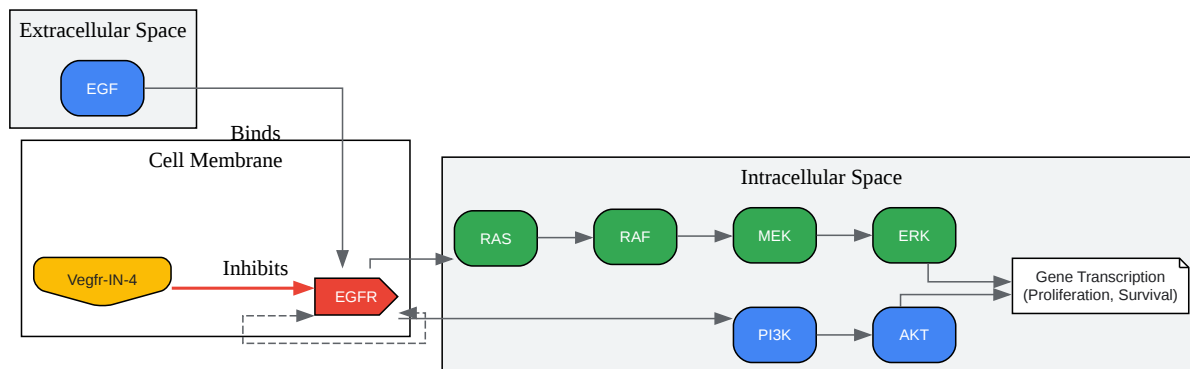
- **Vegfr-IN-4** (Compound 6e)
- Selected normal human cell lines
- 6-well cell culture plates
- Annexin V-FITC Apoptosis Detection Kit (containing Annexin V-FITC, Propidium Iodide (PI), and Binding Buffer)
- Flow cytometer

Procedure:

- **Cell Seeding and Treatment:** Seed cells in 6-well plates and treat with **Vegfr-IN-4** at the desired concentrations (e.g., IC50 and 2x IC50 as determined by MTT assay) for 24-48 hours. Include a vehicle control.
- **Cell Harvesting:** Harvest the cells by trypsinization and collect both the adherent and floating cells.
- **Washing:** Wash the cells twice with cold PBS.
- **Staining:** Resuspend the cells in 100 μ L of 1X Binding Buffer. Add 5 μ L of Annexin V-FITC and 5 μ L of PI.
- **Incubation:** Incubate the cells for 15 minutes at room temperature in the dark.
- **Analysis:** Add 400 μ L of 1X Binding Buffer to each tube and analyze the cells by flow cytometry within 1 hour.

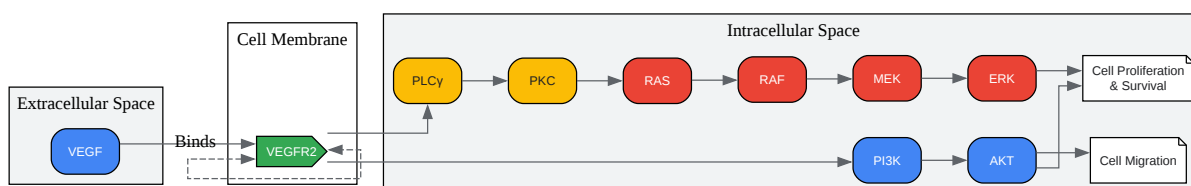
Visualizations

Signaling Pathways



[Click to download full resolution via product page](#)

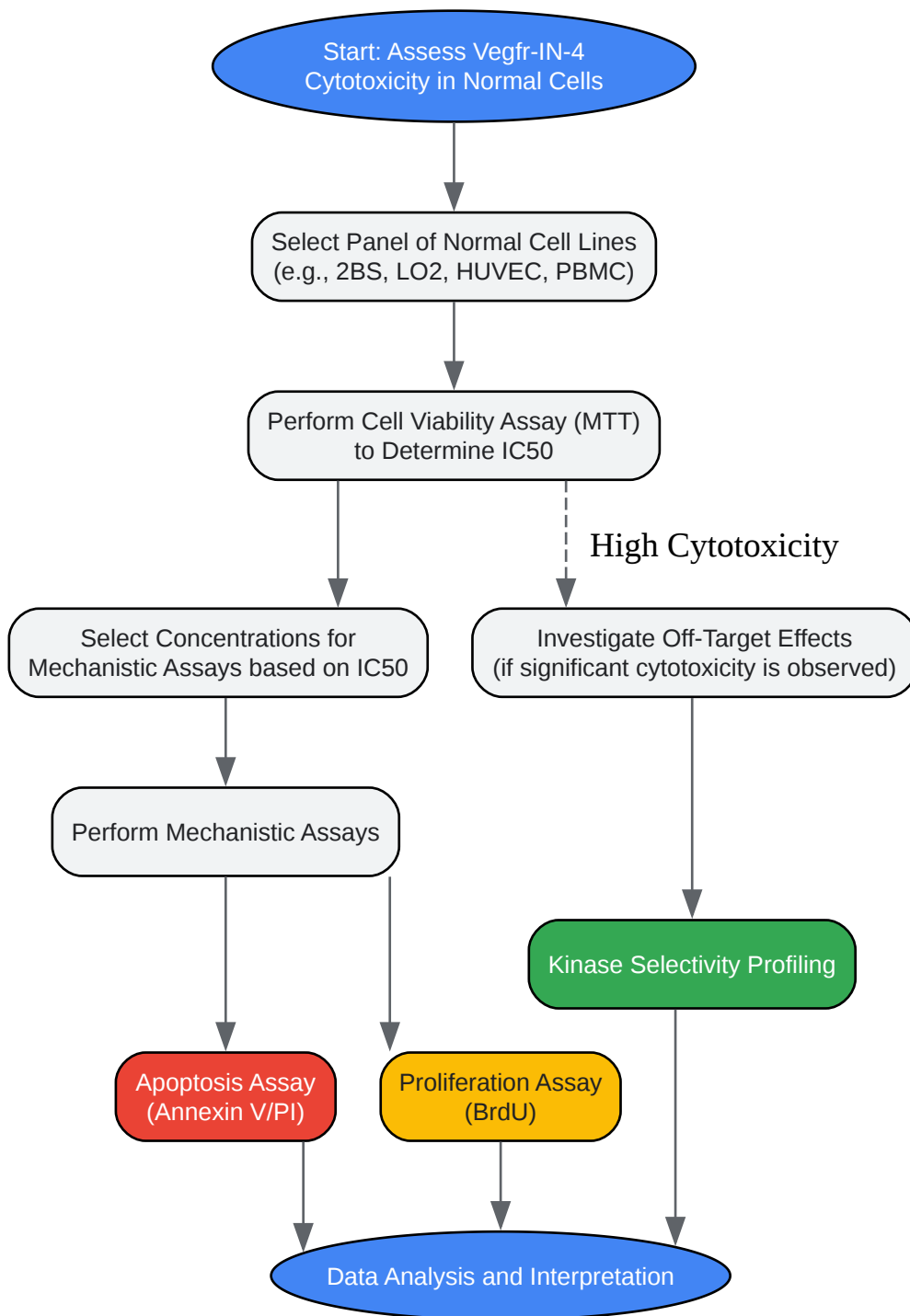
Caption: Confirmed signaling pathway inhibited by **Vegfr-IN-4** (compound 6e).



[Click to download full resolution via product page](#)

Caption: Potential off-target signaling pathway to investigate for **Vegfr-IN-4**.

Experimental Workflow



[Click to download full resolution via product page](#)

Caption: Workflow for assessing the cytotoxicity of **Vegfr-IN-4** in normal cells.

Need Custom Synthesis?

BenchChem offers custom synthesis for rare earth carbides and specific isotopic labeling.

Email: info@benchchem.com or [Request Quote Online](#).

References

- 1. Design, synthesis and antitumor activity of 4-arylamine substituted pyrimidine derivatives as noncovalent EGFR inhibitors overcoming C797S mutation - PubMed [pubmed.ncbi.nlm.nih.gov]
- 2. [researchgate.net](https://www.researchgate.net) [[researchgate.net](https://www.researchgate.net)]
- To cite this document: BenchChem. [Technical Support Center: Assessing Vegfr-IN-4 Cytotoxicity in Normal Cells]. BenchChem, [2026]. [Online PDF]. Available at: [<https://www.benchchem.com/product/b15138198/docs#technical-support-center-assessing-vegfr-in-4-cytotoxicity-in-normal-cells>]

Disclaimer & Data Validity:

The information provided in this document is for Research Use Only (RUO) and is strictly not intended for diagnostic or therapeutic procedures. While BenchChem strives to provide accurate protocols, we make no warranties, express or implied, regarding the fitness of this product for every specific experimental setup.

Technical Support: The protocols provided are for reference purposes. Unsure if this reagent suits your experiment?

Need Industrial/Bulk Grade? [Request Custom Synthesis Quote](#)

BenchChem

Our mission is to be the trusted global source of essential and advanced chemicals, empowering scientists and researchers to drive progress in science and industry.

Contact

Address: 3281 E Guasti Rd

Ontario, CA 91761, United States

Phone: (601) 213-4426

Email: info@benchchem.com

[Contact our Ph.D. Support Team for a compatibility check](#)