

Application Notes and Protocols for In Vitro Assays of Cdk7 Inhibitors

Author: BenchChem Technical Support Team. **Date:** April 2026

Compound of Interest

Compound Name: Cdk7-IN-26

Cat. No.: B15138944

[Get Quote](#)

For Researchers, Scientists, and Drug Development Professionals

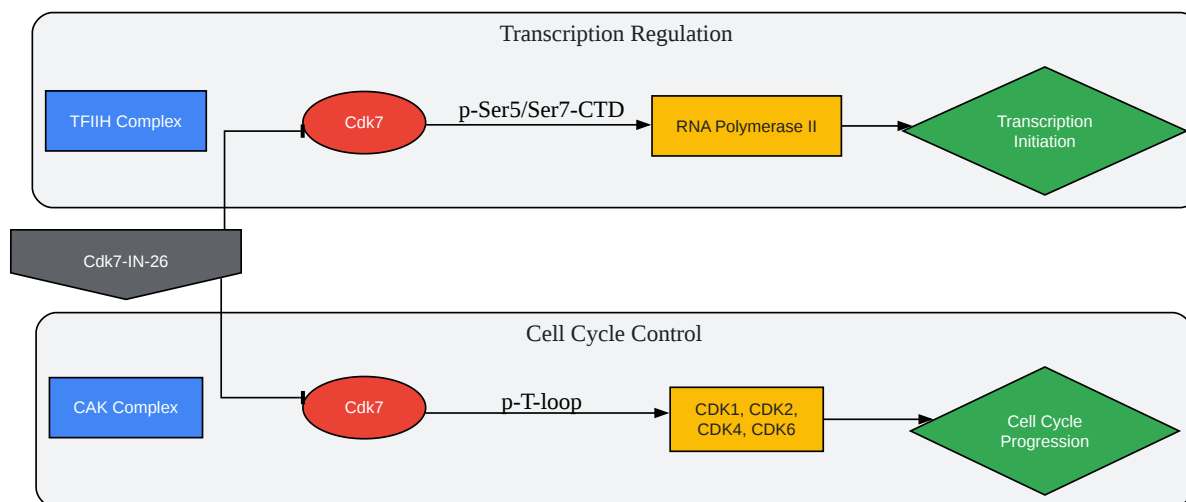
This document provides detailed application notes and protocols for various in vitro assays designed to characterize the activity of Cyclin-Dependent Kinase 7 (Cdk7) inhibitors, such as **Cdk7-IN-26**. These assays are critical for understanding the mechanism of action, potency, and selectivity of Cdk7 inhibitors, which are promising therapeutic agents in oncology.

Introduction to Cdk7

Cyclin-Dependent Kinase 7 (Cdk7) is a key regulator of two fundamental cellular processes: transcription and cell cycle progression.[1][2][3] As a component of the transcription factor II H (TFIIH), Cdk7 phosphorylates the C-terminal domain (CTD) of RNA Polymerase II (RNAPII), which is essential for transcription initiation.[2][4] Additionally, Cdk7 is the catalytic subunit of the Cdk-activating kinase (CAK) complex, which activates other CDKs, such as CDK1, CDK2, CDK4, and CDK6, by phosphorylating their T-loops, thereby controlling cell cycle progression.[2][3][4][5] Given its dual role, Cdk7 has emerged as an attractive target for cancer therapy.[3][6]

Cdk7 Signaling Pathway

The diagram below illustrates the central role of Cdk7 in both transcription and cell cycle control.



[Click to download full resolution via product page](#)

Caption: Cdk7's dual role in transcription and cell cycle regulation.

Quantitative Data for Cdk7 Inhibitors

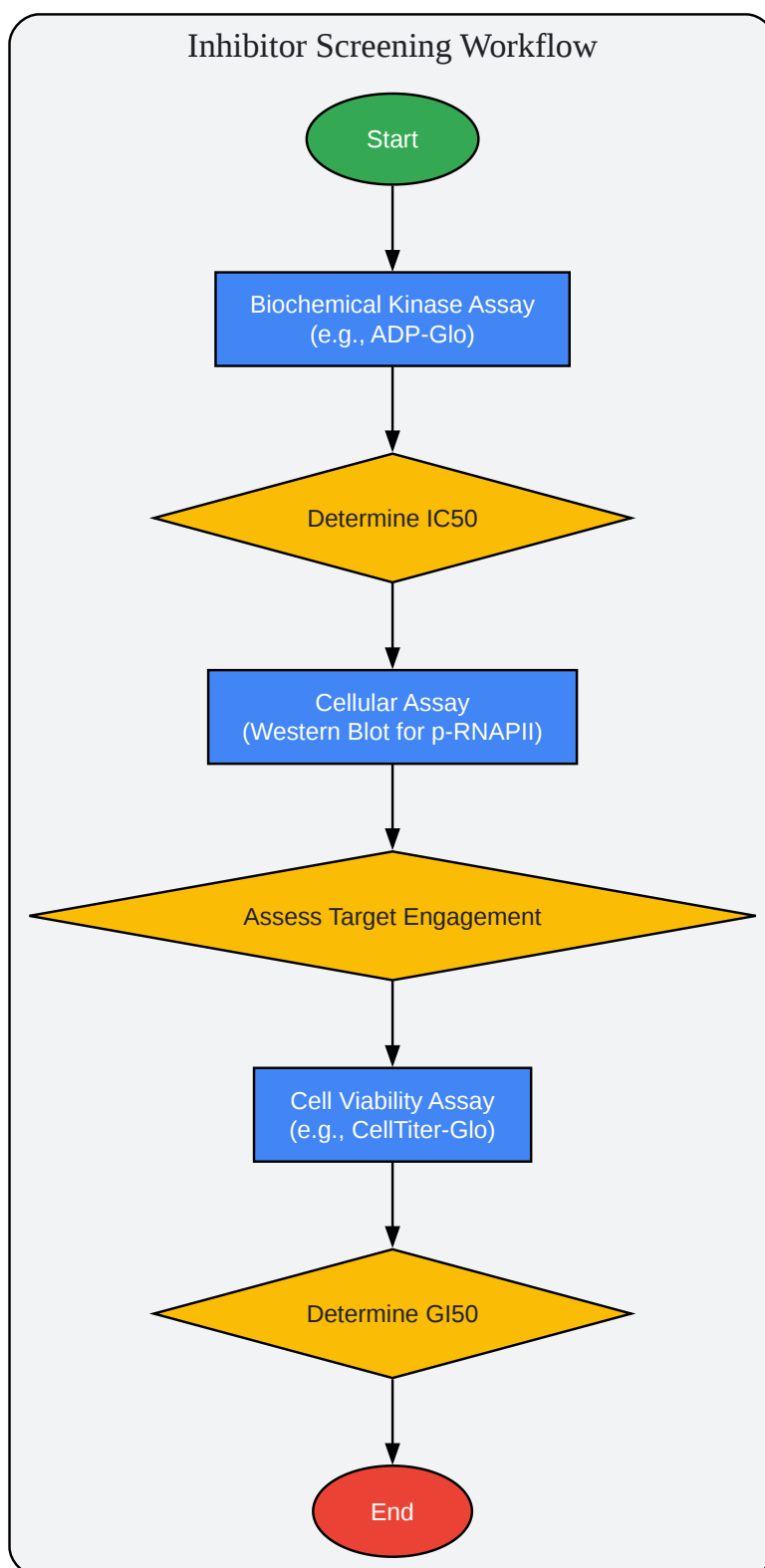
The following table summarizes the in vitro potency of various Cdk7 inhibitors against Cdk7 and other kinases, providing a comparative overview.

Compound	Target Kinase	IC50 (nM)	Assay Type	Reference
YKL-5-124	CDK7	9.7	Biochemical	[5]
YKL-5-124	CDK2	1300	Biochemical	[5]
YKL-5-124	CDK9	3020	Biochemical	[5]
YKL-5-124	CDK7	53.5	In vitro kinase reaction (1mM ATP)	[5]
THZ1	CDK7	6.91	FRET-based assay	[3]
BTX-A51	CDK7	272.30	FRET-based assay	[3]
SY-1365	CDK7	84	Not Specified	[6]
CT7001	CDK7	40	In vitro kinase assay	[6]
CT7001	CDK2	620	In vitro kinase assay	[6]

Experimental Protocols

General Experimental Workflow for Cdk7 Inhibitor Screening

The following diagram outlines a typical workflow for screening and characterizing Cdk7 inhibitors.



[Click to download full resolution via product page](#)

Caption: A general workflow for in vitro screening of Cdk7 inhibitors.

Protocol 1: In Vitro Biochemical Kinase Assay (ADP-Glo™)

This protocol is designed to measure the activity of purified Cdk7/Cyclin H/MAT1 enzyme and the potency of inhibitors by quantifying the amount of ADP produced during the kinase reaction.

[7]

Materials:

- Recombinant human Cdk7/Cyclin H/MAT1 complex
- CDK substrate peptide[7]
- ATP
- Kinase assay buffer
- **Cdk7-IN-26** (or other inhibitors)
- ADP-Glo™ Kinase Assay kit (Promega)
- White, 96-well plates[7]
- Plate reader capable of measuring luminescence

Procedure:

- Prepare Reagents:
 - Thaw all reagents on ice.
 - Prepare a 2X kinase reaction mix containing the kinase assay buffer, ATP, and the CDK substrate peptide.
 - Prepare serial dilutions of **Cdk7-IN-26** in kinase assay buffer.
- Kinase Reaction:

- Add 5 μL of the Cdk7 inhibitor dilution or vehicle (DMSO) to the wells of a 96-well plate.
- Add 10 μL of the 2X kinase reaction mix to each well.
- To initiate the reaction, add 5 μL of the Cdk7 enzyme solution to each well. The final reaction volume is 20 μL .
- Incubate the plate at 30°C for 1 hour.
- ADP Detection:
 - Add 20 μL of ADP-Glo™ Reagent to each well.
 - Incubate the plate at room temperature for 40 minutes to stop the kinase reaction and deplete the remaining ATP.
 - Add 40 μL of Kinase Detection Reagent to each well.
 - Incubate the plate at room temperature for 30 minutes to convert ADP to ATP and generate a luminescent signal.
- Data Analysis:
 - Measure the luminescence using a plate reader.
 - Calculate the percentage of inhibition for each inhibitor concentration relative to the vehicle control.
 - Determine the IC50 value by fitting the data to a dose-response curve.

Protocol 2: Cellular Assay - Western Blot for RNAPII C-Terminal Domain (CTD) Phosphorylation

This assay assesses the ability of a Cdk7 inhibitor to block the phosphorylation of RNAPII, a direct substrate of Cdk7 in cells.[1]

Materials:

- Cancer cell line of interest (e.g., Jurkat, HAP1)[5]
- Cell culture medium and supplements
- **Cdk7-IN-26** (or other inhibitors)
- Lysis buffer (e.g., RIPA buffer) with protease and phosphatase inhibitors
- Primary antibodies: anti-phospho-RNAPII CTD (Ser2, Ser5, or Ser7), anti-total RNAPII, anti-GAPDH (loading control)
- HRP-conjugated secondary antibodies
- Enhanced chemiluminescence (ECL) substrate
- SDS-PAGE gels and Western blotting equipment

Procedure:

- Cell Culture and Treatment:
 - Plate cells at an appropriate density and allow them to adhere overnight.
 - Treat the cells with various concentrations of **Cdk7-IN-26** or vehicle (DMSO) for a specified time (e.g., 6 hours).[5]
- Cell Lysis:
 - Wash the cells with ice-cold PBS.
 - Lyse the cells in lysis buffer on ice for 30 minutes.
 - Clarify the lysates by centrifugation at 14,000 rpm for 15 minutes at 4°C.
 - Determine the protein concentration of the supernatants using a BCA assay.
- Western Blotting:
 - Denature equal amounts of protein from each sample by boiling in Laemmli buffer.

- Separate the proteins by SDS-PAGE and transfer them to a PVDF membrane.
- Block the membrane with 5% non-fat milk or BSA in TBST for 1 hour at room temperature.
- Incubate the membrane with primary antibodies overnight at 4°C.
- Wash the membrane with TBST and incubate with HRP-conjugated secondary antibodies for 1 hour at room temperature.[1]
- Wash the membrane again and detect the signal using an ECL substrate.[1]
- Data Analysis:
 - Quantify the band intensities using densitometry software.
 - Normalize the levels of phosphorylated RNAPII to total RNAPII and the loading control.
 - Determine the concentration-dependent effect of the inhibitor on RNAPII phosphorylation.

Protocol 3: Cell Viability Assay (CellTiter-Glo®)

This assay measures the effect of Cdk7 inhibition on cell proliferation and viability by quantifying ATP levels, which is an indicator of metabolically active cells.[1]

Materials:

- Cancer cell line of interest
- Cell culture medium and supplements
- **Cdk7-IN-26** (or other inhibitors)
- CellTiter-Glo® Luminescent Cell Viability Assay kit (Promega)
- Opaque-walled 96-well plates
- Plate reader capable of measuring luminescence

Procedure:

- Cell Seeding:
 - Seed cells in an opaque-walled 96-well plate at a predetermined optimal density.
 - Allow the cells to attach and grow for 24 hours.
- Compound Treatment:
 - Treat the cells with a serial dilution of **Cdk7-IN-26** or vehicle (DMSO).
 - Incubate the plate for a specified period (e.g., 72 hours).
- Assay Procedure:
 - Equilibrate the plate and the CellTiter-Glo® Reagent to room temperature.
 - Add a volume of CellTiter-Glo® Reagent equal to the volume of cell culture medium in each well.
 - Mix the contents on an orbital shaker for 2 minutes to induce cell lysis.
 - Incubate the plate at room temperature for 10 minutes to stabilize the luminescent signal.
- Data Analysis:
 - Measure the luminescence using a plate reader.
 - Calculate the percentage of cell viability relative to the vehicle-treated control.
 - Determine the GI50 (concentration for 50% growth inhibition) or IC50 value by plotting the data in a dose-response curve.[1]

Need Custom Synthesis?

BenchChem offers custom synthesis for rare earth carbides and specific isotopic labeling.

Email: info@benchchem.com or [Request Quote Online](#).

References

- [1. benchchem.com \[benchchem.com\]](#)
- [2. CDK7 inhibitors as anticancer drugs - PMC \[pmc.ncbi.nlm.nih.gov\]](#)
- [3. Design, Synthesis, and Biological Evaluation of 2,4-Diaminopyrimidine Derivatives as Potent CDK7 Inhibitors - PMC \[pmc.ncbi.nlm.nih.gov\]](#)
- [4. researchgate.net \[researchgate.net\]](#)
- [5. Development of a selective CDK7 covalent inhibitor reveals predominant cell cycle phenotype - PMC \[pmc.ncbi.nlm.nih.gov\]](#)
- [6. Identification of CDK7 Inhibitors from Natural Sources Using Pharmacoinformatics and Molecular Dynamics Simulations - PMC \[pmc.ncbi.nlm.nih.gov\]](#)
- [7. bpsbioscience.com \[bpsbioscience.com\]](#)
- To cite this document: BenchChem. [Application Notes and Protocols for In Vitro Assays of Cdk7 Inhibitors]. BenchChem, [2026]. [Online PDF]. Available at: [\[https://www.benchchem.com/product/b15138944/docs#application-notes-and-protocols-for-in-vitro-assays-of-cdk7-inhibitors\]](https://www.benchchem.com/product/b15138944/docs#application-notes-and-protocols-for-in-vitro-assays-of-cdk7-inhibitors)

Disclaimer & Data Validity:

The information provided in this document is for Research Use Only (RUO) and is strictly not intended for diagnostic or therapeutic procedures. While BenchChem strives to provide accurate protocols, we make no warranties, express or implied, regarding the fitness of this product for every specific experimental setup.

Technical Support: The protocols provided are for reference purposes. Unsure if this reagent suits your experiment?

Need Industrial/Bulk Grade? [Request Custom Synthesis Quote](#)

BenchChem

Our mission is to be the trusted global source of essential and advanced chemicals, empowering scientists and researchers to drive progress in science and industry.

Contact

Address: 3281 E Guasti Rd
Ontario, CA 91761, United States
Phone: (601) 213-4426
Email: info@benchchem.com

[Contact our Ph.D. Support Team for a compatibility check](#)