

Addressing batch-to-batch variability of TNG348 compound

Author: BenchChem Technical Support Team. **Date:** April 2026

Compound of Interest

Compound Name: TNG348
Cat. No.: B15136822

[Get Quote](#)

Technical Support Center: TNG348 Compound

This technical support center provides troubleshooting guides and frequently asked questions (FAQs) to assist researchers, scientists, and drug development professionals in addressing potential batch-to-batch variability of the **TNG348** compound.

Frequently Asked Questions (FAQs)

Q1: What is **TNG348** and what is its mechanism of action?

TNG348 is an orally available, selective, and reversible allosteric inhibitor of Ubiquitin-Specific Protease 1 (USP1).[1][2][3] USP1 is a deubiquitinating enzyme that plays a critical role in DNA damage repair pathways, particularly in the Fanconi anemia pathway and translesion synthesis.[4] By inhibiting USP1, **TNG348** prevents the deubiquitination of key proteins like FANCD2 and PCNA, leading to disruption of DNA repair, which is particularly effective in cancer cells with existing DNA damage response defects, such as those with BRCA1/2 mutations.[2][4] **TNG348** has been shown to have synergistic effects when used in combination with PARP inhibitors.[1][5]

Q2: Why am I observing different experimental results with a new batch of **TNG348**?

Batch-to-batch variability in small molecule inhibitors like **TNG348** can arise from several factors:

- **Chemical Purity:** The presence of impurities from the synthesis process can affect the compound's activity.
- **Polymorphism:** Different crystalline forms (polymorphs) of the compound can have different solubility and bioavailability.
- **Compound Stability:** Degradation of the compound due to improper storage or handling can lead to reduced potency.
- **Weighing and Dissolution:** Inaccuracies in weighing or incomplete dissolution of the compound can result in incorrect experimental concentrations.

Q3: How should I properly store and handle **TNG348** to ensure its stability?

To maintain the integrity of **TNG348**, follow these storage guidelines:

- **Solid Compound:** Store the powdered form of **TNG348** at -20°C for up to three years.^[1]
- **Stock Solutions:** Prepare a concentrated stock solution in high-purity, anhydrous DMSO.^[1] Aliquot the stock solution into single-use vials to avoid repeated freeze-thaw cycles and store at -80°C for up to six months.^[1] When preparing the stock solution, ensure the DMSO is newly opened as it is hygroscopic, and water content can affect solubility.^[1]

Q4: What are the recommended quality control checks I can perform on a new batch of **TNG348**?

While comprehensive quality control requires specialized analytical equipment, researchers can perform some basic checks:

- **Visual Inspection:** Check for any changes in the physical appearance (color, crystallinity) of the powder compared to previous batches.
- **Solubility Test:** Ensure the compound dissolves completely in DMSO at the expected concentration. Any precipitation could indicate an issue.

- **Biological Positive Control:** Test the new batch in a well-established, sensitive cell line alongside a previous, validated batch to compare its biological activity (e.g., IC50 value).

Troubleshooting Guides

Issue 1: Inconsistent IC50 Values in Cell-Based Assays

Possible Causes & Solutions

Possible Cause	Troubleshooting Step
Batch-to-Batch Variability of TNG348	1. Validate the New Batch: Perform a dose-response experiment comparing the new batch with a previously validated batch. 2. Analytical Chemistry Verification: If significant discrepancies are observed, consider analytical testing (e.g., HPLC, LC-MS) to confirm the purity and identity of the new batch.
Cell Culture Conditions	1. Cell Passage Number: Use cells within a consistent and low passage number range. 2. Cell Health: Ensure cells are healthy and free from contamination. 3. Seeding Density: Maintain a consistent cell seeding density across experiments.
Compound Handling	1. Fresh Dilutions: Prepare fresh serial dilutions from the stock solution for each experiment. 2. DMSO Concentration: Ensure the final DMSO concentration is consistent across all wells and is below the tolerance level of your cell line (typically <0.5%).
Assay Protocol	1. Incubation Time: Use a consistent incubation time for all experiments. 2. Reagent Quality: Ensure all other reagents used in the assay are of high quality and not expired.

Issue 2: Reduced or No Compound Activity Observed

Possible Causes & Solutions

Possible Cause	Troubleshooting Step
Compound Degradation	1. Check Storage Conditions: Verify that the compound has been stored correctly (solid at -20°C, DMSO stock at -80°C). 2. Prepare Fresh Stock: If the stock solution is old or has been subjected to multiple freeze-thaw cycles, prepare a fresh stock from the solid compound.
Incomplete Dissolution	1. Ensure Complete Solubilization: When preparing the stock solution, ensure the compound is fully dissolved. Gentle warming or sonication may be required. ^[1] Visually inspect for any precipitate before making further dilutions.
Experimental System	1. Target Expression: Confirm that your cell line expresses USP1. 2. Pathway Activation: The DNA damage response pathway may need to be activated in your experimental model to observe the effects of USP1 inhibition.
Incorrect Concentration	1. Verify Calculations: Double-check all calculations for preparing stock solutions and serial dilutions. 2. Pipetting Accuracy: Use calibrated pipettes and ensure accurate pipetting.

Data Presentation

Table 1: **TNG348** Compound Information

Property	Value	Reference
Target	Ubiquitin-Specific Protease 1 (USP1)	[1][2][3]
Mechanism of Action	Allosteric, Reversible Inhibitor	[1]
Molecular Formula	C ₂₇ H ₂₃ F ₆ N ₉ O	[1]
Molecular Weight	603.52 g/mol	[1]
Appearance	White to light yellow solid	[1]

Table 2: Recommended Storage Conditions for **TNG348**

Form	Storage Temperature	Duration	Reference
Solid (Powder)	-20°C	Up to 3 years	[1]
DMSO Stock Solution	-80°C	Up to 6 months	[1]
DMSO Stock Solution	-20°C	Up to 1 month	[1]

Experimental Protocols

Protocol 1: Comparative Dose-Response Assay to Validate a New Batch of **TNG348**

- Cell Seeding: Seed a cancer cell line known to be sensitive to **TNG348** (e.g., a BRCA1-mutant cell line) in 96-well plates at a predetermined optimal density. Allow cells to adhere overnight.
- Compound Preparation:
 - Prepare a 10 mM stock solution of both the new and a previously validated batch of **TNG348** in anhydrous DMSO.
 - Perform serial dilutions of each stock solution in cell culture medium to achieve a range of final concentrations (e.g., 0.1 nM to 10 μM). Include a vehicle control (DMSO only) at the same final concentration as the highest **TNG348** concentration.

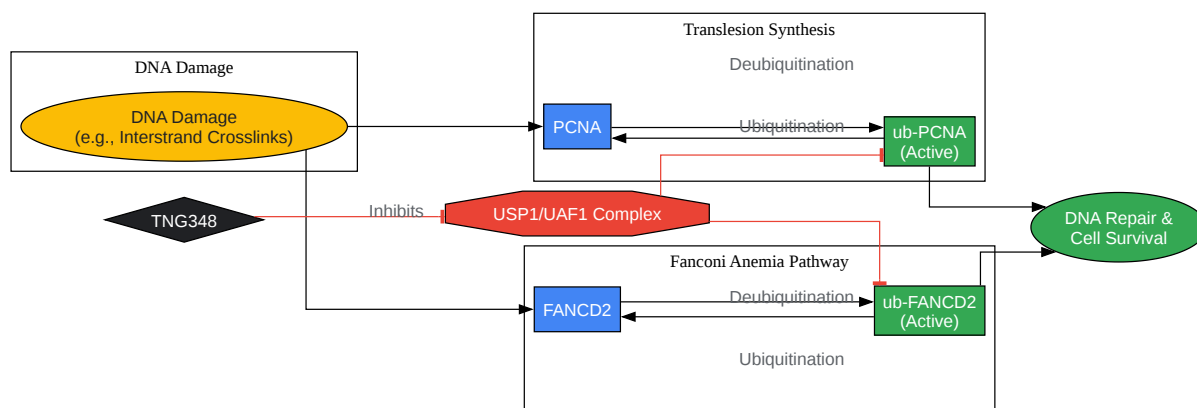
- Cell Treatment: Remove the old medium from the cells and add the medium containing the different concentrations of the new batch, the old batch, and the vehicle control.
- Incubation: Incubate the plates for a predetermined time (e.g., 72 hours) at 37°C in a humidified incubator with 5% CO₂.
- Cell Viability Assay: Determine cell viability using a standard method such as MTT, MTS, or a luminescent-based assay (e.g., CellTiter-Glo®).
- Data Analysis:
 - Normalize the data to the vehicle control (100% viability).
 - Plot the normalized viability against the log of the compound concentration.
 - Calculate the IC₅₀ value for each batch using a non-linear regression curve fit.
 - A significant deviation in the IC₅₀ value of the new batch compared to the old batch may indicate a difference in potency.

Protocol 2: Western Blot for USP1 Target Engagement

- Cell Treatment: Treat a sensitive cell line with the new and old batches of **TNG348** at a concentration known to be effective (e.g., 100 nM) for a specified time (e.g., 24 hours). Include a vehicle control.
- Cell Lysis: Harvest the cells and prepare whole-cell lysates using a suitable lysis buffer containing protease and phosphatase inhibitors.
- Protein Quantification: Determine the protein concentration of each lysate using a standard method (e.g., BCA assay).
- SDS-PAGE and Western Blotting:
 - Separate equal amounts of protein from each sample by SDS-PAGE.
 - Transfer the proteins to a PVDF or nitrocellulose membrane.

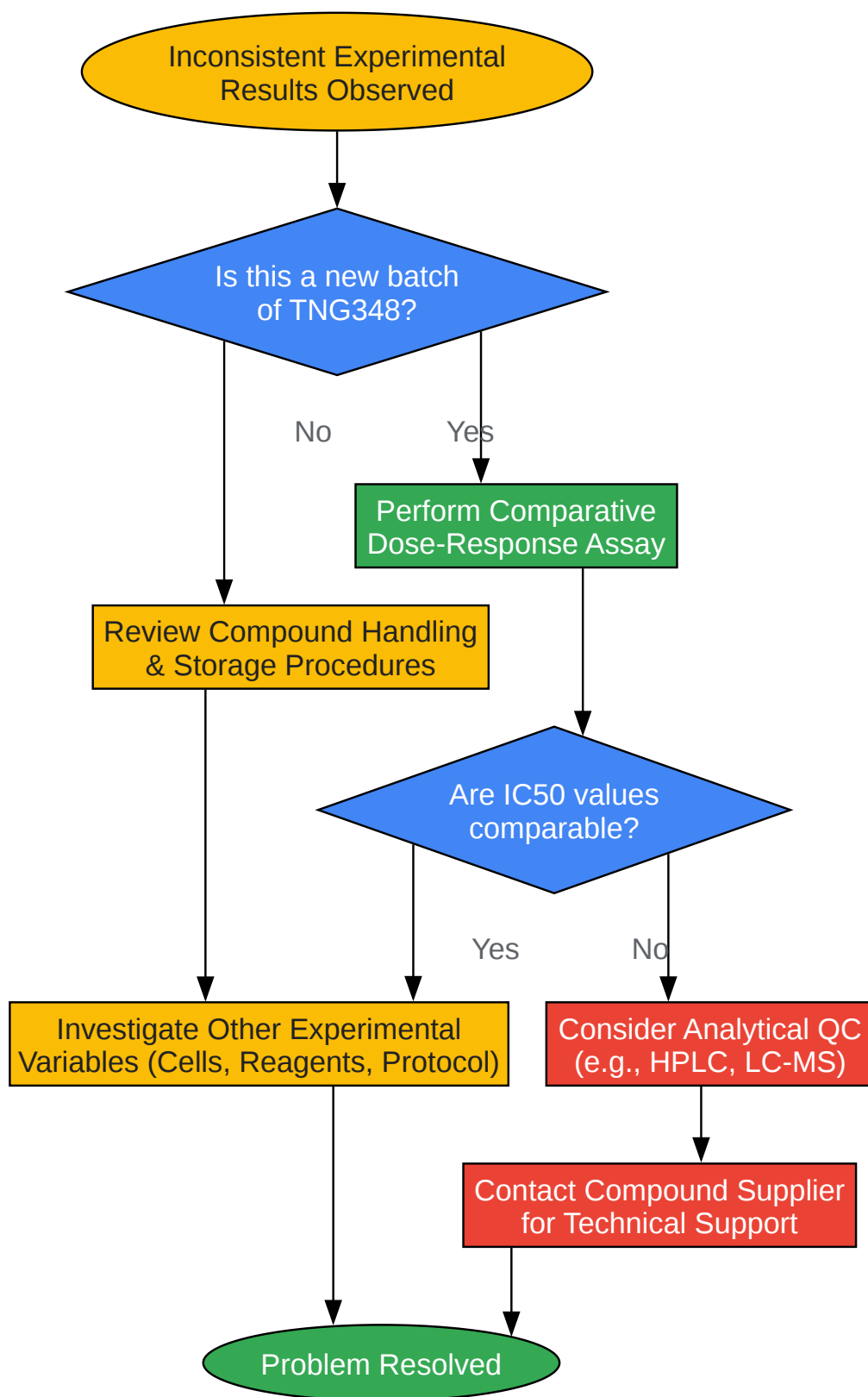
- Probe the membrane with primary antibodies against ubiquitinated PCNA (ub-PCNA) and total PCNA. An increase in the ub-PCNA/total PCNA ratio indicates USP1 inhibition.
- Use an antibody against a housekeeping protein (e.g., GAPDH or β -actin) as a loading control.
- Detection and Analysis:
 - Incubate the membrane with the appropriate secondary antibodies.
 - Visualize the protein bands using a chemiluminescence or fluorescence detection system.
 - Quantify the band intensities and compare the levels of ub-PCNA between the different treatment groups. A similar increase in ub-PCNA for both batches indicates comparable target engagement.

Mandatory Visualizations



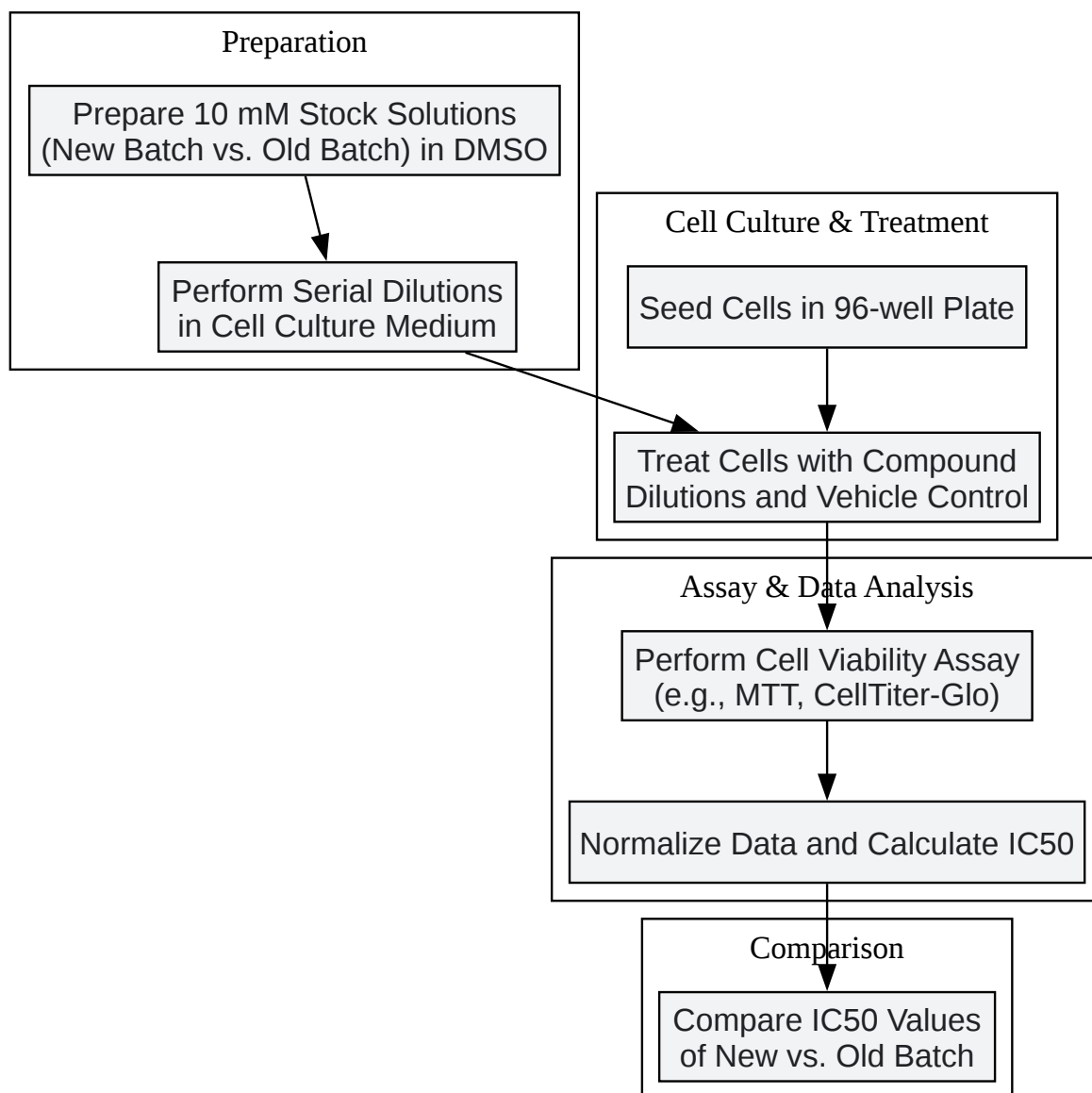
[Click to download full resolution via product page](#)

Caption: **TNG348** inhibits the USP1/UAF1 complex, preventing deubiquitination and promoting DNA repair.



[Click to download full resolution via product page](#)

Caption: A logical workflow for troubleshooting inconsistent results with **TNG348**.



[Click to download full resolution via product page](#)

Caption: Experimental workflow for comparative analysis of different **TNG348** batches.

Need Custom Synthesis?

BenchChem offers custom synthesis for rare earth carbides and specific isotopic labeling.

Email: info@benchchem.com or [Request Quote Online](#).

References

- [1. medchemexpress.com \[medchemexpress.com\]](https://www.medchemexpress.com)
- [2. Item - Supplementary Table S1 from Characterization of TNG348: A Selective, Allosteric USP1 Inhibitor That Synergizes with PARP Inhibitors in Tumors with Homologous Recombination Deficiency - American Association for Cancer Research - Figshare \[aacr.figshare.com\]](#)
- [3. tangotx.com \[tangotx.com\]](https://www.tangotx.com)
- [4. What are USP1 inhibitors and how do they work? \[synapse.patsnap.com\]](https://synapse.patsnap.com)
- [5. Characterization of TNG348: A Selective, Allosteric USP1 Inhibitor That Synergizes with PARP Inhibitors in Tumors with Homologous Recombination Deficiency - PMC \[pmc.ncbi.nlm.nih.gov\]](#)
- [To cite this document: BenchChem. \[Addressing batch-to-batch variability of TNG348 compound\]. BenchChem, \[2026\]. \[Online PDF\]. Available at: \[https://www.benchchem.com/product/b15136822/docs#addressing-batch-to-batch-variability-of-tng348-compound\]](#)

Disclaimer & Data Validity:

The information provided in this document is for Research Use Only (RUO) and is strictly not intended for diagnostic or therapeutic procedures. While BenchChem strives to provide accurate protocols, we make no warranties, express or implied, regarding the fitness of this product for every specific experimental setup.

Technical Support: The protocols provided are for reference purposes. Unsure if this reagent suits your experiment?

Need Industrial/Bulk Grade? [Request Custom Synthesis Quote](#)

BenchChem

Our mission is to be the trusted global source of essential and advanced chemicals, empowering scientists and researchers to drive progress in science and industry.

Contact

Address: 3281 E Guasti Rd

Ontario, CA 91761, United States

Phone: (601) 213-4426

Email: info@benchchem.com

[Contact our Ph.D. Support Team for a compatibility check](#)