

# Comparative Transcriptome Analysis of Iso-X-Treated Cells: A Guide for Researchers

**Author:** BenchChem Technical Support Team. **Date:** April 2026

## Compound of Interest

Compound Name: *Isobellendine*

Cat. No.: *B14903090*

[Get Quote](#)

This guide provides a comparative analysis of the transcriptomic effects of the novel therapeutic compound, Iso-X, against the well-established alternative, Compound-Y, in a human cancer cell line. The data presented herein is intended to serve as a comprehensive resource for researchers, scientists, and drug development professionals investigating novel anti-cancer agents.

## Introduction to Iso-X

Iso-X is a novel synthetic molecule currently under investigation for its potential anti-proliferative effects in various cancer models. Preliminary studies suggest that Iso-X may induce cell cycle arrest and apoptosis by modulating key signaling pathways involved in tumor progression. This guide offers a detailed comparison of the transcriptomic landscape of cells treated with Iso-X versus Compound-Y, a standard chemotherapeutic agent, to elucidate the unique and overlapping mechanisms of action.

## Comparative Transcriptome Data

The following tables summarize the quantitative data from RNA sequencing (RNA-seq) analysis of a human colorectal cancer cell line (HT-29) treated with either Iso-X or Compound-Y for 24 hours.

Table 1: Summary of Differentially Expressed Genes (DEGs)

Treatment Group	Total DEGs (p < 0.05)	Upregulated Genes	Downregulated Genes
Iso-X (10 µM)	1,258	734	524
Compound-Y (5 µM)	972	589	383
Common DEGs	412	289	123

Table 2: Top 5 Upregulated Genes in Iso-X Treated Cells

Gene Symbol	Gene Name	Fold Change (log2)	p-value	Putative Function
CDKN1A	Cyclin Dependent Kinase Inhibitor 1A	4.2	1.3e-8	Cell cycle arrest
GADD45A	Growth Arrest and DNA Damage Inducible Alpha	3.8	2.5e-7	DNA repair, apoptosis
BAX	BCL2 Associated X, Apoptosis Regulator	3.5	5.1e-7	Apoptosis induction
TP53I3	Tumor Protein P53 Inducible Protein 3	3.2	8.9e-6	Pro-apoptotic
DDIT3	DNA Damage Inducible Transcript 3	3.1	1.2e-5	ER stress, apoptosis

Table 3: Top 5 Downregulated Genes in Iso-X Treated Cells

Gene Symbol	Gene Name	Fold Change (log2)	p-value	Putative Function
CCND1	Cyclin D1	-3.9	4.7e-8	Cell cycle progression
MYC	MYC Proto-Oncogene, bHLH Transcription Factor	-3.6	6.2e-7	Proliferation, growth
BCL2	BCL2 Apoptosis Regulator	-3.3	9.1e-7	Anti-apoptotic
E2F1	E2F Transcription Factor 1	-3.0	2.4e-6	Cell cycle progression
CDK4	Cyclin Dependent Kinase 4	-2.8	5.5e-6	Cell cycle progression

## Experimental Protocols

Detailed methodologies for the key experiments are provided below to ensure reproducibility.

### 3.1 Cell Culture and Treatment

- Cell Line: HT-29 (human colorectal adenocarcinoma).
- Culture Medium: McCoy's 5A Medium supplemented with 10% Fetal Bovine Serum (FBS) and 1% Penicillin-Streptomycin.
- Culture Conditions: Cells were maintained at 37°C in a humidified atmosphere of 5% CO<sub>2</sub>.
- Treatment: Cells were seeded in 6-well plates and grown to 70-80% confluency. The culture medium was then replaced with fresh medium containing either Iso-X (10 µM), Compound-Y (5 µM), or DMSO (vehicle control). Cells were incubated for 24 hours before harvesting.

### 3.2 RNA Isolation and Quality Control

- Total RNA was extracted from the treated and control cells using the RNeasy Mini Kit (Qiagen) according to the manufacturer's instructions.
- RNA concentration and purity were assessed using a NanoDrop spectrophotometer.
- RNA integrity was evaluated using the Agilent 2100 Bioanalyzer. Samples with an RNA Integrity Number (RIN) > 9.0 were used for library preparation.

### 3.3 RNA Sequencing (RNA-seq) Library Preparation and Sequencing

- RNA-seq libraries were prepared from 1 µg of total RNA using the NEBNext Ultra II RNA Library Prep Kit for Illumina.
- Poly(A) mRNA was isolated using oligo(dT) magnetic beads.
- The isolated mRNA was fragmented and primed for first-strand cDNA synthesis.
- Second-strand cDNA synthesis was performed, followed by end-repair, A-tailing, and ligation of Illumina adapters.
- The ligated products were amplified by PCR to create the final cDNA libraries.
- Libraries were sequenced on an Illumina NovaSeq 6000 platform with a paired-end 150 bp read length.

### 3.4 Bioinformatic Analysis

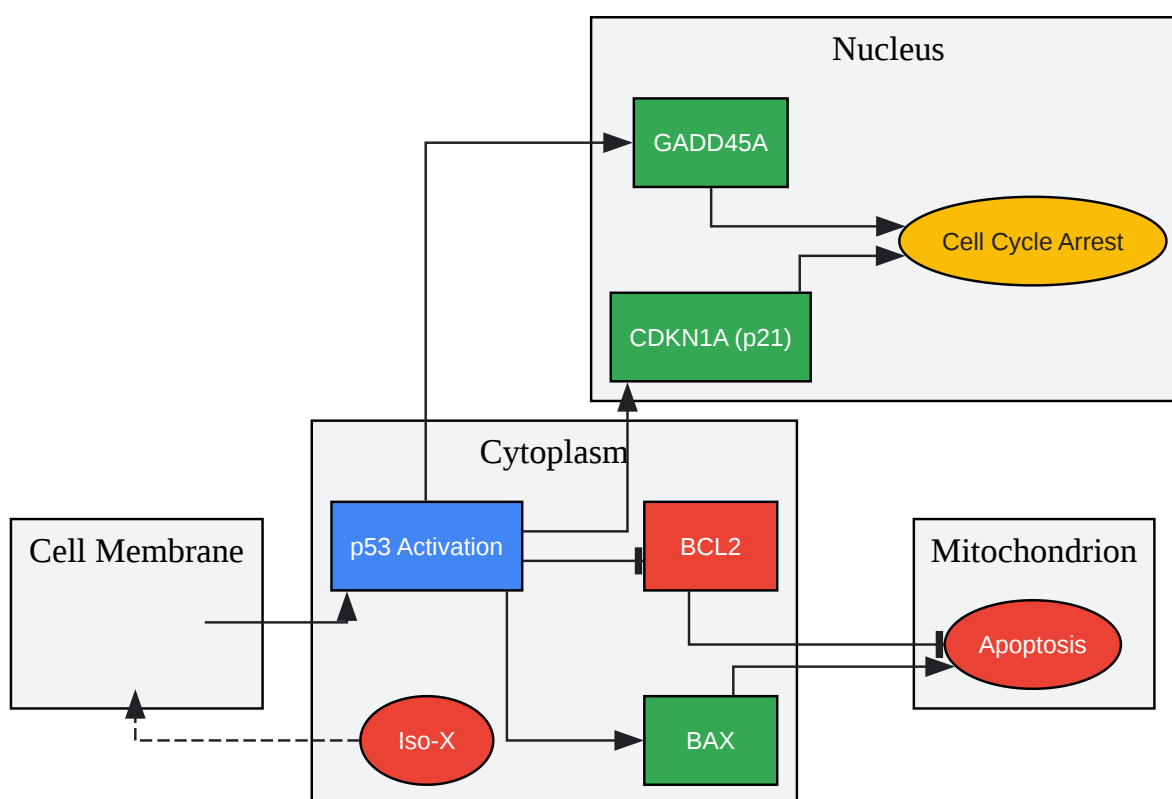
- Quality Control: Raw sequencing reads were assessed for quality using FastQC. Adapters and low-quality reads were trimmed using Trimmomatic.
- Alignment: The cleaned reads were aligned to the human reference genome (GRCh38) using the STAR aligner.
- Quantification: Gene expression levels were quantified as read counts using featureCounts.

- **Differential Expression Analysis:** Differential gene expression analysis was performed using DESeq2 in R. Genes with a p-adjusted value  $< 0.05$  and a log2 fold change  $> 1$  or  $< -1$  were considered differentially expressed.

## Visualization of Pathways and Workflows

### 4.1 Proposed Signaling Pathway for Iso-X

The following diagram illustrates the hypothesized signaling cascade initiated by Iso-X, leading to cell cycle arrest and apoptosis.

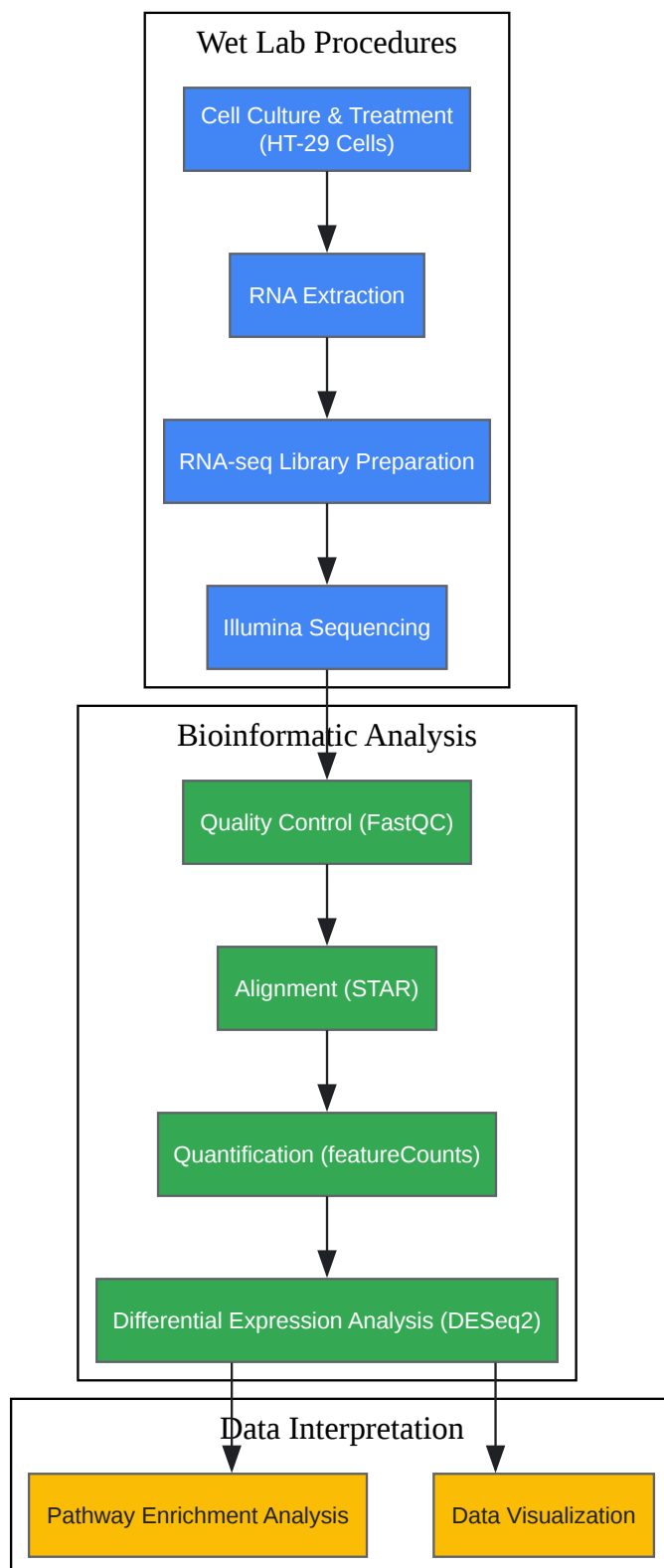


[Click to download full resolution via product page](#)

Caption: Hypothesized signaling pathway of Iso-X leading to apoptosis.

### 4.2 Experimental Workflow for Transcriptome Analysis

This diagram outlines the key steps in the experimental workflow, from cell culture to data analysis.



[Click to download full resolution via product page](#)

Caption: Workflow for comparative transcriptome analysis.

- To cite this document: BenchChem. [Comparative Transcriptome Analysis of Iso-X-Treated Cells: A Guide for Researchers]. BenchChem, [2026]. [Online PDF]. Available at: [\[https://www.benchchem.com/product/b14903090/docs#comparative-transcriptome-analysis-of-iso-x-treated-cells-a-guide-for-researchers\]](https://www.benchchem.com/product/b14903090/docs#comparative-transcriptome-analysis-of-iso-x-treated-cells-a-guide-for-researchers)

---

### Disclaimer & Data Validity:

The information provided in this document is for Research Use Only (RUO) and is strictly not intended for diagnostic or therapeutic procedures. While BenchChem strives to provide accurate protocols, we make no warranties, express or implied, regarding the fitness of this product for every specific experimental setup.

**Technical Support:** The protocols provided are for reference purposes. Unsure if this reagent suits your experiment?

**Need Industrial/Bulk Grade?** [Request Custom Synthesis Quote](#)

## BenchChem

Our mission is to be the trusted global source of essential and advanced chemicals, empowering scientists and researchers to drive progress in science and industry.

### Contact

Address: 3281 E Guasti Rd  
Ontario, CA 91761, United States  
Phone: (601) 213-4426  
Email: [info@benchchem.com](mailto:info@benchchem.com)

[Contact our Ph.D. Support Team for a compatibility check](#)

