

Technical Support Center: Normalization Strategies for Inosine-13C5 Metabolomics Data

Author: BenchChem Technical Support Team. **Date:** April 2026

Compound of Interest

Compound Name: *Inosine-13C5*

Cat. No.: *B13849729*

[Get Quote](#)

This technical support center is designed for researchers, scientists, and drug development professionals utilizing **Inosine-13C5** as an internal standard for metabolomics data normalization. It provides essential information through frequently asked questions, a comprehensive troubleshooting guide, detailed experimental protocols, and illustrative diagrams to ensure accurate and reproducible results.

Frequently Asked Questions (FAQs)

What is **Inosine-13C5** and why is it used as an internal standard in metabolomics?

Inosine-13C5 is a stable isotope-labeled form of inosine, where five carbon atoms have been replaced with the heavier ¹³C isotope.[1] It serves as an ideal internal standard (IS) in mass spectrometry-based metabolomics for several reasons. Due to its almost identical physicochemical properties to the naturally occurring (endogenous) inosine, it co-elutes during chromatographic separation and exhibits similar ionization behavior in the mass spectrometer. [2] This allows researchers to accurately quantify endogenous inosine levels by correcting for variations that can occur during sample preparation, extraction, and analysis.[3]

When is the optimal time to add the **Inosine-13C5** internal standard to my samples?

For the most effective normalization, the **Inosine-13C5** internal standard should be introduced into your samples at the earliest stage of your experimental workflow.[3] Ideally, this should be done before any sample extraction or cleanup procedures. Adding the IS early ensures that it accounts for any potential loss or degradation of the analyte throughout the entire sample preparation process, leading to more accurate and reliable quantification.[2]

How should I correct for the natural abundance of ¹³C in my metabolomics data?

Naturally occurring metabolites contain a small fraction of ¹³C isotopes, which can create interference in the measurement of your ¹³C-labeled internal standard. Therefore, correcting for this natural isotopic abundance is a crucial step for achieving accurate quantification.[4] This correction is typically performed using specialized software packages and computational algorithms that can effectively de-isotope the raw mass spectrometry data and distinguish the labeled signal from the natural background.[5]

Is it appropriate to use **Inosine-13C5** for the normalization of other metabolites?

While **Inosine-13C5** is the gold standard for quantifying endogenous inosine, its application for normalizing other metabolites, a practice known as surrogate normalization, should be approached with caution. For the highest degree of accuracy in quantification, the internal standard should be as chemically and physically similar to the target analyte as possible.[3] In cases where a specific stable isotope-labeled standard is unavailable for another metabolite of interest, a representative internal standard from a panel that encompasses various chemical classes may be considered.[6]

Troubleshooting Guide

This guide addresses common issues encountered during the normalization of metabolomics data using **Inosine-13C5**.

Issue	Possible Cause	Suggested Solution
<p>High Variability in Inosine-13C5 Signal Across Samples</p>	<p>Inconsistent Spiking of Internal Standard: Inaccurate or variable amounts of the Inosine-13C5 solution are being added to each sample.</p>	<p>- Utilize a calibrated pipette for the addition of the internal standard.- Prepare a master mix of the IS solution to be added to all samples, ensuring uniformity.- Vigorously vortex each sample after the addition of the IS to ensure thorough mixing.[7]</p>
<p>Degradation of Internal Standard: The Inosine-13C5 may have degraded due to improper storage or handling.</p>	<p>- Adhere to the manufacturer's guidelines for storage conditions and stability.- To avoid repeated freeze-thaw cycles, aliquot the IS solution upon receipt.- Perform a quality control check on the IS solution to confirm its purity and concentration.</p>	
<p>Instrument Instability: Fluctuations in the performance of the mass spectrometer during the analytical run.</p>	<p>- Incorporate quality control (QC) samples (e.g., a pooled sample matrix containing the IS) at regular intervals throughout the analytical batch.- Monitor the signal of the IS in the QC samples to evaluate instrument stability.- If significant signal drift is detected, pause the analysis to perform instrument calibration and any necessary maintenance.</p>	
<p>Poor Correlation Between Endogenous Inosine and Inosine-13C5 Signal</p>	<p>Matrix Effects (Ion Suppression or Enhancement): Components within the</p>	<p>- Enhance sample cleanup procedures (e.g., through solid-phase extraction) to</p>

	<p>biological matrix (such as salts and lipids) that co-elute with inosine and its IS can interfere with their ionization in the mass spectrometer's source. [8]</p>	<p>remove interfering matrix components.[7]- Optimize the chromatographic separation to resolve inosine from any interfering compounds.- If ion suppression is severe, consider evaluating alternative ionization sources (e.g., APCI instead of ESI).</p>
<p>Non-linear Detector Response: The detector of the mass spectrometer may be saturated due to high concentrations of inosine or the internal standard.</p>	<p>- Dilute the samples to ensure that the analyte concentrations fall within the linear dynamic range of the instrument.- To assess the linearity of the response, prepare a calibration curve with a broad range of concentrations.</p>	
<p>Inaccurate Quantification of Endogenous Inosine</p>	<p>Isotopic Impurity of Inosine-13C5: The Inosine-13C5 standard may contain a minor fraction of the unlabeled (12C) form.</p>	<p>- Review the certificate of analysis provided by the manufacturer to determine the isotopic purity of the standard. [1]- Employ data processing software capable of correcting for isotopic impurities.</p>
<p>Incorrect Concentration of the Internal Standard Stock Solution: Errors made during the preparation of the Inosine-13C5 stock solution.</p>	<p>- Exercise precision when preparing the stock solution by using a calibrated balance and volumetric flasks.- If feasible, independently verify the concentration of the stock solution.</p>	

Experimental Protocols

Protocol 1: Normalization of Inosine in Plasma Samples using Inosine-13C5 and LC-MS

This protocol outlines a general workflow for the quantification of inosine in human plasma samples.

1. Materials:

- Human plasma samples
- **Inosine-13C5** (isotopic enrichment >99%)[1]
- Methanol, Acetonitrile, Formic acid, and Water (all LC-MS grade)
- Microcentrifuge tubes
- Calibrated pipettes
- LC-MS system (e.g., UHPLC coupled to a triple quadrupole or high-resolution mass spectrometer)

2. Sample Preparation:

- **Prepare Internal Standard Spiking Solution:** Create a 1 mg/mL stock solution of **Inosine-13C5** in methanol. From this, prepare a 1 µg/mL working spiking solution in methanol.
- **Sample Thawing:** Thaw frozen plasma samples on ice.
- **Protein Precipitation and IS Spiking:** To 100 µL of each plasma sample, add 400 µL of ice-cold methanol containing **Inosine-13C5** (to a final concentration of 100 ng/mL in the methanol). Vortex for 30 seconds.
- **Centrifugation:** Centrifuge at 14,000 x g for 10 minutes at 4°C.
- **Supernatant Transfer:** Transfer the supernatant to a new tube.
- **Evaporation:** Dry the supernatant under a gentle stream of nitrogen.

- Reconstitution: Reconstitute the extract in 100 μ L of the initial mobile phase (e.g., 95:5 water:acetonitrile with 0.1% formic acid).
- Final Centrifugation: Centrifuge at 14,000 x g for 5 minutes at 4°C.
- Transfer: Transfer the supernatant to autosampler vials for LC-MS analysis.

3. LC-MS Analysis:

- LC Column: A HILIC column is recommended for separating polar metabolites like inosine.
- Mobile Phase A: Water with 0.1% formic acid.
- Mobile Phase B: Acetonitrile with 0.1% formic acid.
- Mass Spectrometry: Operate in positive ion mode using selected reaction monitoring (SRM) or by monitoring accurate masses.

4. Data Analysis:

- Integrate peak areas for endogenous inosine and **Inosine-13C5**.
- Calculate the response ratio: (Peak Area of Endogenous Inosine) / (Peak Area of **Inosine-13C5**).
- Generate a calibration curve using known concentrations of unlabeled inosine.
- Determine the concentration of endogenous inosine in the samples from the calibration curve.

Data Presentation

Table 1: Example LC-MS/MS Parameters for Inosine and **Inosine-13C5**

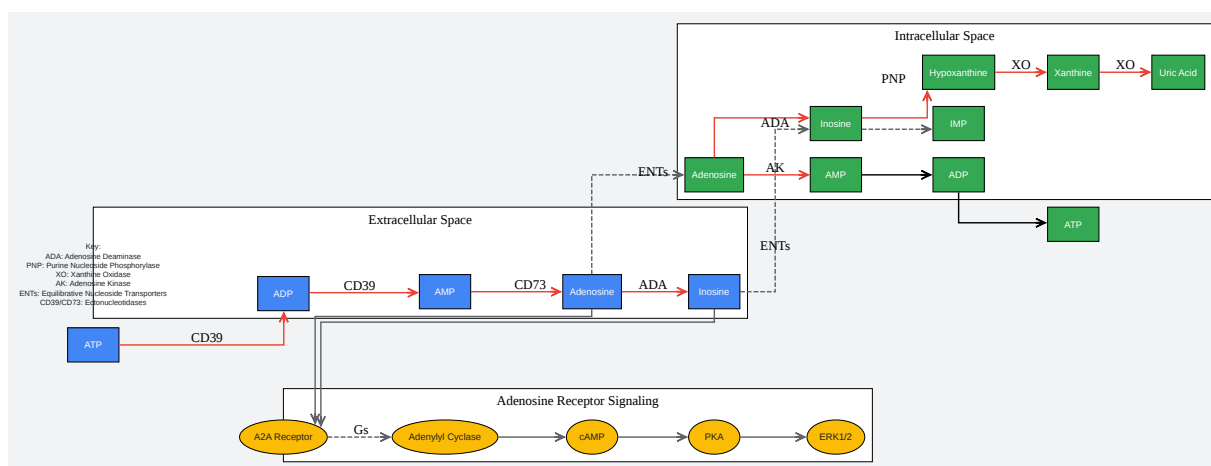
Compound	Precursor Ion (m/z)	Product Ion (m/z)	Collision Energy (eV)
Inosine	269.1	137.1	15
Inosine-13C5	274.1	142.1	15

Note: These parameters are illustrative and require optimization for your specific instrument.

Table 2: Example Quantitative Data from a Sample Analysis

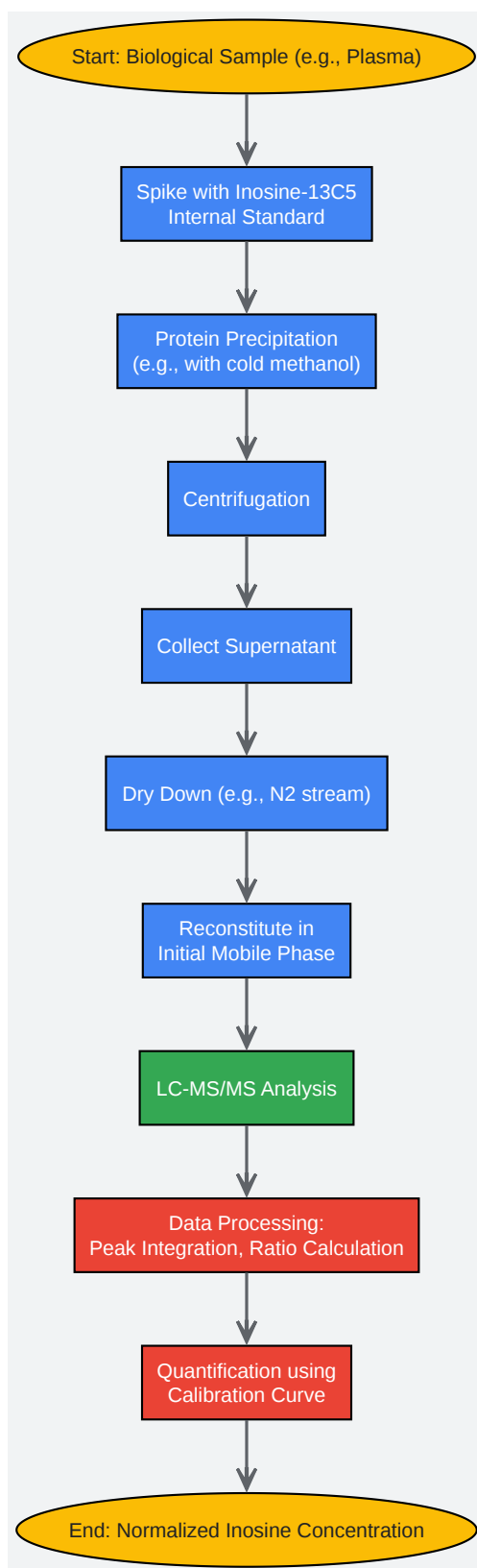
Sample ID	Endogenous Inosine Peak Area	Inosine-13C5 Peak Area	Response Ratio	Calculated Concentration (μM)
Control 1	1.25E+05	2.50E+05	0.50	2.5
Control 2	1.30E+05	2.48E+05	0.52	2.6
Treated 1	2.50E+05	2.52E+05	0.99	5.0
Treated 2	2.60E+05	2.49E+05	1.04	5.2

Mandatory Visualization



[Click to download full resolution via product page](#)

Inosine Metabolism and Signaling Pathway



[Click to download full resolution via product page](#)

Experimental Workflow for **Inosine-13C5** Normalization

Need Custom Synthesis?

BenchChem offers custom synthesis for rare earth carbides and specific isotopic labeling.

Email: info@benchchem.com or [Request Quote Online](#).

References

- [1. schd-shimadzu.com](http://schd-shimadzu.com) [schd-shimadzu.com]
- [2. Internal Standards in metabolomics - IsoLife](http://InternalStandardsinmetabolomics-IsoLife.com) [isolife.nl]
- [3. documents.thermofisher.com](http://documents.thermofisher.com) [documents.thermofisher.com]
- [4. researchgate.net](http://researchgate.net) [researchgate.net]
- [5. A novel stable isotope labelling assisted workflow for improved untargeted LC–HRMS based metabolomics research - PMC](https://pubmed.ncbi.nlm.nih.gov/31111111/) [[pmc.ncbi.nlm.nih.gov](https://pubmed.ncbi.nlm.nih.gov/31111111/)]
- [6. iroatech.com](http://iroatech.com) [iroatech.com]
- [7. benchchem.com](http://benchchem.com) [benchchem.com]
- [8. Suitability of a fully ¹³C isotope labeled internal standard for the determination of the mycotoxin deoxynivalenol by LC-MS/MS without clean up - PubMed](https://pubmed.ncbi.nlm.nih.gov/31111111/) [[pubmed.ncbi.nlm.nih.gov](https://pubmed.ncbi.nlm.nih.gov/31111111/)]
- To cite this document: BenchChem. [Technical Support Center: Normalization Strategies for Inosine-¹³C₅ Metabolomics Data]. BenchChem, [2026]. [Online PDF]. Available at: [<https://www.benchchem.com/product/b13849729/docs#technical-support-center-normalization-strategies-for-inosine-13c5-metabolomics-data>]

Disclaimer & Data Validity:

The information provided in this document is for Research Use Only (RUO) and is strictly not intended for diagnostic or therapeutic procedures. While BenchChem strives to provide accurate protocols, we make no warranties, express or implied, regarding the fitness of this product for every specific experimental setup.

Technical Support: The protocols provided are for reference purposes. Unsure if this reagent suits your experiment?

Need Industrial/Bulk Grade? [Request Custom Synthesis Quote](#)

BenchChem

Our mission is to be the trusted global source of essential and advanced chemicals, empowering scientists and researchers to drive progress in science and industry.

Contact

Address: 3281 E Guasti Rd

Ontario, CA 91761, United States

Phone: (601) 213-4426

Email: info@benchchem.com

[Contact our Ph.D. Support Team for a compatibility check](#)