

Technical Support Center: Interpreting PACAP (1-38) Signaling Data

Author: BenchChem Technical Support Team. **Date:** April 2026

Compound of Interest

Compound Name: PACAP (1-38), human, ovine, rat

Cat. No.: B13828911

[Get Quote](#)

This technical support center provides troubleshooting guides and frequently asked questions (FAQs) to assist researchers, scientists, and drug development professionals in navigating the complexities of Pituitary Adenylate Cyclase-Activating Polypeptide (PACAP) (1-38) signaling experiments.

Frequently Asked Questions (FAQs)

Q1: Why am I observing different cellular responses with PACAP (1-38) compared to PACAP (1-27)?

A1: PACAP (1-38) and its shorter form, PACAP (1-27), can activate distinct signaling pathways, leading to different biological outcomes. While both peptides can bind to the same receptors, PACAP (1-38) has been shown to uniquely activate certain cascades, such as the Phospholipase C (PLC) pathway, in some cell types. This differential activation can account for variations in observed cellular responses.^{[1][2]}

Q2: My results are inconsistent across different cell lines. What could be the cause?

A2: The interpretation of PACAP (1-38) signaling is highly dependent on the cellular context. Different cell types express varying levels of the three main PACAP receptors: PAC1, VPAC1,

and VPAC2. PACAP (1-38) exhibits high affinity for all three, but the downstream signaling can differ significantly depending on the predominant receptor and the presence of specific receptor splice variants.^{[3][4][5]} This variability in receptor expression is a common source of inconsistent results across different cell lines.

Q3: I'm seeing unexpected agonist activity with the antagonist PACAP(6-38). Is this normal?

A3: Yes, this is a known phenomenon. While PACAP(6-38) is widely used as a competitive antagonist for PAC1 and VPAC2 receptors, it can exhibit weak partial agonist activity at high concentrations, potentially leading to a slight increase in basal cAMP levels.^{[6][7][8][9]} It is crucial to perform dose-response curves to determine the optimal concentration for antagonism without inducing agonist effects in your specific experimental system.

Q4: What are the primary signaling pathways activated by PACAP (1-38)?

A4: PACAP (1-38) can activate multiple intracellular signaling pathways, primarily through G-protein coupled receptors (GPCRs). The main cascades include:

- Adenylate Cyclase (AC) / cyclic AMP (cAMP) / Protein Kinase A (PKA) pathway: Activated via G_s coupling, leading to an increase in intracellular cAMP.
- Phospholipase C (PLC) / Inositol Trisphosphate (IP3) / Diacylglycerol (DAG) / Protein Kinase C (PKC) pathway: Often initiated by G_q coupling, resulting in intracellular calcium mobilization and PKC activation.
- Mitogen-Activated Protein Kinase (MAPK) / Extracellular signal-Regulated Kinase (ERK) pathway: Can be activated downstream of both the cAMP/PKA and PLC/PKC pathways.^{[10][11][12]}

Troubleshooting Guides

Issue 1: High Variability in cAMP Assay Results

- Potential Cause: Inconsistent cell culture conditions, such as cell density, passage number, or serum starvation, can alter receptor expression and signaling. Improper handling of peptides, including repeated freeze-thaw cycles, can lead to degradation.

- Troubleshooting Steps:
 - Standardize Cell Culture: Maintain consistent cell seeding densities and passage numbers. Ensure a consistent serum starvation period before the assay.
 - Proper Peptide Handling: Aliquot reconstituted PACAP (1-38) to avoid multiple freeze-thaw cycles. Store at -20°C or -80°C for long-term stability.[13]
 - Optimize Assay Conditions: Ensure the use of a phosphodiesterase inhibitor (e.g., IBMX) to prevent cAMP degradation during the assay.
 - Run Appropriate Controls: Include a positive control (e.g., forskolin) to confirm that the adenylyl cyclase pathway is functional in your cells.

Issue 2: No or Weak ERK1/2 Phosphorylation Signal on Western Blot

- Potential Cause: The timing of cell lysis after PACAP (1-38) stimulation is critical, as ERK phosphorylation can be transient. Insufficient antibody concentration or incubation time can also lead to weak signals.
- Troubleshooting Steps:
 - Optimize Stimulation Time: Perform a time-course experiment (e.g., 5, 15, 30, 60 minutes) to determine the peak of ERK1/2 phosphorylation in your cell model.
 - Ensure Fresh Lysates: Prepare fresh cell lysates for each experiment and add protease and phosphatase inhibitors to the lysis buffer to prevent protein degradation and dephosphorylation.
 - Validate Antibodies: Use phospho-specific ERK1/2 antibodies that have been validated for your application. Follow the manufacturer's recommendations for antibody dilution and incubation times.
 - Load Sufficient Protein: Ensure you are loading an adequate amount of total protein (typically 20-30 µg) per lane on your SDS-PAGE gel.

Issue 3: Difficulty Interpreting the Contribution of Different Signaling Pathways

- **Potential Cause:** The interconnectedness of PACAP-activated signaling pathways can make it challenging to isolate the contribution of each cascade to the final cellular response.
- **Troubleshooting Steps:**
 - **Use Pathway-Specific Inhibitors:** Employ well-characterized pharmacological inhibitors for PKA (e.g., H89, Rp-cAMPS), PKC (e.g., Gö 6983, Bim-I), and MEK/ERK (e.g., U0126, PD98059) to dissect the involvement of each pathway.
 - **Perform Dose-Response Curves:** Characterize the potency (EC50) of PACAP (1-38) for activating different signaling endpoints (e.g., cAMP accumulation vs. calcium mobilization vs. ERK phosphorylation). Differences in potency can suggest the involvement of different receptor subtypes or signaling efficiencies.
 - **Knockdown of Signaling Components:** If feasible in your system, use siRNA or shRNA to specifically knockdown key proteins in each pathway to confirm their role in the observed response.

Quantitative Data Summary

Table 1: PACAP Receptor Binding Affinities

Ligand	Receptor	Binding Affinity (Kd/IC50)	Cell System/Tissue
PACAP (1-38)	PAC1	~0.5 nM (Kd)	Various
PACAP (1-27)	PAC1	~0.5 nM (Kd)	Various
VIP	PAC1	>500 nM (Kd)	Various
PACAP (1-38)	VPAC1	~2 nM (IC50)	Rat
PACAP (1-27)	VPAC1	~2 nM (IC50)	Rat
PACAP (1-38)	VPAC2	~1 nM (IC50)	Human
PACAP (1-27)	VPAC2	~5 nM (IC50)	Human

Note: Binding affinities can vary depending on the specific cell line, receptor splice variant, and assay conditions.[\[5\]](#)[\[14\]](#)

Table 2: PACAP (1-38) Signaling Potency (EC50 Values)

Signaling Pathway	Cell System	EC50
cAMP Accumulation	N1E-115 Neuroblastoma Cells	0.54 nM
cAMP Accumulation	Rat Primary Pituitary Cells	0.9 ± 0.3 nM
ERK Phosphorylation	SH-SY5Y Neuroblastoma Cells	0.7 nM
p38 MAPK Phosphorylation	SH-SY5Y Neuroblastoma Cells	1.5 nM
Intracellular Ca ²⁺ Mobilization	N1E-115 Neuroblastoma Cells	~10 nM

Note: EC50 values are highly dependent on the experimental setup and cell type used.[\[1\]](#)[\[2\]](#)
[\[15\]](#)

Experimental Protocols

Protocol 1: cAMP Accumulation Assay

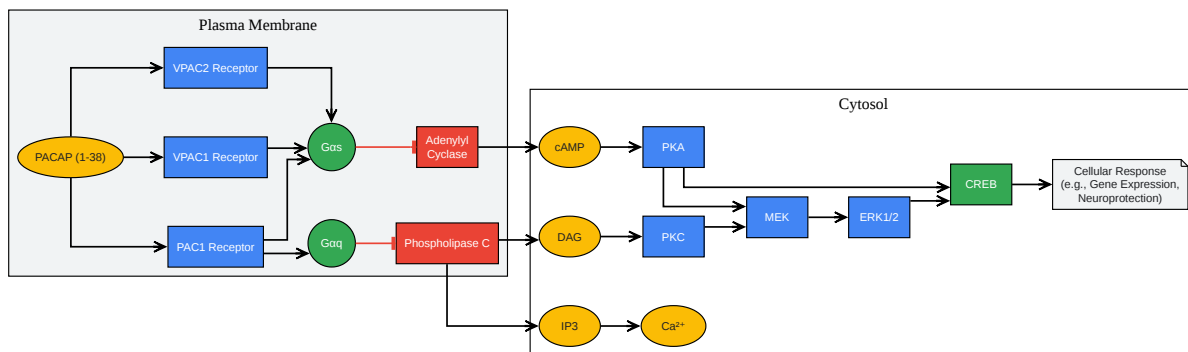
- Cell Preparation: Seed cells expressing PACAP receptors into a 96-well plate and culture overnight.
- Pre-incubation: Wash cells with serum-free media and then pre-incubate with a phosphodiesterase inhibitor (e.g., 100 µM IBMX) for 30 minutes at 37°C.
- Stimulation: Add varying concentrations of PACAP (1-38) or controls (e.g., forskolin) to the wells and incubate for 15-30 minutes at 37°C.
- Cell Lysis: Aspirate the media and lyse the cells according to the cAMP assay kit manufacturer's instructions.
- cAMP Measurement: Determine the intracellular cAMP concentration using a competitive immunoassay format, such as HTRF, ELISA, or LANCE.[\[16\]](#)

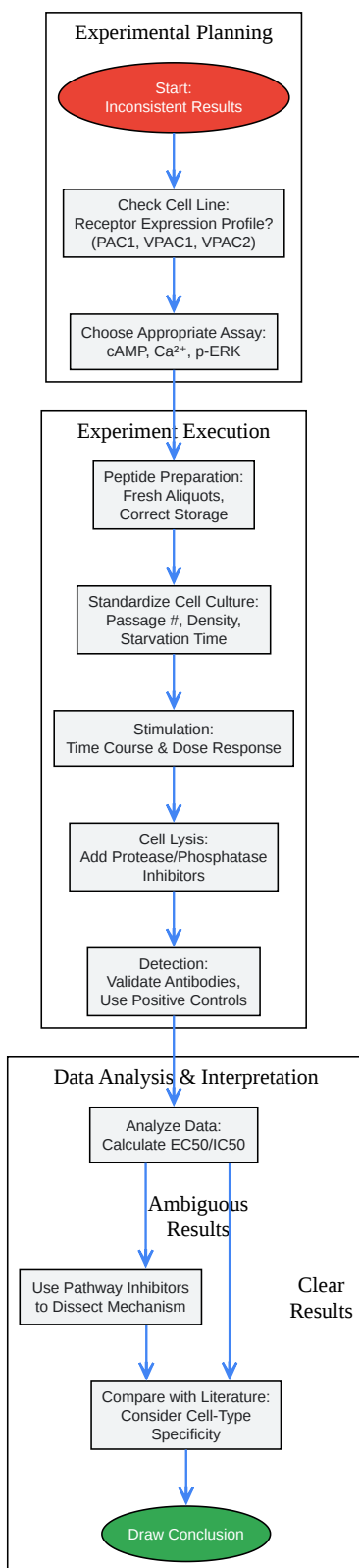
- **Data Analysis:** Plot the cAMP concentration against the log of the PACAP (1-38) concentration and perform a non-linear regression to determine the EC50 value.

Protocol 2: ERK1/2 Phosphorylation Western Blot

- **Cell Culture and Treatment:** Plate cells and grow to 70-80% confluency. Serum-starve the cells overnight before treating with PACAP (1-38) for the desired time points.
- **Cell Lysis:** Wash cells with ice-cold PBS and lyse with RIPA buffer containing protease and phosphatase inhibitors.
- **Protein Quantification:** Determine the protein concentration of each lysate using a BCA or Bradford assay.
- **SDS-PAGE and Transfer:** Load equal amounts of protein (20-30 μ g) onto an SDS-PAGE gel, separate the proteins by electrophoresis, and transfer them to a PVDF or nitrocellulose membrane.
- **Blocking:** Block the membrane with 5% BSA or non-fat milk in TBST for 1 hour at room temperature.
- **Primary Antibody Incubation:** Incubate the membrane with a primary antibody specific for phosphorylated ERK1/2 (p-ERK1/2) overnight at 4°C.
- **Secondary Antibody Incubation:** Wash the membrane with TBST and incubate with an HRP-conjugated secondary antibody for 1 hour at room temperature.
- **Detection:** Visualize the protein bands using an enhanced chemiluminescence (ECL) substrate and an imaging system.
- **Stripping and Re-probing:** To normalize for protein loading, the membrane can be stripped and re-probed with an antibody for total ERK1/2.[\[17\]](#)[\[18\]](#)[\[19\]](#)
- **Densitometry:** Quantify the band intensities and express the p-ERK1/2 signal as a ratio to the total ERK1/2 signal.

Visualizations





[Click to download full resolution via product page](#)

Need Custom Synthesis?

BenchChem offers custom synthesis for rare earth carbides and specific isotopic labeling.

Email: info@benchchem.com or [Request Quote Online](#).

References

- 1. PACAP-38 induces neuronal differentiation of human SH-SY5Y neuroblastoma cells via cAMP-mediated activation of ERK and p38 MAP kinases - PMC [[pmc.ncbi.nlm.nih.gov](https://pubmed.ncbi.nlm.nih.gov/)]
- 2. Characterization of pituitary adenylate cyclase-activating polypeptide 38 (PACAP38)-, PACAP27-, and vasoactive intestinal peptide-stimulated responses in N1E-115 neuroblastoma cells - PubMed [pubmed.ncbi.nlm.nih.gov]
- 3. academic.oup.com [academic.oup.com]
- 4. researchgate.net [researchgate.net]
- 5. mdpi.com [mdpi.com]
- 6. benchchem.com [benchchem.com]
- 7. PACAP receptor pharmacology and agonist bias: analysis in primary neurons and glia from the trigeminal ganglia and transfected cells - PMC [[pmc.ncbi.nlm.nih.gov](https://pubmed.ncbi.nlm.nih.gov/)]
- 8. researchgate.net [researchgate.net]
- 9. Agonistic behavior of PACAP6-38 on sensory nerve terminals and cytotrophoblast cells - PubMed [pubmed.ncbi.nlm.nih.gov]
- 10. Parallel signaling pathways of pituitary adenylate cyclase activating polypeptide (PACAP) regulate several intrinsic ion channels - PMC [[pmc.ncbi.nlm.nih.gov](https://pubmed.ncbi.nlm.nih.gov/)]
- 11. PACAP-induced ERK activation in HEK cells expressing PAC1 receptors involves both receptor internalization and PKC signaling - PMC [[pmc.ncbi.nlm.nih.gov](https://pubmed.ncbi.nlm.nih.gov/)]
- 12. mdpi.com [mdpi.com]
- 13. benchchem.com [benchchem.com]
- 14. medchemexpress.com [medchemexpress.com]
- 15. benchchem.com [benchchem.com]
- 16. pubs.acs.org [pubs.acs.org]
- 17. jneurosci.org [jneurosci.org]

- 18. Measuring agonist-induced ERK MAP kinase phosphorylation for G-protein-coupled receptors - PMC [[pmc.ncbi.nlm.nih.gov](https://pubmed.ncbi.nlm.nih.gov/)]
- 19. [benchchem.com](https://www.benchchem.com) [[benchchem.com](https://www.benchchem.com)]
- To cite this document: BenchChem. [Technical Support Center: Interpreting PACAP (1-38) Signaling Data]. BenchChem, [2026]. [Online PDF]. Available at: [<https://www.benchchem.com/product/b13828911/docs#technical-support-center-interpreting-pacap-1-38-signaling-data>]

Disclaimer & Data Validity:

The information provided in this document is for Research Use Only (RUO) and is strictly not intended for diagnostic or therapeutic procedures. While BenchChem strives to provide accurate protocols, we make no warranties, express or implied, regarding the fitness of this product for every specific experimental setup.

Technical Support: The protocols provided are for reference purposes. Unsure if this reagent suits your experiment?

Need Industrial/Bulk Grade? [Request Custom Synthesis Quote](#)

BenchChem

Our mission is to be the trusted global source of essential and advanced chemicals, empowering scientists and researchers to drive progress in science and industry.

Contact

Address: 3281 E Guasti Rd
Ontario, CA 91761, United States
Phone: (601) 213-4426
Email: info@benchchem.com

[Contact our Ph.D. Support Team for a compatibility check](#)

