

Application Notes and Protocols for In Vitro Assays Using MBC-11 Trisodium

Author: BenchChem Technical Support Team. **Date:** April 2026

Compound of Interest

Compound Name: *MBC-11 trisodium*

Cat. No.: *B13386302*

[Get Quote](#)

For Researchers, Scientists, and Drug Development Professionals

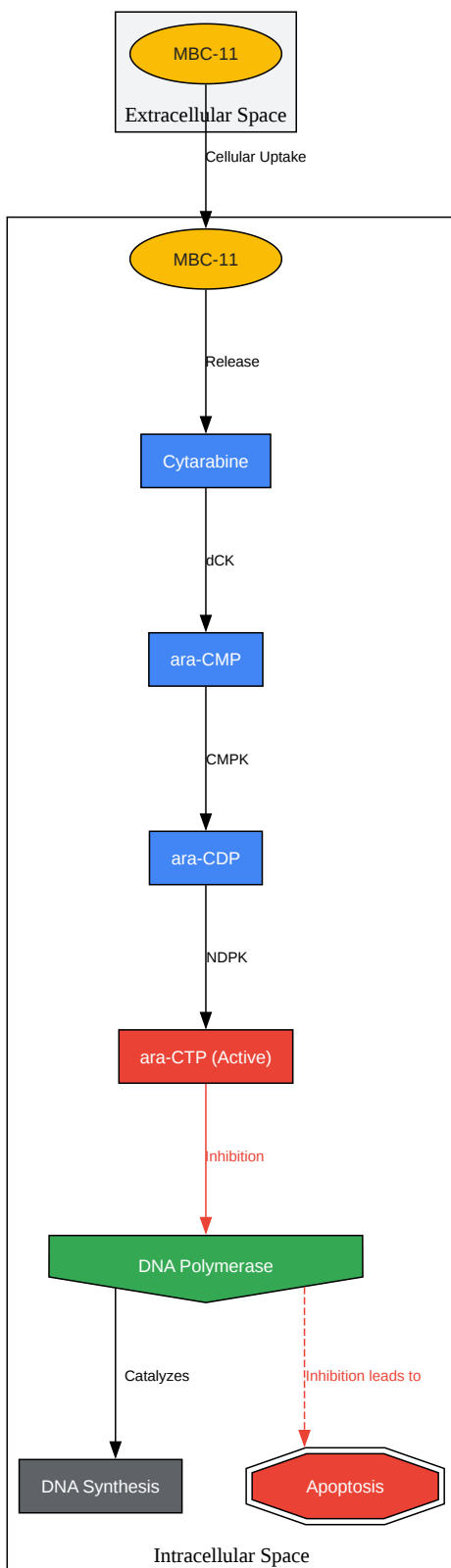
Introduction

MBC-11 trisodium is a novel bone-targeting conjugate of the chemotherapeutic agent cytarabine and the bisphosphonate etidronate. This conjugate is designed to deliver cytarabine preferentially to the bone matrix, thereby increasing its therapeutic concentration at sites of bone metastases and potentially reducing systemic toxicity. These application notes provide detailed protocols for in vitro assays to evaluate the efficacy and mechanism of action of **MBC-11 trisodium** in relevant cancer cell lines.

Mechanism of Action

MBC-11 trisodium exerts its cytotoxic effects primarily through the action of cytarabine, a nucleoside analog. As a conjugate, MBC-11 is anticipated to be internalized by cells where cytarabine is released and subsequently phosphorylated to its active form, cytarabine triphosphate (ara-CTP). Ara-CTP acts as a competitive inhibitor of DNA polymerase, becomes incorporated into the DNA strand, and ultimately terminates DNA chain elongation. This disruption of DNA synthesis and repair predominantly affects rapidly dividing cells, such as cancer cells, leading to cell cycle arrest in the S-phase and induction of apoptosis.^{[1][2][3][4]}

The etidronate component, in addition to its bone-targeting properties, may also contribute to cytotoxicity, potentially by being metabolized into cytotoxic ATP analogues.[5]



[Click to download full resolution via product page](#)

Caption: Proposed mechanism of action for **MBC-11 trisodium**.

Data Presentation

The following tables present hypothetical, yet representative, quantitative data for the in vitro activity of **MBC-11 trisodium** against relevant cancer cell lines. These values should serve as a reference for expected outcomes.

Table 1: IC50 Values of **MBC-11 Trisodium** in Various Cancer Cell Lines

Cell Line	Cancer Type	Incubation Time (h)	IC50 (μM)
MCF-7	Breast Cancer	72	5.2 ± 0.8
PC-3	Prostate Cancer	72	8.9 ± 1.2
Saos-2	Osteosarcoma	72	3.5 ± 0.5
HL-60	Leukemia	48	1.8 ± 0.3

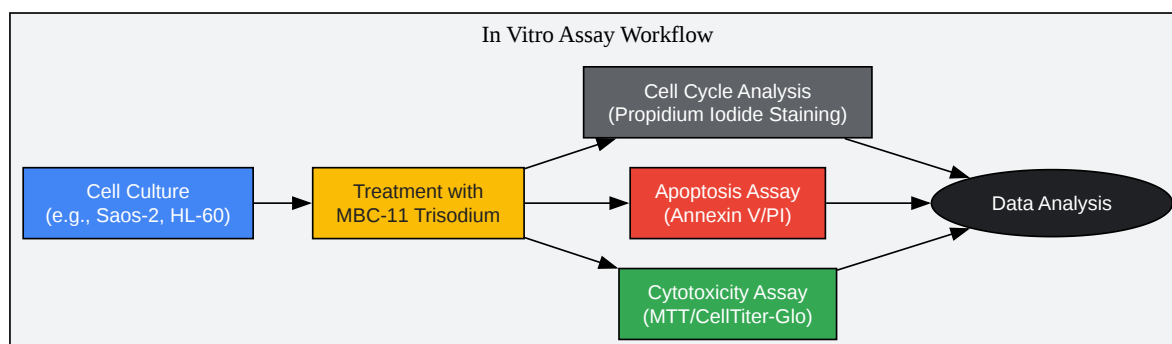
Table 2: Apoptosis Induction by **MBC-11 Trisodium** in Saos-2 Cells (24h Treatment)

Treatment Concentration (μM)	% Early Apoptotic Cells (Annexin V+/PI-)	% Late Apoptotic/Necrotic Cells (Annexin V+/PI+)
0 (Control)	3.1 ± 0.5	1.5 ± 0.3
1	10.2 ± 1.1	4.3 ± 0.7
5	25.8 ± 2.4	12.7 ± 1.5
10	42.5 ± 3.9	28.9 ± 3.1

Table 3: Cell Cycle Analysis of HL-60 Cells Treated with **MBC-11 Trisodium** (24h)

Treatment Concentration (μM)	% G0/G1 Phase	% S Phase	% G2/M Phase
0 (Control)	45.3 \pm 2.8	35.1 \pm 2.1	19.6 \pm 1.9
1	38.7 \pm 3.1	50.2 \pm 3.5	11.1 \pm 1.4
5	25.9 \pm 2.5	65.8 \pm 4.2	8.3 \pm 1.1

Experimental Protocols



[Click to download full resolution via product page](#)

Caption: General experimental workflow for in vitro evaluation of **MBC-11 trisodium**.

Cell Viability/Cytotoxicity Assay (MTT Assay)

Objective: To determine the dose-dependent cytotoxic effect of **MBC-11 trisodium** and calculate its IC50 value.

Principle: The MTT (3-(4,5-dimethylthiazol-2-yl)-2,5-diphenyltetrazolium bromide) assay is a colorimetric assay that measures the reduction of MTT by mitochondrial succinate dehydrogenase. The resulting intracellular purple formazan can be solubilized and quantified by spectrophotometry, thus giving an indication of the number of viable cells.

Materials:

- Cancer cell lines (e.g., MCF-7, PC-3, Saos-2, HL-60)
- Complete cell culture medium (e.g., DMEM or RPMI-1640 with 10% FBS)
- **MBC-11 trisodium** stock solution
- 96-well plates
- MTT solution (5 mg/mL in PBS)
- Solubilization solution (e.g., DMSO or 0.01 M HCl in 10% SDS)
- Microplate reader

Protocol:

- Seed cells in a 96-well plate at a density of 5,000-10,000 cells/well and allow them to adhere overnight.
- Prepare serial dilutions of **MBC-11 trisodium** in complete culture medium.
- Remove the existing medium from the cells and add 100 μ L of the various concentrations of **MBC-11 trisodium** to the wells. Include untreated control wells.
- Incubate the plate for 48-72 hours at 37°C in a 5% CO₂ incubator.
- Add 10 μ L of MTT solution to each well and incubate for 4 hours at 37°C.
- After the incubation, add 100 μ L of solubilization solution to each well and mix thoroughly to dissolve the formazan crystals.
- Measure the absorbance at 570 nm using a microplate reader.
- Calculate cell viability as a percentage of the untreated control and plot a dose-response curve to determine the IC₅₀ value.

Apoptosis Assay (Annexin V-FITC/Propidium Iodide Staining)

Objective: To quantify the induction of apoptosis by **MBC-11 trisodium**.

Principle: This flow cytometry-based assay uses Annexin V, which binds to phosphatidylserine exposed on the outer leaflet of the cell membrane during early apoptosis, and propidium iodide (PI), a fluorescent nucleic acid stain that can only enter cells with compromised membranes (late apoptotic or necrotic cells).

Materials:

- Cancer cell lines
- Complete cell culture medium
- **MBC-11 trisodium**
- 6-well plates
- Annexin V-FITC/PI Apoptosis Detection Kit
- Flow cytometer

Protocol:

- Seed cells in 6-well plates and allow them to adhere.
- Treat the cells with various concentrations of **MBC-11 trisodium** for 24-48 hours.
- Harvest the cells (including any floating cells in the supernatant) and wash them with cold PBS.
- Resuspend the cells in 1X binding buffer provided in the kit.
- Add Annexin V-FITC and PI to the cell suspension according to the manufacturer's instructions.

- Incubate the cells in the dark for 15 minutes at room temperature.
- Analyze the stained cells using a flow cytometer to differentiate between viable (Annexin V-/PI-), early apoptotic (Annexin V+/PI-), and late apoptotic/necrotic (Annexin V+/PI+) cell populations.

Cell Cycle Analysis (Propidium Iodide Staining)

Objective: To determine the effect of **MBC-11 trisodium** on cell cycle progression.

Principle: Propidium iodide stoichiometrically binds to DNA, and the amount of fluorescence is directly proportional to the DNA content in the cells. This allows for the differentiation of cells in the G0/G1, S, and G2/M phases of the cell cycle via flow cytometry.

Materials:

- Cancer cell lines
- Complete cell culture medium
- **MBC-11 trisodium**
- 6-well plates
- Cold 70% ethanol
- Propidium Iodide/RNase Staining Buffer
- Flow cytometer

Protocol:

- Seed cells in 6-well plates and treat with **MBC-11 trisodium** for 24 hours.
- Harvest the cells and wash with cold PBS.
- Fix the cells by adding them dropwise to ice-cold 70% ethanol while vortexing, and incubate for at least 2 hours at -20°C.

- Wash the fixed cells with PBS and resuspend them in Propidium Iodide/RNase Staining Buffer.
- Incubate for 30 minutes at room temperature in the dark.
- Analyze the DNA content of the cells using a flow cytometer.
- Use cell cycle analysis software to quantify the percentage of cells in each phase of the cell cycle.

Need Custom Synthesis?

BenchChem offers custom synthesis for rare earth carbides and specific isotopic labeling.

Email: info@benchchem.com or [Request Quote Online](#).

References

- [1. What is the mechanism of Cytarabine? \[synapse.patsnap.com\]](#)
- [2. Cytarabine - Mechanism, Indication, Contraindications, Dosing, Adverse Effect, Interaction, Renal Dose, Hepatic Dose | Drug Index | Pediatric Oncall \[pediatriconcall.com\]](#)
- [3. Cytarabine - Wikipedia \[en.wikipedia.org\]](#)
- [4. Response and Toxicity to Cytarabine Therapy in Leukemia and Lymphoma: From Dose Puzzle to Pharmacogenomic Biomarkers - PMC \[pmc.ncbi.nlm.nih.gov\]](#)
- [5. Antitumor effects of bisphosphonates - PubMed \[pubmed.ncbi.nlm.nih.gov\]](#)
- To cite this document: BenchChem. [Application Notes and Protocols for In Vitro Assays Using MBC-11 Trisodium]. BenchChem, [2026]. [Online PDF]. Available at: [\[https://www.benchchem.com/product/b13386302/docs#application-notes-and-protocols-for-in-vitro-assays-using-mbc-11-trisodium\]](https://www.benchchem.com/product/b13386302/docs#application-notes-and-protocols-for-in-vitro-assays-using-mbc-11-trisodium)

Disclaimer & Data Validity:

The information provided in this document is for Research Use Only (RUO) and is strictly not intended for diagnostic or therapeutic procedures. While BenchChem strives to provide accurate protocols, we make no warranties, express or implied, regarding the fitness of this product for every specific experimental setup.

Technical Support: The protocols provided are for reference purposes. Unsure if this reagent suits your experiment?

Need Industrial/Bulk Grade? [Request Custom Synthesis Quote](#)

BenchChem

Our mission is to be the trusted global source of essential and advanced chemicals, empowering scientists and researchers to drive progress in science and industry.

Contact

Address: 3281 E Guasti Rd
Ontario, CA 91761, United States
Phone: (601) 213-4426
Email: info@benchchem.com

[Contact our Ph.D. Support Team for a compatibility check](#)