

Technical Support Center: Refinement of ALK Inhibitor Screening Protocols

Author: BenchChem Technical Support Team. **Date:** April 2026

Compound of Interest

Compound Name: ALK inhibitor 1

CAS No.: 761436-81-1

Cat. No.: B1292740

[Get Quote](#)

This technical support center provides troubleshooting guides and frequently asked questions (FAQs) to assist researchers, scientists, and drug development professionals in refining their anaplastic lymphoma kinase (ALK) inhibitor screening protocols.

Frequently Asked Questions (FAQs)

Q1: What are the critical quality control parameters I should consider for my ALK inhibitor screening assay?

A1: To ensure the robustness and reliability of your screening data, you should focus on several key quality control parameters. The Z'-factor is a crucial metric for assessing assay quality, with a value between 0.5 and 1.0 indicating an excellent assay.^{[1][2][3]} The signal-to-background (S/B) ratio should ideally be greater than 2, and the signal-to-noise (S/N) ratio should be above 10.^[4] Additionally, the coefficient of variation (%CV) for your controls should be less than 15%.

Q2: Which ALK-positive cell lines are commonly used for cell-based inhibitor screening?

A2: Several well-characterized ALK-positive cell lines are available for screening purposes.

These include:

- Karpas-299: An anaplastic large cell lymphoma (ALCL) cell line with an NPM-ALK fusion.[5]
- SU-DHL-1: Another ALCL cell line expressing the NPM-ALK fusion protein.[6]
- NCI-H2228: A non-small cell lung cancer (NSCLC) cell line harboring an EML4-ALK variant 3a/b fusion.[7]
- STE-1: An NSCLC cell line with an EML4-ALK variant.

Q3: How can I minimize the "edge effect" in my cell-based assays?

A3: The edge effect, where wells on the perimeter of a microplate behave differently, is a common issue caused by evaporation.[8] To mitigate this, you can:

- Avoid using the outer wells of the plate.[8]
- Fill the outer wells with sterile liquid like PBS or media to create a humidity buffer.[9]
- Ensure your incubator has high humidity (at least 95%) and limit the frequency of door openings.[9]
- Use specialized microplates designed to reduce evaporation.[9]
- Pre-incubate newly seeded plates at room temperature before placing them in the incubator to allow for even cell distribution.[10]

Troubleshooting Guides

Biochemical Assays (e.g., LANCE Ultra, HTRF)

Issue	Potential Cause(s)	Troubleshooting Steps
High Background Signal	<ul style="list-style-type: none"> - Reagent impurity or degradation. - Compound interference (autofluorescence). - Incorrect instrument settings. 	<ul style="list-style-type: none"> - Use fresh, high-purity reagents. - Run a counter-screen without the enzyme to identify interfering compounds. [11]- Ensure correct filter sets and instrument settings are used for TR-FRET assays.[12]
Low Signal or Poor Assay Window	<ul style="list-style-type: none"> - Suboptimal enzyme or substrate concentration. - Inactive enzyme. - Incorrect buffer conditions (pH, cofactors). 	<ul style="list-style-type: none"> - Titrate enzyme and substrate concentrations to determine optimal levels. - Verify enzyme activity with a known potent inhibitor. - Ensure the assay buffer composition is optimal for ALK activity.[13]
High Well-to-Well Variability	<ul style="list-style-type: none"> - Pipetting errors. - Incomplete mixing of reagents. - Temperature gradients across the plate. 	<ul style="list-style-type: none"> - Use calibrated pipettes and consider automated liquid handlers for better precision. - Ensure thorough mixing of all reagents before and after addition to the plate. - Allow plates to equilibrate to room temperature before reading.
Inconsistent IC50 Values	<ul style="list-style-type: none"> - Compound instability or precipitation. - Substrate depletion. - Assay drift over time. 	<ul style="list-style-type: none"> - Check compound solubility in the assay buffer. - Ensure the kinase reaction is in the linear range and substrate is not depleted. - Process plates consistently and in a timely manner.

Cell-Based Assays

Issue	Potential Cause(s)	Troubleshooting Steps
Inconsistent Cell Growth	<ul style="list-style-type: none"> - Uneven cell seeding.- "Edge effect" due to evaporation.- Cell line instability or high passage number. 	<ul style="list-style-type: none"> - Ensure a homogenous cell suspension before and during seeding.- Implement strategies to minimize the edge effect (see FAQ A3).- Use cells with a low passage number and monitor their growth characteristics.[14]
High Variability in Viability Readings	<ul style="list-style-type: none"> - Inconsistent incubation times.- Compound cytotoxicity at high concentrations.- Uneven distribution of viability reagent. 	<ul style="list-style-type: none"> - Adhere to a strict timeline for reagent addition and plate reading.- Perform a preliminary cytotoxicity screen of your compounds.- Ensure proper mixing of the viability reagent in each well.
Low Potency of Control Inhibitors	<ul style="list-style-type: none"> - Cell line resistance.- Incorrect inhibitor concentration.- Degraded inhibitor stock solution. 	<ul style="list-style-type: none"> - Verify the ALK fusion status of your cell line.- Confirm the concentration of your inhibitor stock.- Prepare fresh inhibitor dilutions from a new stock.
False Positives or Negatives	<ul style="list-style-type: none"> - Compound interference with the viability assay chemistry.- Off-target effects of the compounds. 	<ul style="list-style-type: none"> - Use an orthogonal cell viability assay to confirm hits (e.g., ATP-based vs. dye-based).- Profile hits against a panel of kinases to assess selectivity.

Data Presentation

Table 1: Assay Quality Control Parameters

Parameter	Acceptance Criteria	Reference
Z'-Factor	0.5 - 1.0 (Excellent)	[2][3]
Signal-to-Background (S/B) Ratio	> 2	[4]
Signal-to-Noise (S/N) Ratio	> 10	[4]
% Coefficient of Variation (%CV)	< 15%	[4]

Table 2: IC50 Values of Reference ALK Inhibitors in Biochemical Assays

Inhibitor	ALK IC50 (nM)	ALK L1196M IC50 (nM)	ALK G1202R IC50 (nM)
Crizotinib	~40	-	-
Alectinib	1.9	-	-
Lorlatinib	2.3	12	26

Note: IC50 values can vary depending on the specific assay conditions and recombinant protein used.

Table 3: IC50 Values of Reference ALK Inhibitors in Cell-Based Assays

Inhibitor	Karpas-299 (NPM-ALK)	SU-DHL-1 (NPM-ALK)	NCI-H2228 (EML4-ALK)
Crizotinib	~280 nM	~10 ng/mL (~22 nM)	~1.36 μM (Resistant Line)
Alectinib	-	-	~240 nM
Lorlatinib	-	-	-

Note: IC50 values are highly dependent on the cell line, culture conditions, and assay duration.

[6][15]

Experimental Protocols

ALK LANCE Ultra Biochemical Assay Protocol

- Reagent Preparation:
 - Prepare 1X Kinase Buffer (e.g., 50 mM HEPES pH 7.5, 10 mM MgCl₂, 1 mM EGTA, 2 mM DTT, 0.01% Tween-20).
 - Dilute ALK enzyme and ULight™-peptide substrate in Kinase Buffer.
 - Prepare a serial dilution of the test compound in Kinase Buffer.
 - Prepare a 4X ATP solution in Kinase Buffer.
 - Prepare a 4X EDTA stop solution in 1X LANCE Detection Buffer.
 - Prepare a 4X Eu-anti-phospho-peptide antibody solution in 1X LANCE Detection Buffer.
- Kinase Reaction:
 - Add 2.5 μL of 4X test compound to the wells of a 384-well microplate.
 - Add 2.5 μL of 4X ALK enzyme solution.
 - Add 2.5 μL of 4X ULight™-peptide substrate.
 - Initiate the reaction by adding 2.5 μL of 4X ATP solution.
 - Incubate for 60 minutes at room temperature.
- Detection:
 - Stop the reaction by adding 10 μL of 2X Stop/Detection Mix (EDTA and Eu-antibody).
 - Incubate for 60 minutes at room temperature.

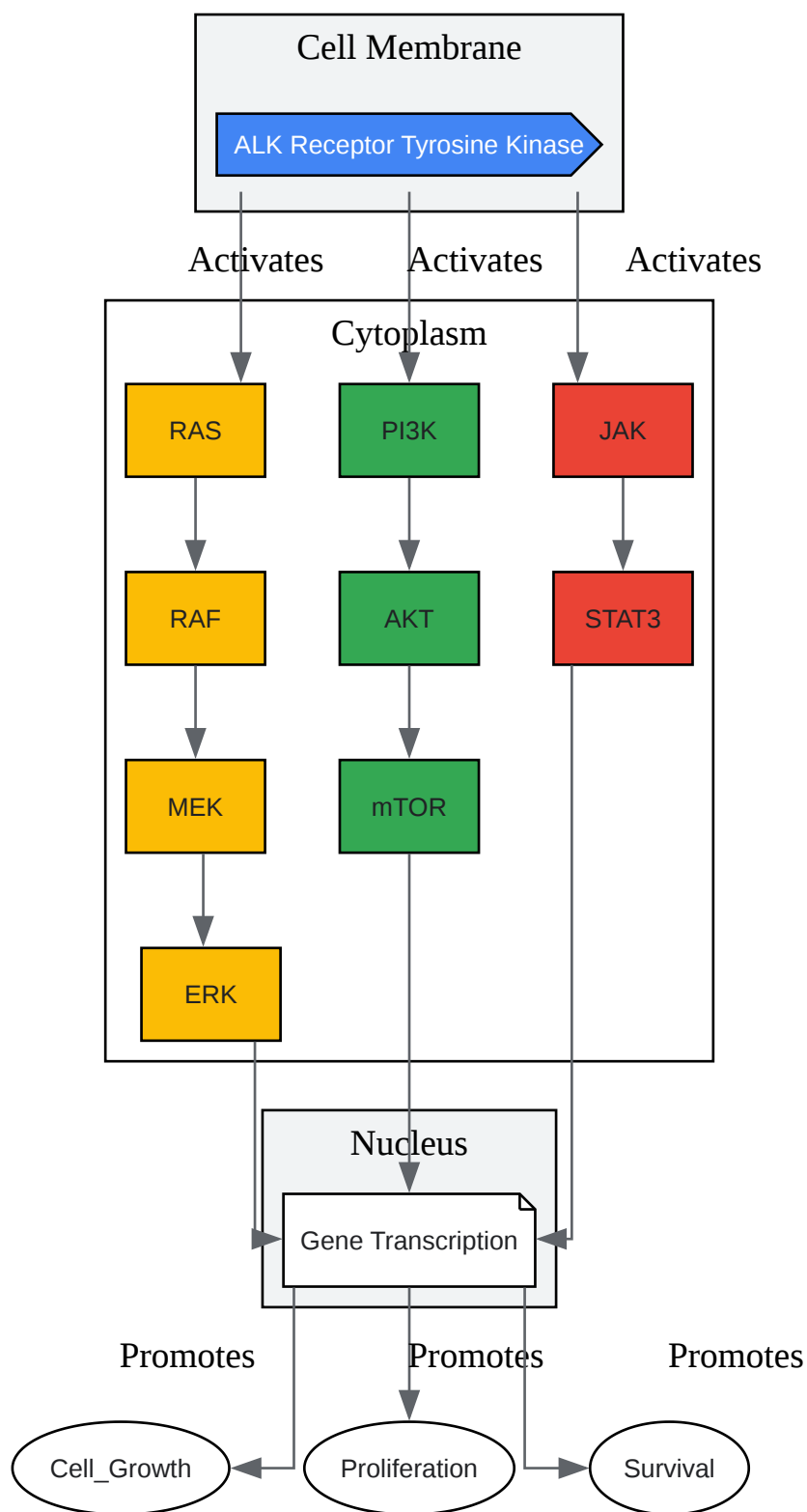
- Read the plate on a TR-FRET compatible plate reader (Excitation: 320 nm, Emission: 615 nm and 665 nm).

Cell Viability Assay Protocol (using Karpas-299 cells)

- Cell Seeding:
 - Culture Karpas-299 cells in RPMI-1640 medium supplemented with 10% FBS and 1% Penicillin-Streptomycin.
 - Centrifuge the cells and resuspend in fresh medium to the desired density.
 - Seed the cells into a 96-well plate at an optimized density (e.g., 10,000 cells/well) in 100 μ L of medium.
- Compound Treatment:
 - Prepare a serial dilution of the ALK inhibitor in culture medium.
 - Add the desired volume of the compound dilutions to the wells.
 - Include vehicle control (e.g., DMSO) and untreated control wells.
 - Incubate the plate for 72 hours at 37°C in a humidified 5% CO₂ incubator.
- Viability Measurement (using a resazurin-based reagent):
 - Add 20 μ L of the resazurin-based viability reagent to each well.
 - Incubate for 2-4 hours at 37°C.
 - Measure the fluorescence on a plate reader with appropriate excitation and emission wavelengths (e.g., 560 nm excitation / 590 nm emission).
- Data Analysis:
 - Subtract the background fluorescence (media only wells).
 - Normalize the data to the vehicle control wells (100% viability).

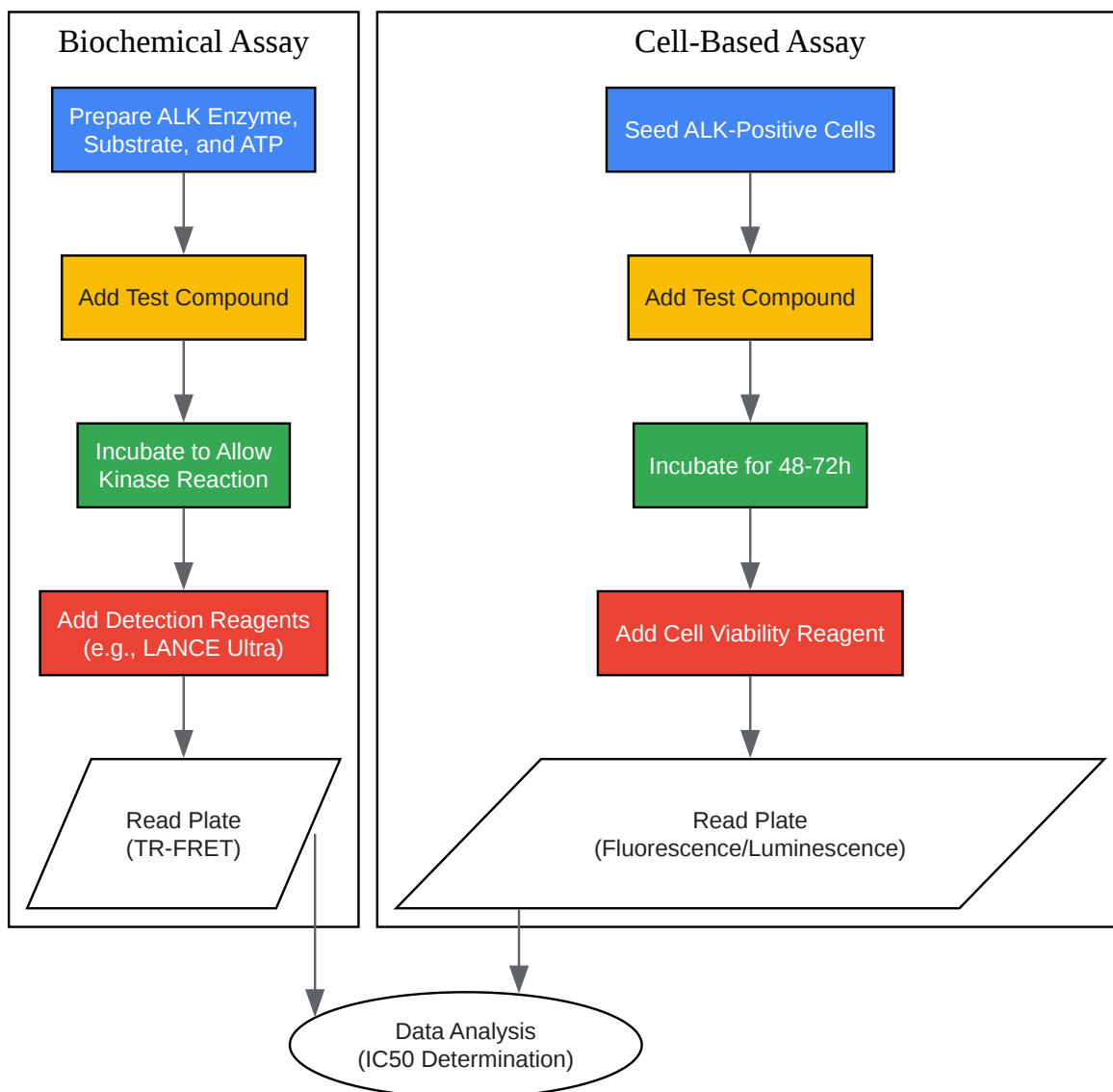
- Plot the normalized data against the logarithm of the inhibitor concentration and fit a dose-response curve to determine the IC₅₀ value.

Mandatory Visualizations



[Click to download full resolution via product page](#)

Caption: Simplified ALK signaling pathway in cancer.



[Click to download full resolution via product page](#)

Caption: General experimental workflow for ALK inhibitor screening.

Need Custom Synthesis?

BenchChem offers custom synthesis for rare earth carbides and specific isotopic labeling.

Email: info@benchchem.com or [Request Quote Online](#).

References

- [1. Z-factors – BIT 479/579 High-throughput Discovery \[htds.wordpress.ncsu.edu\]](#)
- [2. Calculating a Z-factor to assess the quality of a screening assay. - FAQ 1153 - GraphPad \[graphpad.com\]](#)
- [3. bmglabtech.com \[bmglabtech.com\]](#)
- [4. researchgate.net \[researchgate.net\]](#)
- [5. Cellosaurus cell line Karpas-299 \(CVCL_1324\) \[cellosaurus.org\]](#)
- [6. First-dose and steady-state pharmacokinetics of orally administered crizotinib in children with solid tumors: a report on ADVL0912 from the Children's Oncology Group Phase 1/Pilot Consortium - PMC \[pmc.ncbi.nlm.nih.gov\]](#)
- [7. aacrjournals.org \[aacrjournals.org\]](#)
- [8. Beating the edge effect | Laboratory News \[labnews.co.uk\]](#)
- [9. Reducing the edge effect - Advancing Cell Culture \[thermofisher.com\]](#)
- [10. neuroprobe.com \[neuroprobe.com\]](#)
- [11. bellbrooklabs.com \[bellbrooklabs.com\]](#)
- [12. Drug Discovery Assays Support—Troubleshooting | Thermo Fisher Scientific - US \[thermofisher.com\]](#)
- [13. Biochemical assays for kinase activity detection - Celtarys \[celtarys.com\]](#)
- [14. m.youtube.com \[m.youtube.com\]](#)
- [15. researchgate.net \[researchgate.net\]](#)
- [To cite this document: BenchChem. \[Technical Support Center: Refinement of ALK Inhibitor Screening Protocols\]. BenchChem, \[2026\]. \[Online PDF\]. Available at: \[https://www.benchchem.com/product/b1292740/docs#technical-support-center-refinement-of-alk-inhibitor-screening-protocols\]](#)

Disclaimer & Data Validity:

The information provided in this document is for Research Use Only (RUO) and is strictly not intended for diagnostic or therapeutic procedures. While BenchChem strives to provide accurate protocols, we make no warranties, express or implied, regarding the fitness of this product for every specific experimental setup.

Technical Support: The protocols provided are for reference purposes. Unsure if this reagent suits your experiment?

Need Industrial/Bulk Grade? [Request Custom Synthesis Quote](#)

BenchChem

Our mission is to be the trusted global source of essential and advanced chemicals, empowering scientists and researchers to drive progress in science and industry.

Contact

Address: 3281 E Guasti Rd

Ontario, CA 91761, United States

Phone: (601) 213-4426

Email: info@benchchem.com

[Contact our Ph.D. Support Team for a compatibility check](#)