

Validating the Inhibitory Effect of Cathepsin L-IN-3: A Comparative Guide

Author: BenchChem Technical Support Team. **Date:** April 2026

Compound of Interest

Compound Name: *Cathepsin L-IN-3*

Cat. No.: *B1277936*

[Get Quote](#)

For Researchers, Scientists, and Drug Development Professionals

This guide provides a comprehensive, data-driven comparison of **Cathepsin L-IN-3** and other commercially available Cathepsin L inhibitors. Cathepsin L, a lysosomal cysteine protease, is a key enzyme implicated in a variety of pathological processes, including cancer progression, invasion, and metastasis, as well as viral entry and autophagy.[1][2][3] Its overexpression and aberrant activity in numerous diseases make it a compelling target for therapeutic intervention. This document summarizes the biochemical and cellular performance data for **Cathepsin L-IN-3** and its alternatives, details the experimental protocols for their validation, and visualizes the key signaling pathways involved.

Quantitative Performance Data of Cathepsin L Inhibitors

The following table summarizes key biochemical and kinetic parameters for **Cathepsin L-IN-3** and a selection of alternative inhibitors based on available experimental data. Direct comparison of absolute values should be approached with caution as experimental conditions can vary between studies.

Inhibitor	Synonym (s)	Mechanism of Action	Target	IC50	K _i	Reference(s)
Cathepsin L-IN-3	Z-Phe-Tyr(t-Bu)-diazomethylketone; Z-FY(tBu)-DMK	Irreversible	Human Cathepsin L	Potent inhibitor	-	[4][5]
SID 26681509	-	Reversible, competitive, slow-binding	Human Cathepsin L	56 nM (no pre-incubation), 1.0 nM (4-hour pre-incubation)	0.89 nM	[6][7][8]
KGP94	-	Reversible	Cathepsin L	189 nM	Not Reported	[7]
Z-FY-CHO	Z-Phe-Tyr-CHO	Potent and specific	Cathepsin L	-	-	[5][8][9]
Calpain Inhibitor XII	-	Covalent	Cathepsin L	-	Picomolar range	[10]
MG-101	-	Aldehyde inhibitor	Cathepsin L	-	Low nanomolar range	[10]

Experimental Protocols for Validating Inhibitory Effect

Objective validation of a Cathepsin L inhibitor requires a combination of biochemical and cell-based assays. Below are detailed methodologies for key experiments.

Biochemical Assay: In Vitro Fluorometric Inhibition Assay

This assay directly measures the ability of an inhibitor to block the enzymatic activity of purified Cathepsin L.

Principle: Active Cathepsin L cleaves a fluorogenic peptide substrate, such as Z-Phe-Arg-AMC (Z-FR-AMC) or Ac-FR-AFC, releasing a fluorescent molecule (AMC or AFC). The inhibitor's potency is determined by quantifying the reduction in fluorescence.[10]

Materials:

- Purified human Cathepsin L
- Fluorogenic substrate (e.g., Z-Phe-Arg-AMC)
- Assay Buffer (e.g., 50 mM MES, 5 mM DTT, 1 mM EDTA, pH 6.0)
- **Cathepsin L-IN-3** and other inhibitors
- 96-well black microplate
- Fluorescence microplate reader

Protocol:

- Enzyme Activation: Dilute purified human Cathepsin L in assay buffer and incubate on ice for 15 minutes to ensure activation.
- Inhibitor Preparation: Prepare a serial dilution of **Cathepsin L-IN-3** and other test compounds in the assay buffer.
- Reaction Mixture: In a 96-well plate, add the activated Cathepsin L to wells containing the various concentrations of the inhibitors. Include a control group with no inhibitor.
- Pre-incubation (for time-dependent inhibitors): Incubate the enzyme-inhibitor mixture for a defined period (e.g., 30 minutes) at room temperature. For slow-binding inhibitors like SID

26681509, a longer pre-incubation (e.g., 4 hours) may be necessary to achieve maximal inhibition.[6][7]

- **Substrate Addition:** Initiate the enzymatic reaction by adding the fluorogenic substrate to all wells.
- **Fluorescence Measurement:** Immediately begin monitoring the increase in fluorescence over time using a microplate reader (e.g., Excitation: 355-380 nm, Emission: 450-460 nm for AMC).
- **Data Analysis:** Calculate the initial reaction rates (V_i) from the linear phase of the fluorescence curve. Determine the percent inhibition for each inhibitor concentration relative to the no-inhibitor control. Plot the percent inhibition against the logarithm of the inhibitor concentration and fit the data to a dose-response curve to calculate the IC50 value.

Cell-Based Assay: Intracellular Cathepsin L Activity Assay

This assay validates the inhibitor's ability to penetrate the cell membrane and inhibit Cathepsin L activity within a cellular context.

Principle: A cell-permeant, non-cytotoxic substrate, such as the "Magic Red" reagent which contains the (z-FR)₂ peptide linked to a cresyl violet fluorophore, is used. Upon cleavage by active intracellular Cathepsin L, the fluorophore is released and becomes fluorescent. The inhibitory effect is measured by the reduction in intracellular fluorescence.

Materials:

- Cell line with known Cathepsin L expression (e.g., various cancer cell lines)
- Cell culture medium and supplements
- **Cathepsin L-IN-3** and other inhibitors
- Magic Red™ Cathepsin L Assay Kit (or similar)
- Hoechst 33342 (for nuclear staining, optional)

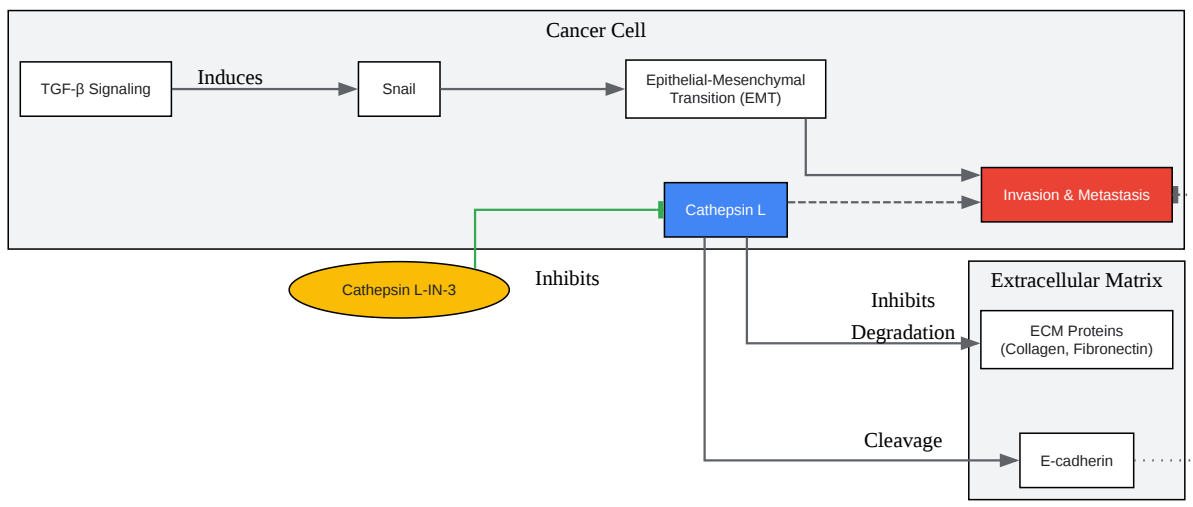
- Fluorescence microscope or flow cytometer

Protocol:

- Cell Culture: Plate cells in a suitable format (e.g., 96-well plate or chamber slides) and allow them to adhere overnight.
- Inhibitor Treatment: Treat the cells with varying concentrations of **Cathepsin L-IN-3** or other inhibitors for a predetermined time (e.g., 2-24 hours). Include a vehicle-treated control group.
- Substrate Loading: Add the cell-permeant Cathepsin L substrate (e.g., Magic Red) directly to the cell culture medium and incubate according to the manufacturer's instructions (typically 30-60 minutes).
- Cell Staining (Optional): If desired, co-stain with Hoechst 33342 to visualize the nuclei.
- Imaging and Analysis:
 - Fluorescence Microscopy: Wash the cells with buffer and visualize the intracellular red fluorescence. Capture images and quantify the fluorescence intensity per cell.
 - Flow Cytometry: Harvest the cells, wash with buffer, and analyze the red fluorescence on a flow cytometer.
- Data Analysis: Determine the mean fluorescence intensity for each treatment group. Calculate the percent inhibition relative to the vehicle-treated control and determine the IC50 value in the cellular context.

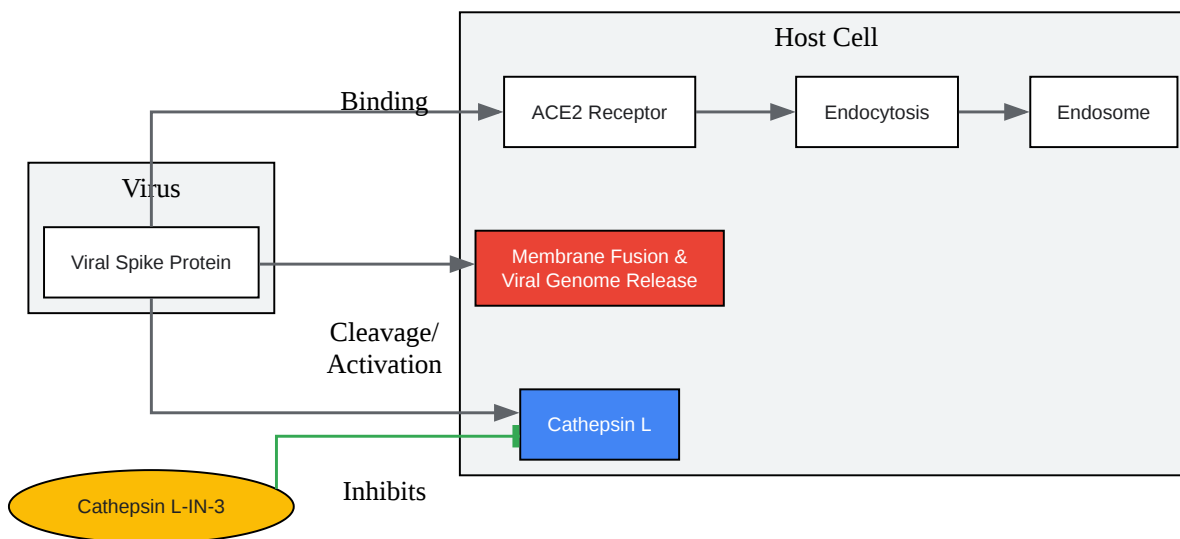
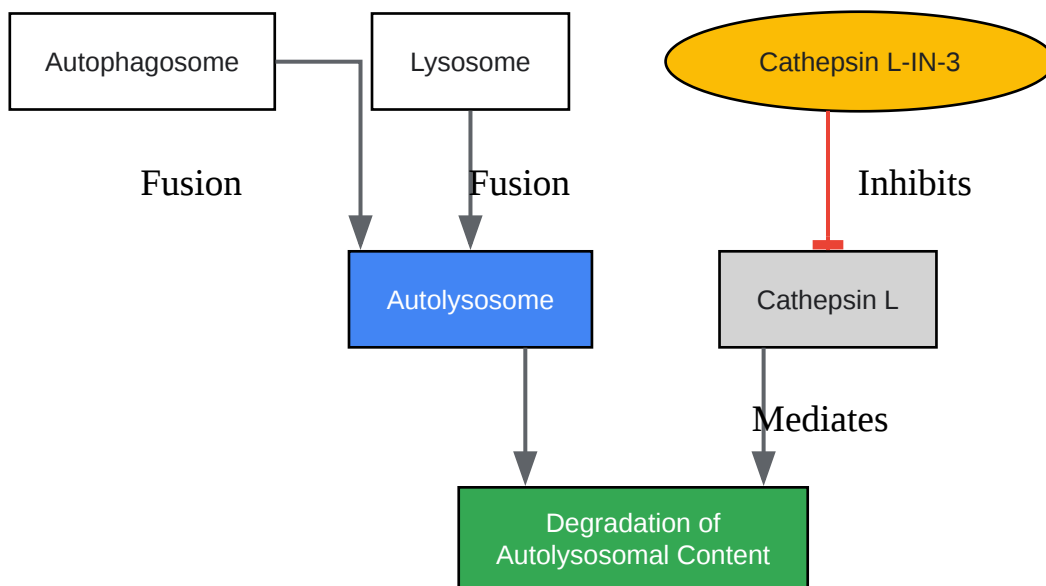
Visualization of Key Signaling Pathways and Experimental Workflows

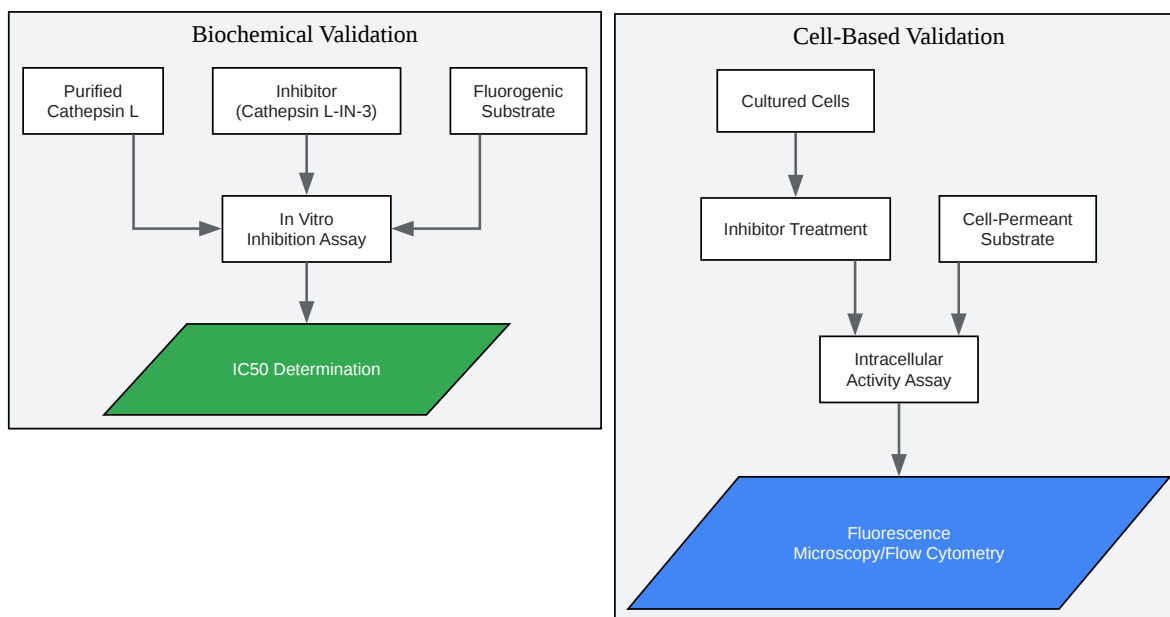
The following diagrams, generated using the DOT language, illustrate the role of Cathepsin L in various cellular processes and provide a visual representation of the experimental workflows for inhibitor validation.



[Click to download full resolution via product page](#)

Caption: Role of Cathepsin L in Cancer Metastasis.





[Click to download full resolution via product page](#)

Need Custom Synthesis?

BenchChem offers custom synthesis for rare earth carbides and specific isotopic labeling.

Email: info@benchchem.com or [Request Quote Online](#).

References

- [1. Cathepsin L targeting in cancer treatment - PMC \[pmc.ncbi.nlm.nih.gov\]](#)
- [2. tandfonline.com \[tandfonline.com\]](#)
- [3. Frontiers | Cathepsin L in COVID-19: From Pharmacological Evidences to Genetics \[frontiersin.org\]](#)

- [4. weibosci.com \[weibosci.com\]](http://weibosci.com)
- [5. medchemexpress.com \[medchemexpress.com\]](http://medchemexpress.com)
- [6. med.unc.edu \[med.unc.edu\]](http://med.unc.edu)
- [7. benchchem.com \[benchchem.com\]](http://benchchem.com)
- [8. Targeting Cathepsin L in Cancer Management: Leveraging Machine Learning, Structure-Based Virtual Screening, and Molecular Dynamics Studies - PMC \[pmc.ncbi.nlm.nih.gov\]](https://pubmed.ncbi.nlm.nih.gov/)
- [9. medchemexpress.com \[medchemexpress.com\]](http://medchemexpress.com)
- [10. Structural Elucidation and Antiviral Activity of Covalent Cathepsin L Inhibitors - PMC \[pmc.ncbi.nlm.nih.gov\]](https://pubmed.ncbi.nlm.nih.gov/)
- [To cite this document: BenchChem. \[Validating the Inhibitory Effect of Cathepsin L-IN-3: A Comparative Guide\]. BenchChem, \[2026\]. \[Online PDF\]. Available at: \[https://www.benchchem.com/product/b1277936/docs#validating-the-inhibitory-effect-of-cathepsin-l-in-3-a-comparative-guide\]](#)

Disclaimer & Data Validity:

The information provided in this document is for Research Use Only (RUO) and is strictly not intended for diagnostic or therapeutic procedures. While BenchChem strives to provide accurate protocols, we make no warranties, express or implied, regarding the fitness of this product for every specific experimental setup.

Technical Support: The protocols provided are for reference purposes. Unsure if this reagent suits your experiment?

Need Industrial/Bulk Grade? [Request Custom Synthesis Quote](#)

BenchChem

Our mission is to be the trusted global source of essential and advanced chemicals, empowering scientists and researchers to drive progress in science and industry.

Contact

Address: 3281 E Guasti Rd
Ontario, CA 91761, United States
Phone: (601) 213-4426
Email: info@benchchem.com

Contact our Ph.D. Support Team for a compatibility check