

Application Note: Chiral HPLC Method for the Quantification of (S)-Mabuterol

Author: BenchChem Technical Support Team. **Date:** April 2026

Compound of Interest

Compound Name: (S)-Mabuterol

CAS No.: 56707-25-6

Cat. No.: B12763415

[Get Quote](#)

Abstract

This application note details a robust and sensitive High-Performance Liquid Chromatography (HPLC) method for the enantioselective quantification of **(S)-Mabuterol** in biological matrices. The described protocol utilizes a chiral stationary phase to achieve baseline separation of the (R)- and (S)-enantiomers of Mabuterol, enabling accurate quantification of the (S)-isomer. This method is particularly relevant for pharmacokinetic studies, drug metabolism research, and quality control of pharmaceutical formulations where the stereospecific action of Mabuterol is of interest. The protocol includes detailed steps for sample preparation, instrument setup, and method validation.

Introduction

Mabuterol is a beta-2 adrenergic agonist with bronchodilator properties. Like many pharmaceuticals, it is a chiral compound, existing as two enantiomers, (R)-Mabuterol and **(S)-Mabuterol**. The pharmacological activity of these enantiomers can differ significantly, with one enantiomer often being responsible for the therapeutic effects while the other may be less active or contribute to side effects. Therefore, the ability to separate and quantify the individual

enantiomers is crucial for understanding its pharmacokinetic and pharmacodynamic profile. This application note provides a detailed HPLC method for the specific quantification of **(S)-Mabuterol**.

Experimental

Materials and Reagents

- **(S)-Mabuterol** and (R)-Mabuterol reference standards
- Acetonitrile (HPLC grade)
- Methanol (HPLC grade)
- Triethylamine (TEA)
- Formic acid
- Ammonium acetate
- Water (HPLC grade)
- Solid-Phase Extraction (SPE) cartridges (e.g., C18)
- β -Glucuronidase (for urine samples)

Instrumentation

A standard HPLC system equipped with a UV or mass spectrometry (MS) detector is required.

- HPLC System: Agilent 1260 Infinity II or equivalent
- Chiral Column: Chirobiotic V (250 x 4.6 mm, 5 μ m)[1][2][3]
- Detector: UV-Vis Detector or Mass Spectrometer

Chromatographic Conditions

A sequential achiral and chiral HPLC approach can be employed for complex matrices like plasma to first separate Mabuterol from endogenous substances before chiral separation.[1][2]

For simpler matrices or as the second stage of the sequential method, the following chiral separation conditions are recommended:

Parameter	Condition
Column	Chirobiotic V (250 x 4.6 mm, 5 µm)
Mobile Phase	Methanol:Acetonitrile:Triethylamine (80:20:0.05, v/v/v)
Flow Rate	1.0 mL/min
Column Temperature	25°C
Detection	UV at 242 nm or MS/MS
Injection Volume	20 µL

Protocols

Standard Solution Preparation

- Stock Solution (1 mg/mL): Accurately weigh and dissolve 10 mg of **(S)-Mabuterol** reference standard in 10 mL of methanol.
- Working Standard Solutions: Prepare a series of working standard solutions by serially diluting the stock solution with the mobile phase to achieve concentrations ranging from 0.1 µg/mL to 100 µg/mL.

Sample Preparation (from Plasma)

- Protein Precipitation: To 500 µL of plasma sample, add 1 mL of ice-cold acetonitrile.
- Vortex: Vortex the mixture for 1 minute to precipitate proteins.
- Centrifugation: Centrifuge at 10,000 rpm for 10 minutes at 4°C.
- Supernatant Collection: Carefully collect the supernatant.

- **Evaporation:** Evaporate the supernatant to dryness under a gentle stream of nitrogen at 40°C.
- **Reconstitution:** Reconstitute the residue in 200 µL of the mobile phase.
- **Filtration:** Filter the reconstituted sample through a 0.22 µm syringe filter before injection into the HPLC system.

Sample Preparation (from Urine)

For urine samples, an enzymatic hydrolysis step may be necessary to cleave conjugated metabolites.

- **Hydrolysis:** To 1 mL of urine, add 50 µL of β-glucuronidase and 5 mL of 0.05 M acetate buffer (pH 5.2). Incubate overnight at 37°C.
- **pH Adjustment:** Adjust the pH of the hydrolyzed sample to approximately 6.7.
- **Solid-Phase Extraction (SPE):**
 - Condition a C18 SPE cartridge with 5 mL of methanol followed by 5 mL of water.
 - Load the pre-treated urine sample onto the cartridge.
 - Wash the cartridge with 5 mL of water.
 - Elute the analyte with 5 mL of methanol containing 10% acetic acid.
- **Evaporation and Reconstitution:** Evaporate the eluate to dryness and reconstitute in the mobile phase as described for plasma samples.

Method Validation

The analytical method should be validated according to ICH guidelines, including the following parameters:

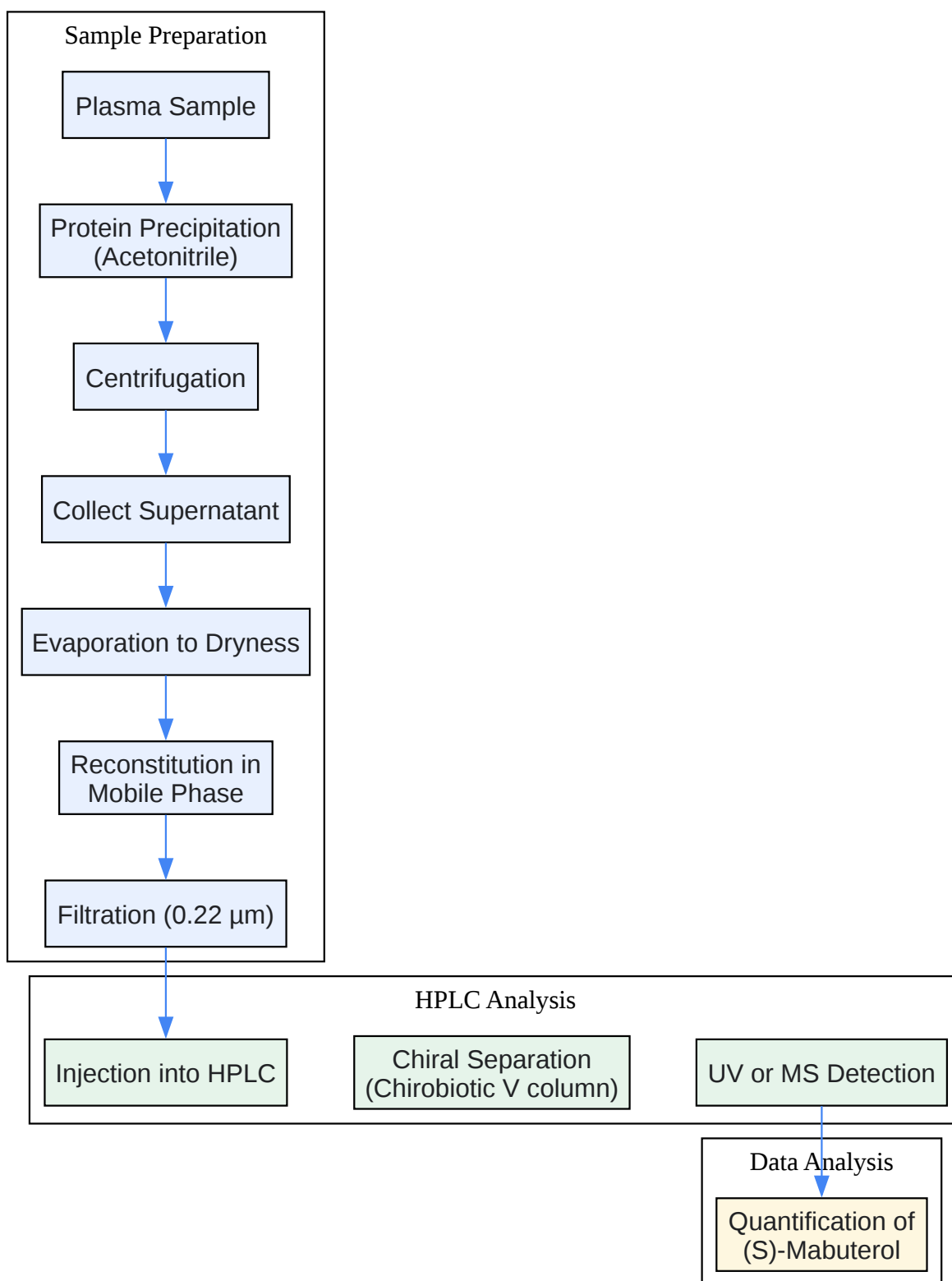
Parameter	Typical Results
Linearity	$R^2 > 0.99$ over the concentration range
Accuracy (Recovery)	90-110%
Precision (RSD)	< 15% for both intra-day and inter-day precision
Limit of Detection (LOD)	Dependent on detector, typically in the low ng/mL range
Limit of Quantification (LOQ)	Dependent on detector, typically in the low ng/mL range

Data Presentation

The quantification of **(S)-Mabuterol** is achieved by constructing a calibration curve from the peak areas of the working standard solutions. The concentration of **(S)-Mabuterol** in the unknown samples is then determined by interpolating their peak areas on the calibration curve.

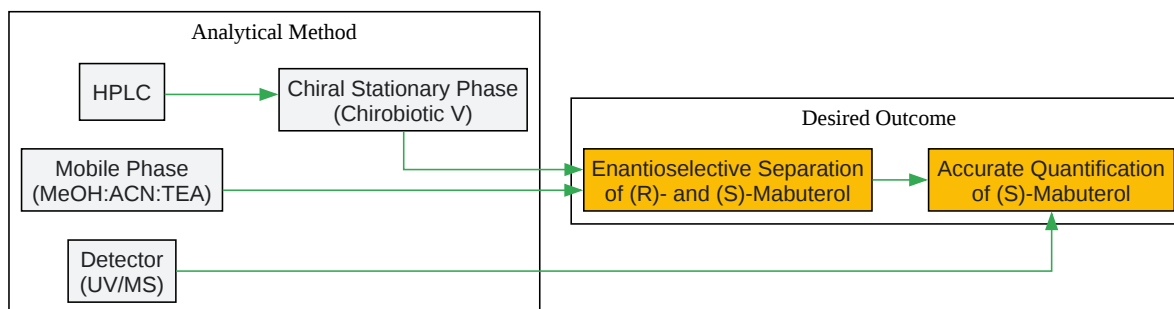
Sample ID	Peak Area	Calculated Concentration (µg/mL)
Standard 1		
Standard 2		
...		
Sample 1		
Sample 2		

Visualizations



[Click to download full resolution via product page](#)

Caption: Experimental workflow for the quantification of **(S)-Mabuterol**.



[Click to download full resolution via product page](#)

Caption: Logical relationship of the HPLC method components.

Conclusion

The described HPLC method provides a reliable and reproducible approach for the enantioselective quantification of **(S)-Mabuterol**. The use of a chiral stationary phase is effective in resolving the enantiomers, and the detailed sample preparation protocols are suitable for biological matrices. This application note serves as a comprehensive guide for researchers and analysts in the fields of pharmaceutical analysis, pharmacokinetics, and drug development.

Need Custom Synthesis?

BenchChem offers custom synthesis for rare earth carbides and specific isotopic labeling.

Email: info@benchchem.com or [Request Quote Online](#).

References

- 1. [Enantioselective pharmacokinetics of mabuterol in rats studied using sequential achiral and chiral HPLC - PubMed \[pubmed.ncbi.nlm.nih.gov\]](#)
- 2. [researchgate.net \[researchgate.net\]](#)

- [3. researchgate.net \[researchgate.net\]](https://www.researchgate.net)
- To cite this document: BenchChem. [Application Note: Chiral HPLC Method for the Quantification of (S)-Mabuterol]. BenchChem, [2026]. [Online PDF]. Available at: [<https://www.benchchem.com/product/b12763415/docs#application-note-chiral-hplc-method-for-the-quantification-of-s-mabuterol>]

Disclaimer & Data Validity:

The information provided in this document is for Research Use Only (RUO) and is strictly not intended for diagnostic or therapeutic procedures. While BenchChem strives to provide accurate protocols, we make no warranties, express or implied, regarding the fitness of this product for every specific experimental setup.

Technical Support: The protocols provided are for reference purposes. Unsure if this reagent suits your experiment?

Need Industrial/Bulk Grade? [Request Custom Synthesis Quote](#)

BenchChem

Our mission is to be the trusted global source of essential and advanced chemicals, empowering scientists and researchers to drive progress in science and industry.

Contact

Address: 3281 E Guasti Rd
Ontario, CA 91761, United States
Phone: (601) 213-4426
Email: info@benchchem.com

[Contact our Ph.D. Support Team for a compatibility check](#)