

Technical Support Center: Dithiodiglycolic Acid Synthesis

Author: BenchChem Technical Support Team. **Date:** May 2026

Compound of Interest

Compound Name: *Dithiodiglycolic acid*

CAS No.: 505-73-7

Cat. No.: B1265770

[Get Quote](#)

This technical support center provides troubleshooting guidance and frequently asked questions (FAQs) to assist researchers, scientists, and drug development professionals in minimizing byproducts during the synthesis of **dithiodiglycolic acid**.

Frequently Asked Questions (FAQs)

Q1: What is the primary method for synthesizing **dithiodiglycolic acid**?

A1: The most common and established method for synthesizing **dithiodiglycolic acid** is through the oxidation of thioglycolic acid (also known as mercaptoacetic acid).[1][2] This reaction typically employs an oxidizing agent, such as hydrogen peroxide, and may be catalyzed by a metal salt.[1]

Q2: What are the common byproducts in **dithiodiglycolic acid** synthesis?

A2: The principal byproduct of concern is thiodiglycolic acid.[3][4][5] Over-oxidation can also potentially lead to the formation of sulfoxides and other related species. The presence of these impurities can affect the purity and performance of the final product.

Q3: Why is it crucial to control byproduct formation in **dithiodiglycolic acid** synthesis?

A3: For applications in drug development and other high-purity fields, the presence of byproducts like thiodiglycolic acid can interfere with subsequent reactions, alter the product's physical and chemical properties, and potentially introduce toxicological risks. Therefore, minimizing byproducts is essential for ensuring the quality, safety, and efficacy of the final product.

Q4: What analytical techniques are suitable for monitoring the purity of **dithiodiglycolic acid**?

A4: Several analytical methods can be employed to assess the purity of **dithiodiglycolic acid** and quantify byproducts. These include High-Performance Liquid Chromatography (HPLC), Gas Chromatography-Mass Spectrometry (GC-MS) after derivatization, and titrimetric methods. [6][7][8] ¹H NMR and ¹³C NMR spectroscopy can also be used for structural confirmation and identification of impurities. [4][9]

Troubleshooting Guide

This guide addresses common issues encountered during the synthesis of **dithiodiglycolic acid** and provides potential solutions to minimize byproduct formation.

Issue/Observation	Potential Cause	Recommended Action
High levels of thiodiglycolic acid byproduct detected.	<p>1. Excessive Reaction Temperature: Higher temperatures can favor side reactions.^[1] 2. Rapid Addition of Oxidizing Agent: A high local concentration of the oxidant can lead to over-oxidation. 3. Incorrect Stoichiometry: An excess of the oxidizing agent can promote the formation of byproducts.</p>	<p>1. Maintain a controlled temperature: Operate the reaction within the recommended temperature range (e.g., 25-50°C) using a cooling jacket or ice bath.^[1] 2. Slow, controlled addition: Add the oxidizing agent (e.g., hydrogen peroxide) dropwise or via a syringe pump over an extended period to maintain a low concentration.^[1] 3. Optimize stoichiometry: Use a slight excess of thioglycolic acid relative to the oxidizing agent. A molar ratio of hydrogen peroxide to thioglycolic acid of 1:2 to 1:2.3 is often recommended.^[1]</p>
Low yield of dithiodiglycolic acid.	<p>1. Incomplete Reaction: Insufficient reaction time or inadequate mixing. 2. Suboptimal Catalyst Concentration: The catalyst concentration may be too low for efficient conversion. 3. Decomposition of Product: Prolonged exposure to harsh conditions can degrade the desired product.</p>	<p>1. Ensure adequate reaction time and stirring: Monitor the reaction progress using a suitable analytical technique (e.g., TLC, HPLC) and ensure vigorous stirring throughout the addition and reaction period. 2. Optimize catalyst loading: If using a catalyst, ensure it is added at the appropriate concentration (e.g., 0-0.0001% by weight for a ferric iron catalyst).^[1] 3. Work-up the reaction promptly: Once the reaction is complete, proceed with the isolation and</p>

purification steps without unnecessary delay.

Discoloration of the reaction mixture.

1. Formation of colored metal complexes: If using a metal catalyst like iron, colored intermediates can form.^[2] 2. Presence of metallic impurities: Impurities in the starting materials or from the reactor can lead to discoloration.

1. This is often normal: The formation of a transient red or violet color can be indicative of the catalytic cycle.^[2] The color should fade as the reaction proceeds. 2. Use high-purity reagents and a clean reactor: Ensure the quality of starting materials and the cleanliness of the reaction vessel to minimize side reactions caused by impurities.

Quantitative Data on Reaction Parameters (Illustrative)

The following table provides an illustrative summary of how varying key reaction parameters can influence the purity of **dithiodiglycolic acid**. Note: This data is representative and may vary based on specific experimental conditions.

Parameter	Condition A	Purity of Dithiodiglycolic Acid (%)	Condition B	Purity of Dithiodiglycolic Acid (%)
Reaction Temperature	25°C	~98%	50°C	~95%
H ₂ O ₂ Addition Time	2 hours (slow)	~99%	30 minutes (fast)	~94%
FeCl ₃ Catalyst Conc.	0.00005 wt%	~98.5%	0.0001 wt%	~97%

Key Experimental Protocols

Synthesis of Dithiodiglycolic Acid

This protocol is based on the oxidation of thioglycolic acid using hydrogen peroxide with a ferric iron catalyst.^[1]

Materials:

- Thioglycolic acid
- Deionized water
- Ferric chloride (FeCl₃) or Ferric sulfate (Fe₂(SO₄)₃)
- Hydrogen peroxide (30% w/w)
- Jacketed reaction vessel with overhead stirrer and dropping funnel
- Cooling circulator

Procedure:

- In a jacketed reaction vessel, prepare an aqueous solution of thioglycolic acid by adding it to deionized water (mass ratio of thioglycolic acid to water between 1:0.5 and 1:5).
- Cool the solution to the desired reaction temperature (e.g., 25°C) using the cooling circulator.
- Add the ferric iron catalyst to the thioglycolic acid solution (0-0.0001% of the expected weight of the final **dithiodiglycolic acid** aqueous solution).
- Slowly add the 30% hydrogen peroxide solution dropwise to the stirred reaction mixture over a period of 2-4 hours, maintaining the temperature between 25-50°C. The stoichiometric molar ratio of hydrogen peroxide to thioglycolic acid should be approximately 1:2 to 1:2.3.
- After the addition is complete, continue stirring the reaction mixture at the set temperature for an additional 1-2 hours to ensure complete conversion.
- Monitor the reaction progress by a suitable analytical method (e.g., HPLC).
- Upon completion, the aqueous solution of **dithiodiglycolic acid** can be used directly or the product can be isolated by vacuum drying.

Quantification of Dithiodiglycolic Acid and Thiodiglycolic Acid by HPLC

Instrumentation:

- High-Performance Liquid Chromatograph (HPLC) with a UV detector
- C18 reverse-phase column (e.g., 4.6 x 250 mm, 5 μ m)

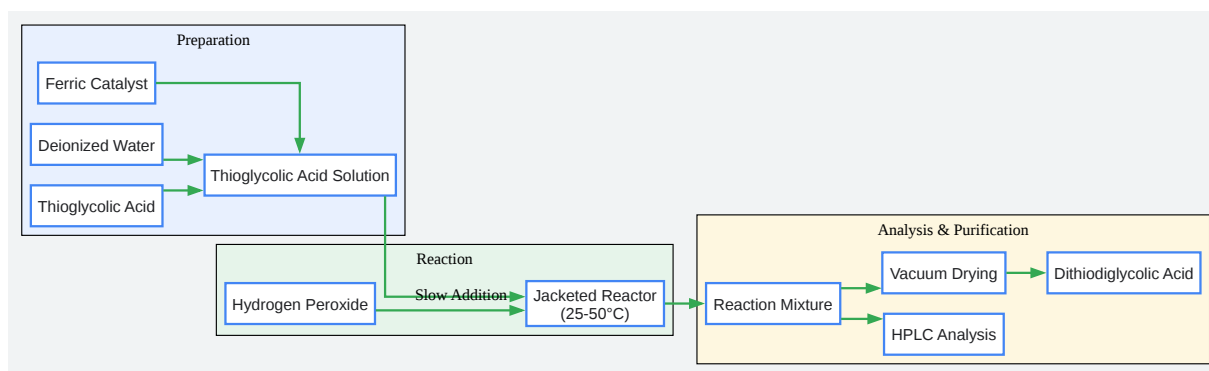
Mobile Phase:

- A suitable mobile phase for separating these polar compounds could be a gradient of an aqueous buffer (e.g., 0.1% phosphoric acid or formic acid in water) and an organic modifier (e.g., acetonitrile or methanol).

Procedure:

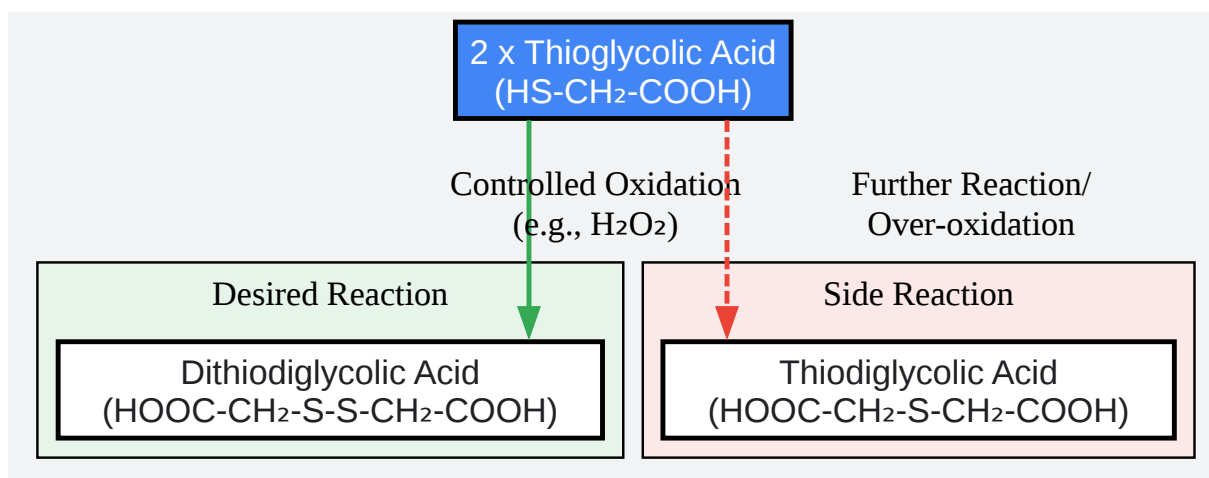
- Prepare standard solutions of **dithiodiglycolic acid** and thiodiglycolic acid of known concentrations.
- Prepare the sample for analysis by diluting an aliquot of the reaction mixture in the mobile phase.
- Inject the standard and sample solutions into the HPLC system.
- Monitor the elution of the compounds using the UV detector at an appropriate wavelength (e.g., 210 nm).
- Identify the peaks corresponding to **dithiodiglycolic acid** and thiodiglycolic acid based on the retention times of the standards.
- Quantify the amount of each compound by comparing the peak areas in the sample chromatogram to the calibration curve generated from the standard solutions.

Visualizations



[Click to download full resolution via product page](#)

Figure 1. Experimental workflow for the synthesis and analysis of **dithiodiglycolic acid**.



[Click to download full resolution via product page](#)

Need Custom Synthesis?

BenchChem offers custom synthesis for rare earth carbides and specific isotopic labeling.

Email: info@benchchem.com or [Request Quote Online](#).

References

- [1. researchgate.net \[researchgate.net\]](#)
- [2. researchgate.net \[researchgate.net\]](#)
- [3. asianpubs.org \[asianpubs.org\]](#)
- [4. US4161612A - Process for preparing thiodiglycolic acid - Google Patents \[patents.google.com\]](#)
- [5. open.metu.edu.tr \[open.metu.edu.tr\]](#)
- [6. Kinetics and mechanism of oxidation of thioglycolic acid by hexachloroiridate\(IV\) | Semantic Scholar \[semanticscholar.org\]](#)
- [7. Thiodiglycolic acid | C4H6O4S | CID 31277 - PubChem \[pubchem.ncbi.nlm.nih.gov\]](#)
- [8. US2945880A - Process for the preparation of thioglycolic acid and salts thereof - Google Patents \[patents.google.com\]](#)
- [9. A new procedure for thioester deprotection using thioglycolic acid in both homogeneous and heterogeneous phase - PMC \[pmc.ncbi.nlm.nih.gov\]](#)
- To cite this document: BenchChem. [Technical Support Center: Dithiodiglycolic Acid Synthesis]. BenchChem, [2026]. [Online PDF]. Available at: [\[https://www.benchchem.com/product/b1265770/docs#technical-support-center-dithiodiglycolic-acid-synthesis\]](https://www.benchchem.com/product/b1265770/docs#technical-support-center-dithiodiglycolic-acid-synthesis)

Disclaimer & Data Validity:

The information provided in this document is for Research Use Only (RUO) and is strictly not intended for diagnostic or therapeutic procedures. While BenchChem strives to provide accurate protocols, we make no warranties, express or implied, regarding the fitness of this product for every specific experimental setup.

Technical Support: The protocols provided are for reference purposes. Unsure if this reagent suits your experiment?

Need Industrial/Bulk Grade? [Request Custom Synthesis Quote](#)

BenchChem

Our mission is to be the trusted global source of essential and advanced chemicals, empowering scientists and researchers to drive progress in science and industry.

Contact

Address: 3281 E Guasti Rd
Ontario, CA 91761, United States
Phone: (601) 213-4426
Email: info@benchchem.com

[Contact our Ph.D. Support Team for a compatibility check](#)