

# An In-depth Technical Guide to the Antioxidant Properties of Selenium Compounds

**Author:** BenchChem Technical Support Team. **Date:** April 2026

## Compound of Interest

Compound Name: Sodium biselenite

CAS No.: 7782-82-3

Cat. No.: B1261200

[Get Quote](#)

For Researchers, Scientists, and Drug Development Professionals

## Introduction: Selenium and Redox Homeostasis

Selenium (Se) is an essential trace element critical for human health, primarily by being incorporated into a unique class of proteins known as selenoproteins.[1][2] The biological functions of selenium are largely attributed to the catalytic activity of these proteins, many of which are oxidoreductase enzymes that play a central role in maintaining cellular redox balance and protecting against oxidative stress.[3][4][5] Oxidative stress, resulting from an imbalance between the production of reactive oxygen species (ROS) and the cell's ability to detoxify them, is implicated in the pathophysiology of numerous diseases, including cancer, cardiovascular disorders, and neurodegenerative conditions.[1][6]

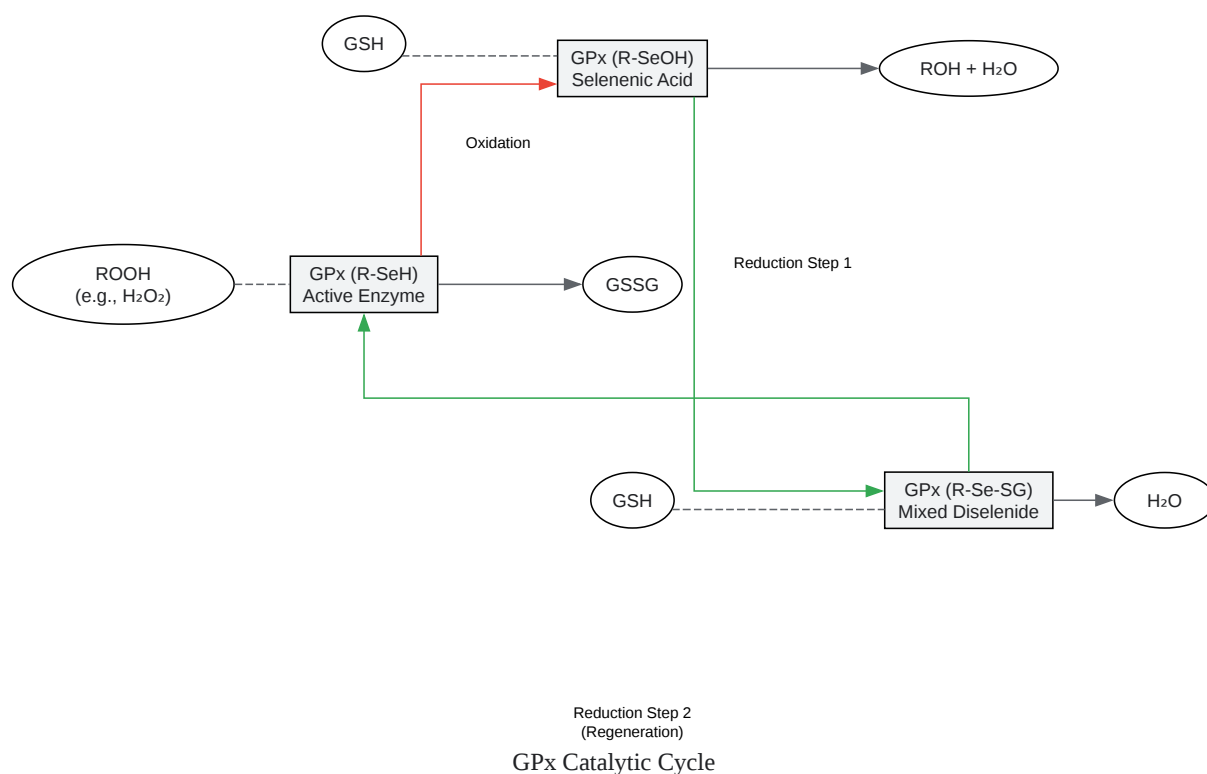
This technical guide provides a comprehensive overview of the antioxidant properties of selenium compounds. It details the core mechanisms of action mediated by key selenoenzymes, compares the antioxidant profiles of various organic and inorganic selenium compounds, presents quantitative data on their efficacy, outlines detailed experimental protocols for their evaluation, and visualizes the critical biochemical pathways involved.

## Core Mechanisms of Antioxidant Action

The antioxidant function of selenium is not typically direct; instead, it is mediated through the incorporation of the 21st amino acid, selenocysteine (Sec), into the active sites of selenoenzymes.[7][8] The lower pKa (~5.2) and higher nucleophilicity of the selenol group in selenocysteine compared to the thiol group in cysteine (pKa ~8.3) make it a significantly more potent catalyst for redox reactions under physiological conditions.[7]

## The Glutathione Peroxidase (GPx) Family

Glutathione peroxidases (GPx) are the most well-characterized family of selenoenzymes, responsible for reducing hydrogen peroxide ( $H_2O_2$ ) and organic hydroperoxides (ROOH) to harmless products like water and alcohols, using reduced glutathione (GSH) as a cofactor.[9][10][11] This action is a primary defense against lipid peroxidation, thereby protecting cellular membranes from oxidative damage.[10][12] The catalytic cycle involves the oxidation of the active site selenocysteine to selenenic acid (R-SeOH) by the peroxide substrate. The enzyme is then regenerated through two successive reactions with GSH molecules, producing glutathione disulfide (GSSG).[9][13][14]

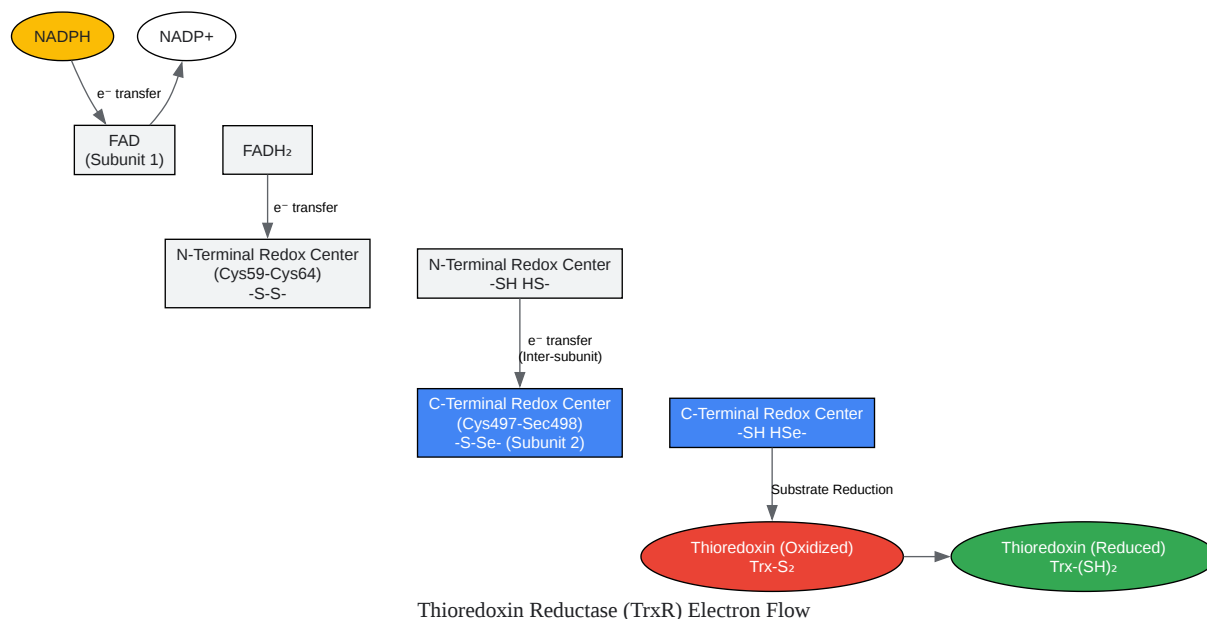


[Click to download full resolution via product page](#)

A diagram of the Glutathione Peroxidase (GPx) catalytic cycle.

## The Thioredoxin Reductase (TrxR) Family

Thioredoxin reductases (TrxR) are homodimeric flavoproteins that catalyze the NADPH-dependent reduction of thioredoxin (Trx).[15][16] Mammalian TrxRs are distinguished by a C-terminal redox center containing a highly conserved Gly-Cys-Sec-Gly sequence.[15][17] This C-terminal arm makes TrxR a versatile enzyme with broad substrate specificity beyond thioredoxin.[16] The catalytic mechanism involves the transfer of reducing equivalents from NADPH to FAD, then to an N-terminal disulfide, and finally to the C-terminal Cys-Sec selenenylsulfide, which carries out the reduction of the substrate.[15][18] The TrxR/Trx system is crucial for regulating cellular processes like DNA synthesis, apoptosis, and redox signaling. [16]



[Click to download full resolution via product page](#)

Electron flow in the Thioredoxin Reductase (TrxR) mechanism.

## Key Selenium Compounds and Their Antioxidant Profiles

Selenium compounds are broadly categorized as inorganic or organic, with significant differences in their bioavailability, metabolism, and antioxidant efficacy.[19]

- **Inorganic Selenium:** Includes forms like sodium selenite ( $\text{Na}_2\text{SeO}_3$ ) and sodium selenate ( $\text{Na}_2\text{SeO}_4$ ). Selenite is readily reduced to selenide and incorporated into selenocysteine, making it effective at increasing the activity of selenoenzymes like GPx.[10][20] However, inorganic forms have a narrower therapeutic window and can be pro-oxidant at higher concentrations by catalyzing the oxidation of thiols.[10]

- Organic Selenium: This category includes selenomethionine (SeMet), selenocysteine (Sec), and their derivatives like methylselenocysteine (MeSeCys). SeMet is the primary form of selenium found in foods and can be nonspecifically incorporated into proteins in place of methionine, acting as a storage form of selenium.[21][22] Organic forms generally have higher bioavailability and are considered less toxic than inorganic forms.[23][24] SeMet's antioxidant activity also stems from its ability to be converted to Sec for selenoprotein synthesis and its role in recycling glutathione.[22]

## Quantitative Assessment of Antioxidant Capacity

The antioxidant capacity of selenium compounds can be assessed using various in vitro and in vivo methods. In vitro assays measure direct radical scavenging or reducing power, while cellular and in vivo studies measure the impact on selenoenzyme activity and markers of oxidative stress.

Table 1: Comparative Antioxidant Activity of Selenium Compounds

Compound/Supplement	Assay Type	Model/System	Key Finding	Reference
Sodium Selenite	GPx Activity	Human Coronary Artery Endothelial Cells	Dose-dependently increased GPx-1 protein and activity.	[25]
Sodium Selenite	GPx Activity	Broiler Chickens (in vivo)	Increased GPx activity in breast meat.	[26]
Sodium Selenite	Cellular Antioxidant Activity (CAA)	Germinated Chickpea Oil	Increased CAA at concentrations of 0.5 and 1.0 mg/100g.	[27]
Se-methyl-selenocysteine	GPx Activity	Human Coronary Artery Endothelial Cells	Dose-dependently increased GPx-1 protein and activity.	[25]
Selenomethionine (SeMet)	CUPRAC Assay	In vitro chemical assay	Showed the highest reducing power among tested Se compounds.	[28][29]
Selenium Yeast (SY)	GPx Activity & Oxidative Stability	Broiler Chickens (in vivo)	More effective than sodium selenite in increasing GPx activity and meat oxidative stability.	[26]
Diphenyl Diselenide	ROS Formation	J774A.1 Macrophages	Substantially reduced ROS	[30]

---

			formation driven by oxidized LDL.
Selenium Nanoparticles (SeNPs)	DPPH & ABTS Radical Scavenging	In vitro chemical assay	Demonstrated effective radical scavenging activity.

---

[31][32]

## Experimental Protocols for Evaluation

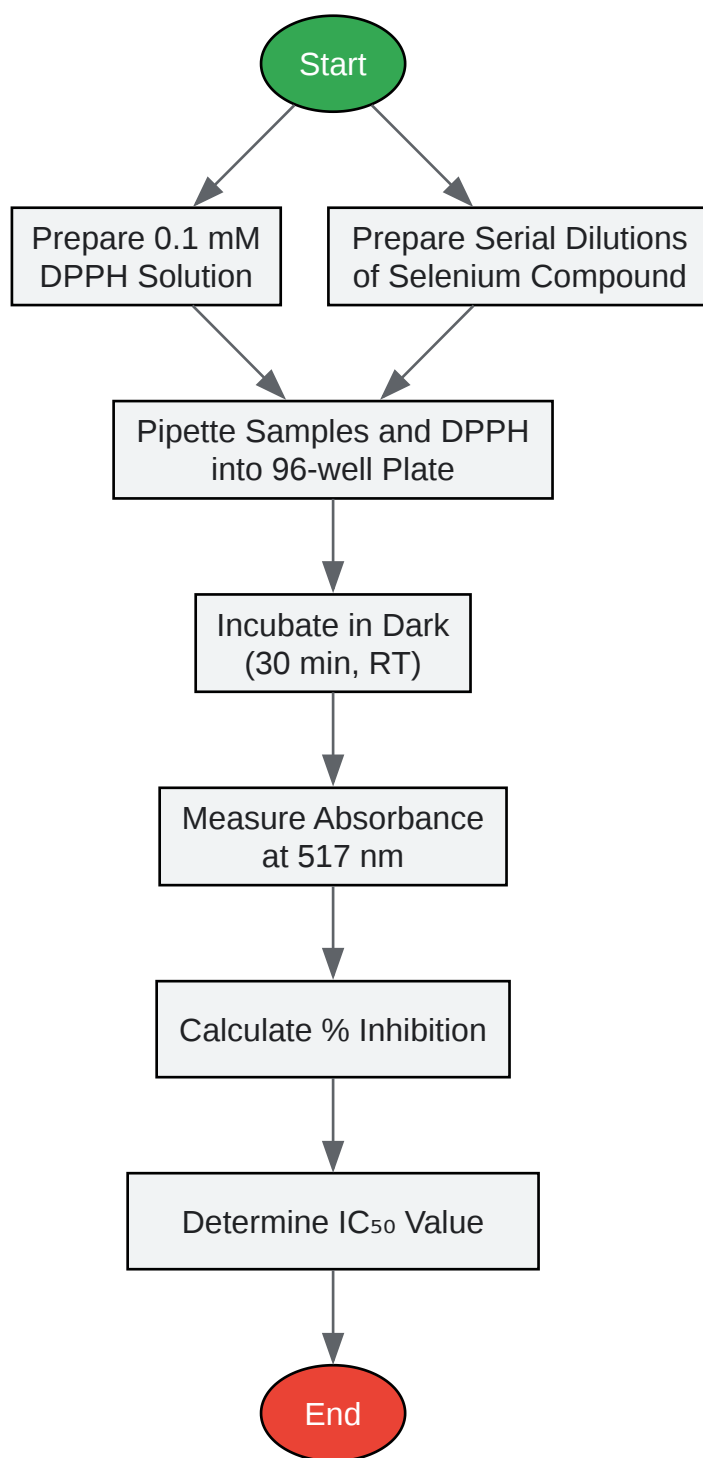
Accurate assessment of the antioxidant properties of selenium compounds requires standardized and reproducible experimental protocols.

### Protocol: DPPH (2,2-diphenyl-1-picrylhydrazyl) Radical Scavenging Assay

This assay measures the ability of a compound to act as a free radical scavenger or hydrogen donor.

- Principle: The stable purple DPPH radical is reduced to the yellow-colored diphenylpicrylhydrazine in the presence of an antioxidant. The decrease in absorbance is proportional to the antioxidant capacity.
- Methodology:
  - Reagent Preparation: Prepare a 0.1 mM solution of DPPH in methanol. The absorbance of this solution at 517 nm should be ~1.0.
  - Sample Preparation: Dissolve the selenium compound in a suitable solvent (e.g., methanol, DMSO) to create a stock solution. Prepare serial dilutions to test a range of concentrations.
  - Reaction: In a 96-well microplate, add 20  $\mu$ L of each sample dilution to 180  $\mu$ L of the DPPH working solution. For the control, use 20  $\mu$ L of the solvent.
  - Incubation: Incubate the plate in the dark at room temperature for 30 minutes.

- Measurement: Measure the absorbance at 517 nm using a microplate reader.
- Calculation: Calculate the percentage of radical scavenging activity using the formula: % Inhibition =  $[(\text{Abs\_control} - \text{Abs\_sample}) / \text{Abs\_control}] * 100$
- Data Analysis: Plot the % inhibition against the compound concentration to determine the IC<sub>50</sub> value (the concentration required to scavenge 50% of the DPPH radicals).



### DPPH Assay Workflow

[Click to download full resolution via product page](#)

### Need Custom Synthesis?

BenchChem offers custom synthesis for rare earth carbides and specific isotopic labeling.

Email: [info@benchchem.com](mailto:info@benchchem.com) or [Request Quote Online](#).

## References

- 1. Selenium: its role as antioxidant in human health - PMC [[pmc.ncbi.nlm.nih.gov](https://pubmed.ncbi.nlm.nih.gov)]
- 2. [mdpi.com](https://mdpi.com) [[mdpi.com](https://mdpi.com)]
- 3. [mdpi.com](https://mdpi.com) [[mdpi.com](https://mdpi.com)]
- 4. Selenoproteins: Antioxidant selenoenzymes and beyond - PubMed [[pubmed.ncbi.nlm.nih.gov](https://pubmed.ncbi.nlm.nih.gov)]
- 5. [researchgate.net](https://researchgate.net) [[researchgate.net](https://researchgate.net)]
- 6. Selenium: An Antioxidant with a Critical Role in Anti-Aging - PMC [[pmc.ncbi.nlm.nih.gov](https://pubmed.ncbi.nlm.nih.gov)]
- 7. Exploring the Antioxidant Roles of Cysteine and Selenocysteine in Cellular Aging and Redox Regulation - PMC [[pmc.ncbi.nlm.nih.gov](https://pubmed.ncbi.nlm.nih.gov)]
- 8. [youtube.com](https://youtube.com) [[youtube.com](https://youtube.com)]
- 9. Glutathione peroxidase - Wikipedia [[en.wikipedia.org](https://en.wikipedia.org)]
- 10. The antioxidant role of selenium and seleno-compounds - PMC [[pmc.ncbi.nlm.nih.gov](https://pubmed.ncbi.nlm.nih.gov)]
- 11. [mdpi.com](https://mdpi.com) [[mdpi.com](https://mdpi.com)]
- 12. [mdpi.com](https://mdpi.com) [[mdpi.com](https://mdpi.com)]
- 13. [researchgate.net](https://researchgate.net) [[researchgate.net](https://researchgate.net)]
- 14. [pubs.acs.org](https://pubs.acs.org) [[pubs.acs.org](https://pubs.acs.org)]
- 15. [pnas.org](https://pnas.org) [[pnas.org](https://pnas.org)]
- 16. Thioredoxin reductase - PMC [[pmc.ncbi.nlm.nih.gov](https://pubmed.ncbi.nlm.nih.gov)]
- 17. [pnas.org](https://pnas.org) [[pnas.org](https://pnas.org)]
- 18. Selenium in Thioredoxin Reductase: A Mechanistic Perspective - PMC [[pmc.ncbi.nlm.nih.gov](https://pubmed.ncbi.nlm.nih.gov)]
- 19. [mdpi.com](https://mdpi.com) [[mdpi.com](https://mdpi.com)]
- 20. What is the mechanism of Sodium Selenite? [[synapse.patsnap.com](https://synapse.patsnap.com)]

- [21. Selenomethionine – Uses, Benefits, Side Effects And Medicines \[zeelabpharmacy.com\]](#)
- [22. Selenomethionine - Wikipedia \[en.wikipedia.org\]](#)
- [23. caringsunshine.com \[caringsunshine.com\]](#)
- [24. L-Selenomethionine – Antioxidant Supplement to Protect from Oxidation \[supersmart.com\]](#)
- [25. Selenium supplementation improves antioxidant capacity in vitro and in vivo in patients with coronary artery disease The SElenium Therapy in Coronary Artery disease Patients \(SETCAP\) Study - PubMed \[pubmed.ncbi.nlm.nih.gov\]](#)
- [26. pubs.acs.org \[pubs.acs.org\]](#)
- [27. researchgate.net \[researchgate.net\]](#)
- [28. d-nb.info \[d-nb.info\]](#)
- [29. researchgate.net \[researchgate.net\]](#)
- [30. mdpi.com \[mdpi.com\]](#)
- [31. The Influence of Synthesis Conditions on the Antioxidant Activity of Selenium Nanoparticles - PMC \[pmc.ncbi.nlm.nih.gov\]](#)
- [32. researchgate.net \[researchgate.net\]](#)
- To cite this document: BenchChem. [An In-depth Technical Guide to the Antioxidant Properties of Selenium Compounds]. BenchChem, [2026]. [Online PDF]. Available at: [<https://www.benchchem.com/product/b1261200/docs#an-in-depth-technical-guide-to-the-antioxidant-properties-of-selenium-compounds>]

---

#### Disclaimer & Data Validity:

The information provided in this document is for Research Use Only (RUO) and is strictly not intended for diagnostic or therapeutic procedures. While BenchChem strives to provide accurate protocols, we make no warranties, express or implied, regarding the fitness of this product for every specific experimental setup.

**Technical Support:** The protocols provided are for reference purposes. Unsure if this reagent suits your experiment?

**Need Industrial/Bulk Grade?** [Request Custom Synthesis Quote](#)

# BenchChem

Our mission is to be the trusted global source of essential and advanced chemicals, empowering scientists and researchers to drive progress in science and industry.

## Contact

Address: 3281 E Guasti Rd

Ontario, CA 91761, United States

Phone: (601) 213-4426

Email: [info@benchchem.com](mailto:info@benchchem.com)

[Contact our Ph.D. Support Team for a compatibility check](#)