

Parellin experimental variability and reproducibility issues

Author: BenchChem Technical Support Team. **Date:** April 2026

Compound of Interest

Compound Name: Parellin
Cat. No.: B1257211

[Get Quote](#)

Technical Support Center: Parellin Experimental Protocols

This technical support center provides troubleshooting guidance and frequently asked questions for researchers working with **Parellin**, a synthetic peptide analog of a novel endogenous signaling molecule being investigated for its therapeutic potential in neuroprotection and cardioprotection. Due to its complex biological activity, experiments with **Parellin** can be subject to variability. This guide aims to help users identify and resolve common issues to ensure experimental reproducibility.

General Troubleshooting Guide

Experiments involving peptide ligands like **Parellin** can be sensitive to a variety of factors. Below is a general guide to address common issues.

Issue	Potential Cause	Recommended Solution
<p>Inconsistent results between experiments</p>	<p>1. Reagent Variability: Differences in lots of Parellin, serum, or other critical reagents. 2. Cell Passage Number: High passage number can lead to phenotypic drift. 3. Technician Variability: Minor differences in pipetting, timing, or cell handling.</p>	<p>1. Qualify new lots of reagents against a known standard. Purchase larger batches of critical reagents to use across multiple experiments. 2. Maintain a consistent and limited range of cell passage numbers for all experiments. 3. Ensure all users follow a standardized, detailed protocol. Cross-train personnel.</p>
<p>Low Signal-to-Noise Ratio</p>	<p>1. Suboptimal Parellin Concentration: The concentration used may be on the steep part of the dose-response curve. 2. Assay Incubation Time: Incubation time may be too short or too long. 3. Cell Density: Cell seeding density may be too high or too low.</p>	<p>1. Perform a full dose-response curve to identify the optimal concentration range (e.g., EC50, EC80). 2. Optimize incubation time by performing a time-course experiment. 3. Determine the optimal cell seeding density for your specific cell line and assay.</p>
<p>Complete Loss of Parellin Activity</p>	<p>1. Improper Storage: Parellin was not stored at the recommended temperature or was subjected to freeze-thaw cycles. 2. Degradation in Media: Parellin may be unstable in certain cell culture media over long incubation periods. 3. Incorrect Preparation: Errors in calculating concentration or dilution.</p>	<p>1. Store lyophilized Parellin at -80°C and reconstituted aliquots at -20°C. Avoid repeated freeze-thaw cycles. 2. Test Parellin stability in your specific media. Consider using protease inhibitors if degradation is suspected. 3. Double-check all calculations and ensure proper calibration of pipettes.</p>

Parellin Bioactivity Assay Troubleshooting

This section provides specific troubleshooting tips for a common experimental setup: assessing the neuroprotective effect of **Parellin** on a neuronal cell line (e.g., SH-SY5Y) subjected to oxidative stress (e.g., H₂O₂ treatment) using a cell viability assay like MTT.

Problem	Possible Cause	Solution
High variability in viability readings within the same treatment group	<p>1. Uneven Cell Seeding: Inconsistent number of cells per well. 2. Edge Effects: Wells on the perimeter of the plate are prone to evaporation. 3. Incomplete Reagent Mixing: Poor mixing of Parellin or H₂O₂ in the wells.</p>	<p>1. Ensure the cell suspension is homogenous before and during seeding. Pipette carefully and consistently. 2. Avoid using the outermost wells of the plate for experimental conditions. Fill them with sterile PBS or media. 3. Gently mix the plate after adding reagents, for example, by tapping or using a plate shaker.</p>
No protective effect of Parellin observed	<p>1. H₂O₂ concentration is too high: The oxidative stress is too severe for Parellin to rescue the cells. 2. Parellin pre-incubation time is too short: Cells were not exposed to Parellin long enough to elicit a protective response. 3. Cell line is not responsive to Parellin: The cell line may not express the Parellin receptor (PAR1).</p>	<p>1. Optimize the H₂O₂ concentration to induce a partial (e.g., 50%) reduction in cell viability. 2. Optimize the pre-incubation time with Parellin before H₂O₂ treatment (e.g., test 2, 6, 12, and 24 hours). 3. Confirm PAR1 expression in your cell line using qPCR or Western blot.</p>
Parellin appears to be toxic at high concentrations	<p>1. Solvent Toxicity: If using a solvent like DMSO to dissolve Parellin, high concentrations of the solvent may be toxic. 2. Receptor Downregulation/Desensitization: Prolonged exposure to high concentrations of an agonist can lead to receptor downregulation.</p>	<p>1. Ensure the final concentration of the solvent is consistent across all wells and is below the toxic threshold for your cells. 2. Perform a time-course experiment to assess the duration of the signaling response.</p>

Frequently Asked Questions (FAQs)

Q1: How should I store **Parellin**?

A1: Lyophilized **Parellin** should be stored at -80°C. Once reconstituted, it is recommended to make single-use aliquots and store them at -20°C to avoid repeated freeze-thaw cycles, which can lead to peptide degradation.

Q2: What is the best solvent to reconstitute **Parellin**?

A2: The recommended solvent for reconstituting lyophilized **Parellin** is sterile, nuclease-free water. For some applications, a small amount of a co-solvent like DMSO may be used to aid solubility, but the final concentration should be kept low (typically <0.1%) to avoid cellular toxicity.

Q3: Is **Parellin** stable in cell culture media?

A3: The stability of **Parellin** can vary depending on the components of the cell culture media, particularly the presence of proteases in serum. For long-term experiments, it is advisable to test the stability of **Parellin** in your specific media. This can be done by incubating **Parellin** in media for various durations and then testing its bioactivity.

Q4: My cell line does not respond to **Parellin**. What should I do?

A4: First, confirm that your cell line expresses the **Parellin** receptor (PAR1). This can be done using techniques like qPCR to detect mRNA expression or Western blotting to detect the receptor protein. If the receptor is not present, you will need to use a different cell line or consider creating a stable cell line that expresses PAR1.

Q5: How can I minimize variability in my **Parellin** experiments?

A5: To minimize variability, it is crucial to standardize your experimental protocol as much as possible. This includes using a consistent cell passage number, carefully controlling cell seeding density, qualifying new batches of reagents, and ensuring consistent timing of all experimental steps.^[1] Including appropriate positive and negative controls in every experiment is also essential for data interpretation.

Experimental Protocols

Detailed Protocol: Parellin Bioactivity Assay for Neuroprotection

This protocol describes a method to assess the neuroprotective effects of **Parellin** against hydrogen peroxide (H₂O₂)-induced oxidative stress in the SH-SY5Y neuroblastoma cell line using an MTT cell viability assay.

Materials:

- SH-SY5Y cells
- DMEM/F12 medium supplemented with 10% FBS and 1% Penicillin-Streptomycin
- **Parellin** (lyophilized)
- Sterile, nuclease-free water
- Hydrogen peroxide (H₂O₂)
- MTT (3-(4,5-dimethylthiazol-2-yl)-2,5-diphenyltetrazolium bromide) solution
- DMSO
- 96-well cell culture plates

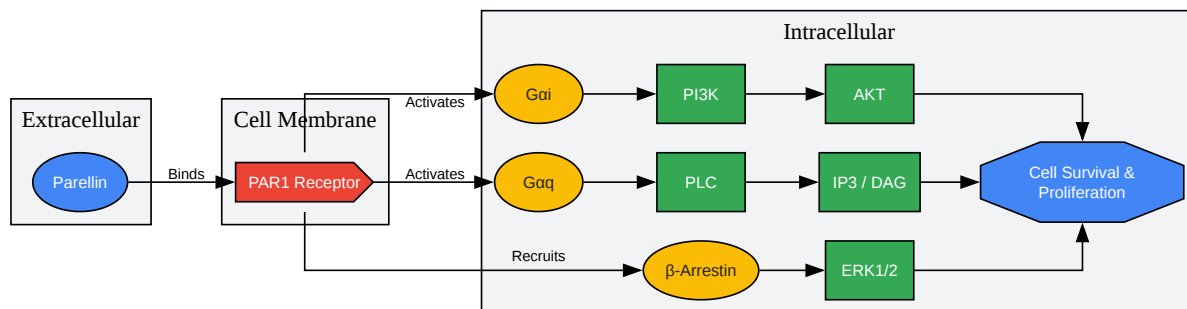
Procedure:

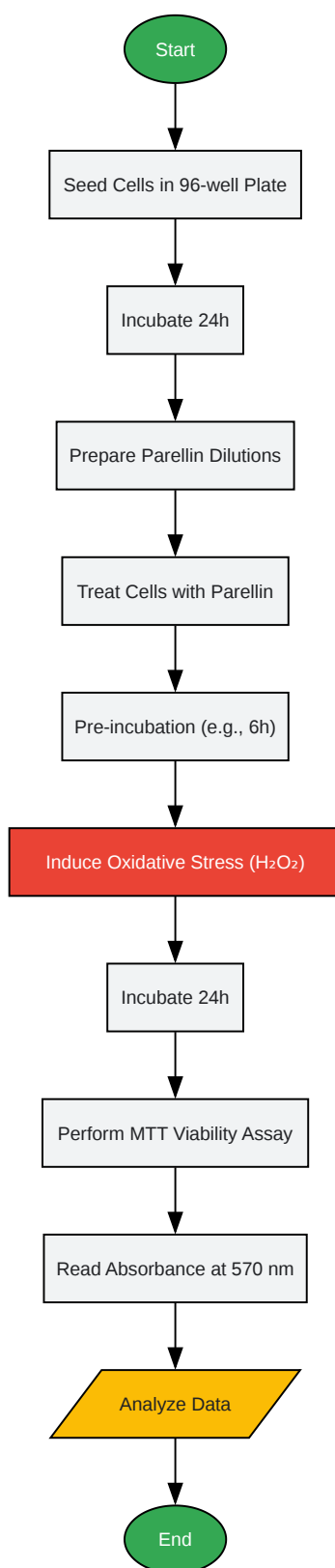
- **Cell Seeding:** Seed SH-SY5Y cells in a 96-well plate at a density of 1×10^4 cells per well in 100 μ L of complete medium. Incubate for 24 hours at 37°C and 5% CO₂.
- **Parellin Treatment:** Prepare a stock solution of **Parellin** by reconstituting the lyophilized peptide in sterile water. Further dilute the stock solution in serum-free medium to the desired final concentrations. Remove the complete medium from the cells and replace it with 100 μ L of the **Parellin**-containing medium. Incubate for the desired pre-treatment time (e.g., 6 hours).

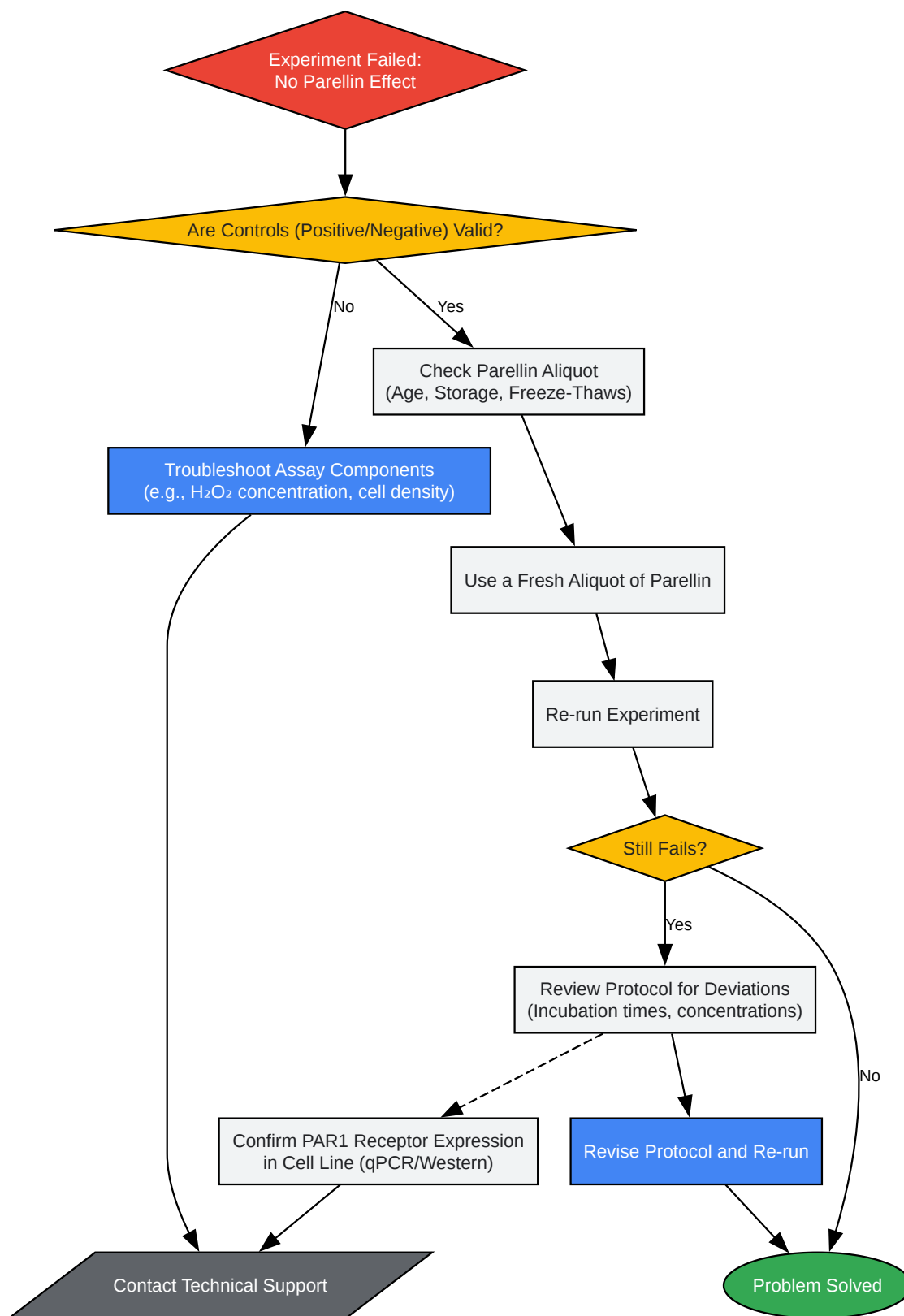
- **Oxidative Stress Induction:** Prepare a fresh solution of H₂O₂ in serum-free medium. Add 10 μL of the H₂O₂ solution to the appropriate wells to achieve the final desired concentration (previously optimized to induce ~50% cell death). Incubate for 24 hours.
- **MTT Assay:** Add 10 μL of MTT solution (5 mg/mL in PBS) to each well and incubate for 4 hours at 37°C.
- **Formazan Solubilization:** Carefully remove the medium and add 100 μL of DMSO to each well to dissolve the formazan crystals.
- **Absorbance Measurement:** Measure the absorbance at 570 nm using a microplate reader.

Visualizations

Signaling Pathways and Workflows







[Click to download full resolution via product page](#)

Need Custom Synthesis?

BenchChem offers custom synthesis for rare earth carbides and specific isotopic labeling.

Email: info@benchchem.com or [Request Quote Online](#).

References

- 1. [youtube.com](https://www.youtube.com) [[youtube.com](https://www.youtube.com)]
- To cite this document: BenchChem. [Parellin experimental variability and reproducibility issues]. BenchChem, [2026]. [Online PDF]. Available at: [<https://www.benchchem.com/product/b1257211/docs#parellin-experimental-variability-and-reproducibility-issues>]

Disclaimer & Data Validity:

The information provided in this document is for Research Use Only (RUO) and is strictly not intended for diagnostic or therapeutic procedures. While BenchChem strives to provide accurate protocols, we make no warranties, express or implied, regarding the fitness of this product for every specific experimental setup.

Technical Support: The protocols provided are for reference purposes. Unsure if this reagent suits your experiment?

Need Industrial/Bulk Grade? [Request Custom Synthesis Quote](#)

BenchChem

Our mission is to be the trusted global source of essential and advanced chemicals, empowering scientists and researchers to drive progress in science and industry.

Contact

Address: 3281 E Guasti Rd

Ontario, CA 91761, United States

Phone: (601) 213-4426

Email: info@benchchem.com

Contact our Ph.D. Support Team for a compatibility check