

How to control for batch-to-batch variability of Neuroprotectin D1

Author: BenchChem Technical Support Team. **Date:** April 2026

Compound of Interest

Compound Name: Neuroprotectin D1

CAS No.: 660430-03-5

Cat. No.: B1255393

[Get Quote](#)

Technical Support Center: Neuroprotectin D1 (NPD1)

Welcome to the technical support center for **Neuroprotectin D1** (NPD1). This resource is designed for researchers, scientists, and drug development professionals to provide guidance on controlling for batch-to-batch variability in their experiments. Below you will find troubleshooting guides and frequently asked questions to ensure the consistency and reliability of your results.

Frequently Asked Questions (FAQs)

Q1: What is **Neuroprotectin D1** and what are its primary functions?

Neuroprotectin D1 (NPD1) is a specialized pro-resolving mediator (SPM) derived from the omega-3 fatty acid docosahexaenoic acid (DHA).[1][2] It is an endogenous lipid mediator with potent anti-inflammatory, pro-resolving, and neuroprotective properties.[2][3] Its primary functions include inhibiting inflammatory cytokine production, modulating apoptosis by

regulating Bcl-2 family proteins, and promoting cell survival pathways, making it crucial for maintaining nervous system homeostasis.[\[2\]](#)[\[4\]](#)[\[5\]](#)

Q2: What are the main sources of batch-to-batch variability with commercially available NPD1?

Batch-to-batch variability in commercially supplied NPD1 can arise from several factors:

- **Synthesis and Purification:** Differences in the stereochemical purity of synthetic NPD1 can lead to variations in biological activity. The efficiency of purification to remove isomers and byproducts is critical.[\[6\]](#)[\[7\]](#)
- **Storage and Handling:** NPD1 is a lipid that can degrade if not stored properly. Exposure to light, oxygen, and improper temperatures can lead to oxidation and loss of activity.[\[1\]](#)[\[8\]](#)
- **Quantification:** Inaccurate concentration determination of the stock solution can lead to significant variability in experimental results.

Q3: How should I properly store and handle my NPD1 to ensure its stability?

To maintain the stability and activity of NPD1, proper storage and handling are essential. Commercial suppliers recommend the following:

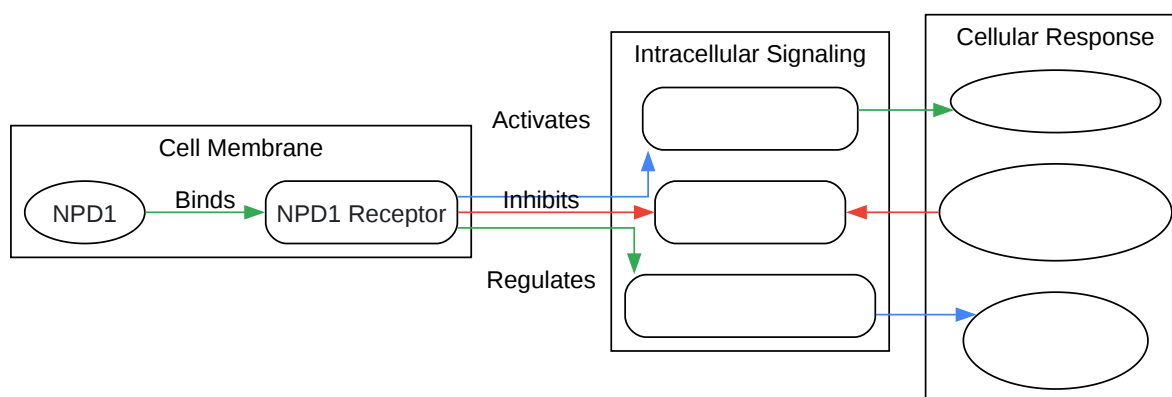
Storage Condition	Recommendation	Stability
Long-term Storage	Store at -80°C in a light-protected vial.	≥ 1 year [1] [8]
Shipping	Shipped on dry or wet ice.	Varies by supplier.
Handling	Minimize freeze-thaw cycles. Aliquot into smaller volumes for single-use applications. Use glass or polypropylene tubes to prevent adsorption to plastic surfaces.	

Data compiled from commercial supplier information.[\[1\]](#)[\[8\]](#)

Q4: What are the key signaling pathways regulated by NPD1?

NPD1 exerts its neuroprotective and anti-inflammatory effects by modulating several key signaling pathways:

- **Anti-apoptotic Signaling:** NPD1 upregulates anti-apoptotic proteins like Bcl-2 and Bcl-xL, while downregulating pro-apoptotic proteins such as Bax and Bad.^{[3][5][9]} This action helps to prevent programmed cell death in response to oxidative stress.
- **Inhibition of Pro-inflammatory Pathways:** NPD1 can inhibit the NF- κ B signaling pathway, which leads to the downregulation of pro-inflammatory genes like COX-2.^{[4][9]}
- **Pro-survival Signaling:** NPD1 can activate the PI3K/Akt and mTOR/p70S6K pathways, which are critical for promoting cell survival.^{[10][11]}



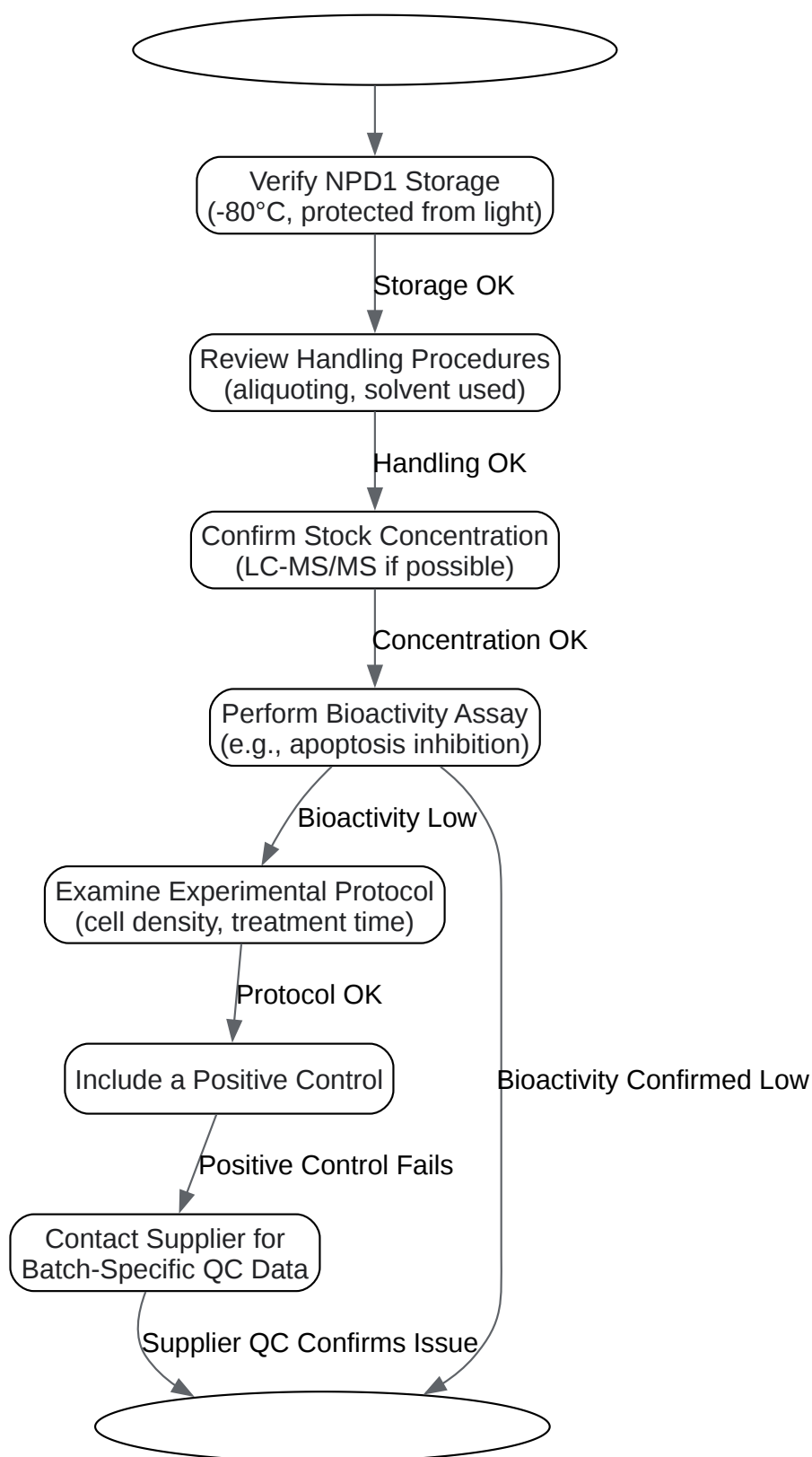
[Click to download full resolution via product page](#)

Caption: Simplified signaling pathways modulated by **Neuroprotectin D1**.

Troubleshooting Guides

Issue 1: Inconsistent or No Biological Effect of NPD1 in Cell-Based Assays

This is a common issue that can be frustrating. The following troubleshooting workflow can help you identify the potential cause.



[Click to download full resolution via product page](#)

Caption: Troubleshooting workflow for inconsistent NPD1 activity.

Potential Causes and Solutions:

Potential Cause	Recommended Solution
NPD1 Degradation	Ensure NPD1 is stored at -80°C and protected from light. Aliquot stock solutions to minimize freeze-thaw cycles. Prepare fresh working solutions for each experiment.
Incorrect Concentration	Verify the concentration of your stock solution. If possible, use LC-MS/MS for accurate quantification. [9] [12] Use a deuterated internal standard for precise measurement. [1]
Suboptimal Assay Conditions	Optimize your cell-based assay. This includes cell density, serum concentration in the media, and the duration of NPD1 treatment. For example, in oxidative stress models using ARPE-19 cells, a 50 nM concentration of NPD1 is often effective. [9] [13]
Inactive Batch	If you suspect the batch of NPD1 is inactive, perform a simple bioactivity assay. You can also contact the supplier for their quality control data for that specific batch.

Key Experimental Protocols

Protocol 1: Quantification of NPD1 by LC-MS/MS

This protocol provides a general framework for the quantification of NPD1 in biological samples.

1. Sample Preparation:

- Spike samples with a deuterated internal standard (e.g., Protectin D1-d5) to correct for extraction losses.[\[1\]](#)
- Perform solid-phase extraction (SPE) to purify and concentrate the lipid fraction.

2. LC-MS/MS Analysis:

- Column: A C18 column is commonly used for separation.[9][13]
- Mobile Phase: A gradient of methanol/water/acetic acid is often employed.[9]
- Mass Spectrometry: Operate in negative electrospray ionization (ESI-) mode.
- Transitions: Use selected reaction monitoring (SRM) for quantification. The parent/daughter ion pair for NPD1 is typically m/z 359/205.[9]

Table of LC-MS/MS Parameters:

Parameter	Value
Ionization Mode	Negative ESI
Parent Ion (m/z)	359
Daughter Ion (m/z)	205
Internal Standard	Protectin D1-d5

Parameters are based on published methods.[9]

Protocol 2: Assessment of NPD1 Bioactivity in an Oxidative Stress Model

This protocol describes how to assess the protective effect of NPD1 against oxidative stress-induced apoptosis in human retinal pigment epithelial (ARPE-19) cells.

1. Cell Culture:

- Culture ARPE-19 cells in DMEM/F12 medium supplemented with 10% FBS.
- Seed cells in 96-well plates and allow them to reach confluence.

2. Induction of Oxidative Stress:

- Induce oxidative stress by treating the cells with a combination of tumor necrosis factor-alpha (TNF- α) and hydrogen peroxide (H₂O₂). A typical concentration is 10 ng/mL TNF- α and 200-400 μ M H₂O₂.^[9]

3. NPD1 Treatment:

- Co-treat the cells with varying concentrations of NPD1 (e.g., 10-100 nM) at the same time as the oxidative stress inducers.

4. Assessment of Apoptosis:

- After 12-24 hours, assess apoptosis using one of the following methods:
 - DNA Fragmentation ELISA: Measures the level of mono- and oligonucleosomes in the cytoplasm.^[9]
 - Caspase-3 Activity Assay: Measures the activity of a key executioner caspase in apoptosis.^{[9][14]}
 - Hoechst Staining: A fluorescent stain that allows for the visualization of nuclear condensation, a hallmark of apoptosis.^[13]

Expected Outcome:

NPD1 should dose-dependently inhibit apoptosis induced by oxidative stress. A significant reduction in DNA fragmentation, caspase-3 activity, or the number of apoptotic nuclei is expected in NPD1-treated cells compared to the vehicle control.^{[5][9]}

Need Custom Synthesis?

BenchChem offers custom synthesis for rare earth carbides and specific isotopic labeling.

Email: info@benchchem.com or [Request Quote Online](#).

References

- 1. caymanchem.com [caymanchem.com]

- [2. eurekaselect.com \[eurekaselect.com\]](https://eurekaselect.com)
- [3. Protectin D1 - Wikipedia \[en.wikipedia.org\]](https://en.wikipedia.org)
- [4. Molecular mechanisms of signaling via the docosanoid neuroprotectin D1 for cellular homeostasis and neuroprotection - PMC \[pmc.ncbi.nlm.nih.gov\]](https://pubmed.ncbi.nlm.nih.gov)
- [5. Neuroprotectin D1 \(NPD1\): a DHA-derived mediator that protects brain and retina against cell injury-induced oxidative stress - PubMed \[pubmed.ncbi.nlm.nih.gov\]](https://pubmed.ncbi.nlm.nih.gov)
- [6. In Vitro Biosynthetic Pathway Investigations of Neuroprotectin D1 \(NPD1\) and Protectin DX \(PDX\) by Human 12-Lipoxygenase, 15-Lipoxygenase-1, and 15-Lipoxygenase-2 - PMC \[pmc.ncbi.nlm.nih.gov\]](https://pubmed.ncbi.nlm.nih.gov)
- [7. Stereocontrolled total synthesis of neuroprotectin D1 / protectin D1 and its aspirin-triggered stereoisomer - PMC \[pmc.ncbi.nlm.nih.gov\]](https://pubmed.ncbi.nlm.nih.gov)
- [8. caymanchem.com \[caymanchem.com\]](https://caymanchem.com)
- [9. Neuroprotectin D1: A docosahexaenoic acid-derived docosatriene protects human retinal pigment epithelial cells from oxidative stress - PMC \[pmc.ncbi.nlm.nih.gov\]](https://pubmed.ncbi.nlm.nih.gov)
- [10. PI3K/Akt and mTOR/p70S6K pathways mediate neuroprotectin D1-induced retinal pigment epithelial cell survival during oxidative stress-induced apoptosis - PubMed \[pubmed.ncbi.nlm.nih.gov\]](https://pubmed.ncbi.nlm.nih.gov)
- [11. medchemexpress.com \[medchemexpress.com\]](https://medchemexpress.com)
- [12. Development of an Optimized LC-MS Method for the Detection of Specialized Pro-Resolving Mediators in Biological Samples - PMC \[pmc.ncbi.nlm.nih.gov\]](https://pubmed.ncbi.nlm.nih.gov)
- [13. Neuroprotectin D1/Protectin D1 Stereoselective and Specific Binding With Human Retinal Pigment Epithelial Cells and Neutrophils - PMC \[pmc.ncbi.nlm.nih.gov\]](https://pubmed.ncbi.nlm.nih.gov)
- [14. Docosahexaenoic Acid-Derived Neuroprotectin D1 Induces Neuronal Survival via Secretase- and PPAR \$\gamma\$ -Mediated Mechanisms in Alzheimer's Disease Models - PMC \[pmc.ncbi.nlm.nih.gov\]](https://pubmed.ncbi.nlm.nih.gov)
- To cite this document: BenchChem. [How to control for batch-to-batch variability of Neuroprotectin D1]. BenchChem, [2026]. [Online PDF]. Available at: [\[https://www.benchchem.com/product/b1255393/docs#how-to-control-for-batch-to-batch-variability-of-neuroprotectin-d1\]](https://www.benchchem.com/product/b1255393/docs#how-to-control-for-batch-to-batch-variability-of-neuroprotectin-d1)

Disclaimer & Data Validity:

The information provided in this document is for Research Use Only (RUO) and is strictly not intended for diagnostic or therapeutic procedures. While BenchChem strives to provide

accurate protocols, we make no warranties, express or implied, regarding the fitness of this product for every specific experimental setup.

Technical Support: The protocols provided are for reference purposes. Unsure if this reagent suits your experiment?

Need Industrial/Bulk Grade? [Request Custom Synthesis Quote](#)

BenchChem

Our mission is to be the trusted global source of essential and advanced chemicals, empowering scientists and researchers to drive progress in science and industry.

Contact

Address: 3281 E Guasti Rd

Ontario, CA 91761, United States

Phone: (601) 213-4426

Email: info@benchchem.com

[Contact our Ph.D. Support Team for a compatibility check](#)