

Application Notes and Protocols for Thiothixene Hydrochloride in Mouse Models

Author: BenchChem Technical Support Team. **Date:** April 2026

Compound of Interest

Compound Name: *Thiothixene hydrochloride*

Cat. No.: *B1246263*

[Get Quote](#)

For Researchers, Scientists, and Drug Development Professionals

These application notes provide a comprehensive guide for the calculation of **thiothixene hydrochloride** dosage in mouse models for preclinical research. This document includes detailed experimental protocols, data presentation in tabular format, and visualizations to facilitate understanding and implementation.

Quantitative Data Summary

The following tables summarize key quantitative data for **thiothixene hydrochloride**, including toxicity and dosages used in various animal models. This information is essential for initial dose range selection in experimental design.

Table 1: Acute Toxicity of Thiothixene

Species	Route of Administration	LD50 Value
Mouse	Oral	203 - 400 mg/kg[1][2]
Rat	Oral	720 mg/kg[2]

Table 2: Reported In Vivo Dosages in Animal Models

Species	Route of Administration	Dosage Range	Study Context
Rat	Oral	5 - 15 mg/kg/day[3][4]	Reproductive Toxicity
Rat	Intraperitoneal	~3.2 mg/kg[5]	Conditioned Avoidance Behavior
Rabbit	Oral	3 - 50 mg/kg/day[3][4]	Reproductive Toxicity
Monkey	Oral	1 - 3 mg/kg/day[3][4]	Reproductive Toxicity

Dosage Calculation for Mouse Models

Allometric Scaling

Allometric scaling is a method used to estimate equivalent drug doses across different species based on body surface area. This is a common practice in preclinical research to translate dosages from larger animals to smaller ones, such as mice.[6][7] The following formula can be used:

$$\text{Mouse Dose (mg/kg)} = \text{Rat Dose (mg/kg)} \times (\text{Rat Km} / \text{Mouse Km})$$

Where:

- Km is a conversion factor calculated as Body Weight (kg) / Body Surface Area (m²).
- Rat Km is approximately 6.
- Mouse Km is approximately 3.

Example Calculation:

Using a reported oral dose in rats of 10 mg/kg:

$$\text{Mouse Dose (mg/kg)} = 10 \text{ mg/kg} \times (6 / 3) = 20 \text{ mg/kg}$$

Based on this, a starting point for oral administration in mice could be in the range of 10-30 mg/kg. It is crucial to perform a dose-response study to determine the optimal dose for the specific experimental model and desired effect.

Experimental Protocols

Preparation of Thiothixene Hydrochloride Solution

Materials:

- **Thiothixene hydrochloride** powder
- Sterile, distilled water or 0.9% sterile saline
- Vortex mixer
- Sterile microcentrifuge tubes or vials

Protocol:

- Calculate the required amount of **thiothixene hydrochloride** based on the desired final concentration and volume.
- Weigh the **thiothixene hydrochloride** powder accurately.
- In a sterile tube or vial, add the appropriate volume of sterile water or saline.
- Gradually add the **thiothixene hydrochloride** powder to the solvent while vortexing.
- Continue to vortex until the powder is completely dissolved. **Thiothixene hydrochloride** is soluble in water.[3]
- Visually inspect the solution to ensure it is clear and free of particulates.
- Store the prepared solution appropriately, protected from light. For short-term use, refrigeration at 2-8°C is recommended.

For poorly soluble formulations (if not using the hydrochloride salt):

For thiothixene base or other forms with low water solubility, a suspension can be prepared. A common vehicle is 0.5% carboxymethylcellulose (CMC) in water. Alternatively, a solution using a co-solvent system such as DMSO:Tween 80:Saline (e.g., in a 10:5:85 ratio) can be used for intraperitoneal injections.[8]

Administration Routes

Two common routes of administration for **thiothixene hydrochloride** in mice are oral gavage and intraperitoneal injection.

Materials:

- Prepared **thiothixene hydrochloride** solution
- Appropriately sized oral gavage needle (typically 20-22 gauge, 1-1.5 inches long with a ball tip for mice)
- Syringe (1 mL)

Protocol:

- Accurately weigh the mouse to determine the correct volume of the drug solution to administer.
- Draw the calculated volume of the **thiothixene hydrochloride** solution into the syringe.
- Gently restrain the mouse, ensuring the head and body are in a straight line to facilitate passage of the gavage needle.
- Insert the gavage needle into the diastema (the gap between the incisors and molars) and gently advance it along the roof of the mouth towards the esophagus.
- Allow the mouse to swallow the needle. Do not force the needle.
- Once the needle is in the esophagus, slowly administer the solution.
- Gently remove the gavage needle.

- Monitor the mouse for any signs of distress or adverse reactions.

Materials:

- Prepared **thiothixene hydrochloride** solution
- Sterile syringe (1 mL)
- Sterile needle (typically 25-27 gauge)

Protocol:

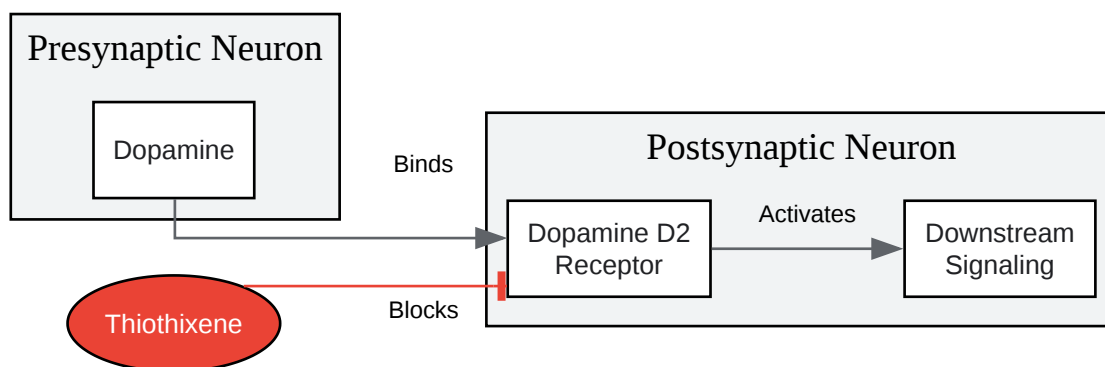
- Accurately weigh the mouse to determine the correct volume of the drug solution to administer.
- Draw the calculated volume of the **thiothixene hydrochloride** solution into the syringe.
- Position the mouse to expose the abdomen. The mouse can be tilted slightly with its head down.
- Insert the needle into the lower right or left quadrant of the abdomen, avoiding the midline to prevent damage to the bladder or cecum. The needle should be inserted at a 15-20 degree angle.
- Gently aspirate to ensure no fluid (e.g., blood, urine) is drawn into the syringe, which would indicate incorrect placement.
- If the aspiration is clear, slowly inject the solution.
- Withdraw the needle and return the mouse to its cage.
- Monitor the mouse for any signs of distress, irritation, or adverse reactions.

Signaling Pathway and Experimental Workflow

Thiothixene Mechanism of Action

Thiothixene primarily exerts its antipsychotic effects by acting as an antagonist at dopamine D2 receptors in the central nervous system. By blocking these receptors, it modulates dopamine

signaling, which is often dysregulated in conditions like schizophrenia.

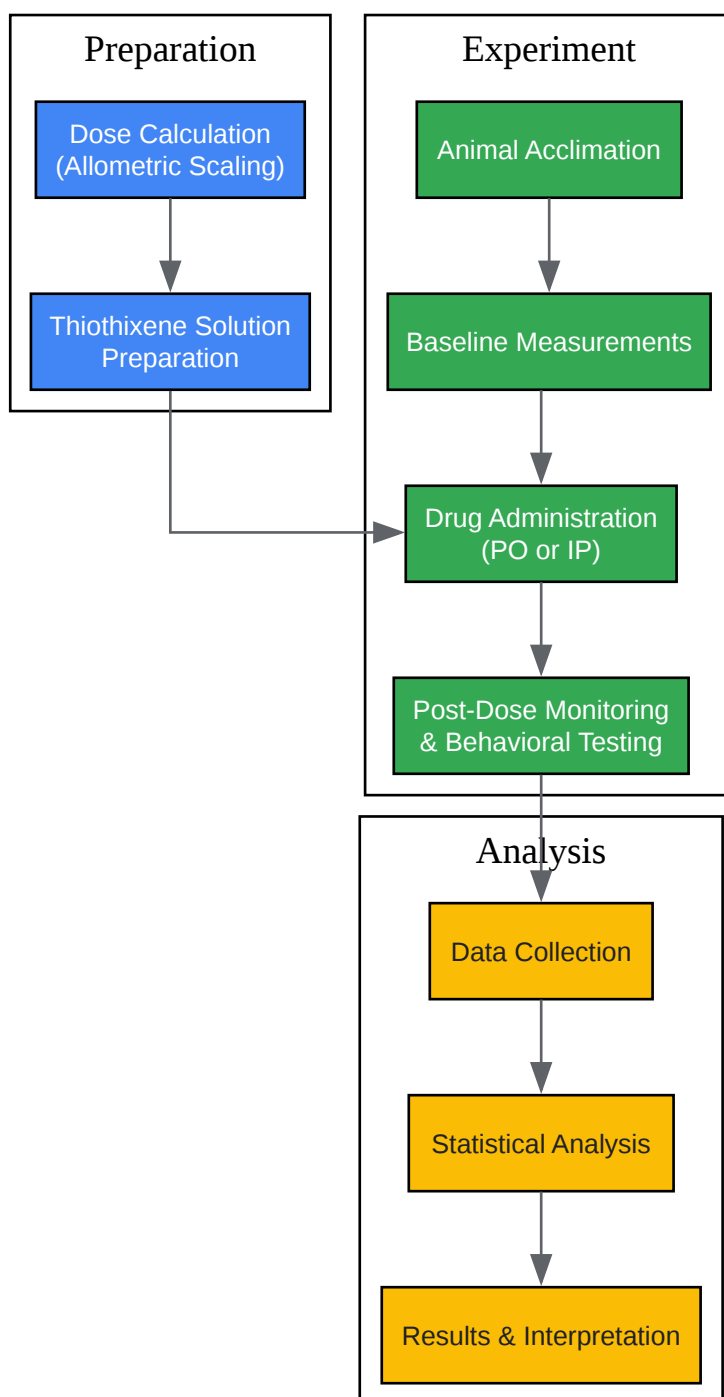


[Click to download full resolution via product page](#)

Caption: Mechanism of action of Thiothixene as a Dopamine D2 receptor antagonist.

Experimental Workflow for In Vivo Mouse Study

The following diagram outlines a typical workflow for conducting an in vivo study with thiothixene in a mouse model.



[Click to download full resolution via product page](#)

Caption: A typical experimental workflow for in vivo mouse studies with thiothixene.

Need Custom Synthesis?

BenchChem offers custom synthesis for rare earth carbides and specific isotopic labeling.

Email: info@benchchem.com or [Request Quote Online](#).

References

- [1. pdf.hres.ca \[pdf.hres.ca\]](#)
- [2. cdn.pfizer.com \[cdn.pfizer.com\]](#)
- [3. Thiothixene | C23H29N3O2S2 | CID 941651 - PubChem \[pubchem.ncbi.nlm.nih.gov\]](#)
- [4. accessdata.fda.gov \[accessdata.fda.gov\]](#)
- [5. pdf.hres.ca \[pdf.hres.ca\]](#)
- [6. Conversion between animals and human \[targetmol.com\]](#)
- [7. allucent.com \[allucent.com\]](#)
- [8. Thiothixene HCl | CAS#: 49746-04-5 | antipsychotic agent | InvivoChem \[invivochem.com\]](#)
- To cite this document: BenchChem. [Application Notes and Protocols for Thiothixene Hydrochloride in Mouse Models]. BenchChem, [2026]. [Online PDF]. Available at: [\[https://www.benchchem.com/product/b1246263/docs#application-notes-and-protocols-for-thiothixene-hydrochloride-in-mouse-models\]](https://www.benchchem.com/product/b1246263/docs#application-notes-and-protocols-for-thiothixene-hydrochloride-in-mouse-models)

Disclaimer & Data Validity:

The information provided in this document is for Research Use Only (RUO) and is strictly not intended for diagnostic or therapeutic procedures. While BenchChem strives to provide accurate protocols, we make no warranties, express or implied, regarding the fitness of this product for every specific experimental setup.

Technical Support: The protocols provided are for reference purposes. Unsure if this reagent suits your experiment?

Need Industrial/Bulk Grade? [Request Custom Synthesis Quote](#)

BenchChem

Our mission is to be the trusted global source of essential and advanced chemicals, empowering scientists and researchers to drive progress in science and industry.

Contact

Address: 3281 E Guasti Rd

Ontario, CA 91761, United States

Phone: (601) 213-4426

Email: info@benchchem.com

[Contact our Ph.D. Support Team for a compatibility check](#)