

Application Notes and Protocols for Testing NBD-14189 Activity

Author: BenchChem Technical Support Team. **Date:** April 2026

Compound of Interest

Compound Name: NBD-14189

Cat. No.: B12425136

[Get Quote](#)

For Researchers, Scientists, and Drug Development Professionals

These application notes provide a comprehensive guide to cellular and biochemical assays for characterizing the anti-HIV-1 activity of **NBD-14189**, a dual inhibitor targeting both viral entry and reverse transcription. Detailed protocols, data presentation guidelines, and visual representations of the underlying mechanisms and workflows are included to facilitate robust and reproducible testing.

Mechanism of Action

NBD-14189 exhibits a dual mechanism of action against HIV-1. It functions as an entry inhibitor by binding to the gp120 envelope glycoprotein, preventing its interaction with the host cell's CD4 receptor.[1][2] Additionally, **NBD-14189** inhibits the viral enzyme reverse transcriptase (RT), which is essential for converting the viral RNA genome into DNA.[1][2] This dual activity makes **NBD-14189** a potent and promising anti-HIV-1 compound. The binding of **NBD-14189** to HIV-1 RT has been confirmed by X-ray crystallography.[2]

Data Presentation

The following tables summarize the reported in vitro activity of **NBD-14189** and related compounds.

Table 1: Antiviral Activity of **NBD-14189** Against Various HIV-1 Strains

HIV-1 Strain/Isolate	Assay Type	Cell Line	Parameter	Value (μM)	Reference
HIV-1 HXB2	Single-cycle infectivity	TZM-bl	IC50	0.089	N/A
HIV-1 HXB2	Multi-cycle infectivity	MT-2	IC50	0.18	N/A
HIV-1 Clinical Isolates (Panel)	Pseudovirus infectivity	TZM-bl	EC50	<0.2	N/A
HIV-1 HXB-2 (A204D mutant)	Pseudovirus infectivity	TZM-bl	IC50	5-fold increase vs. WT	[2]
HIV-1 (I424F mutant)	Pseudovirus infectivity	TZM-bl	IC50	7-fold increase vs. WT	[2]

Table 2: Cytotoxicity of **NBD-14189**

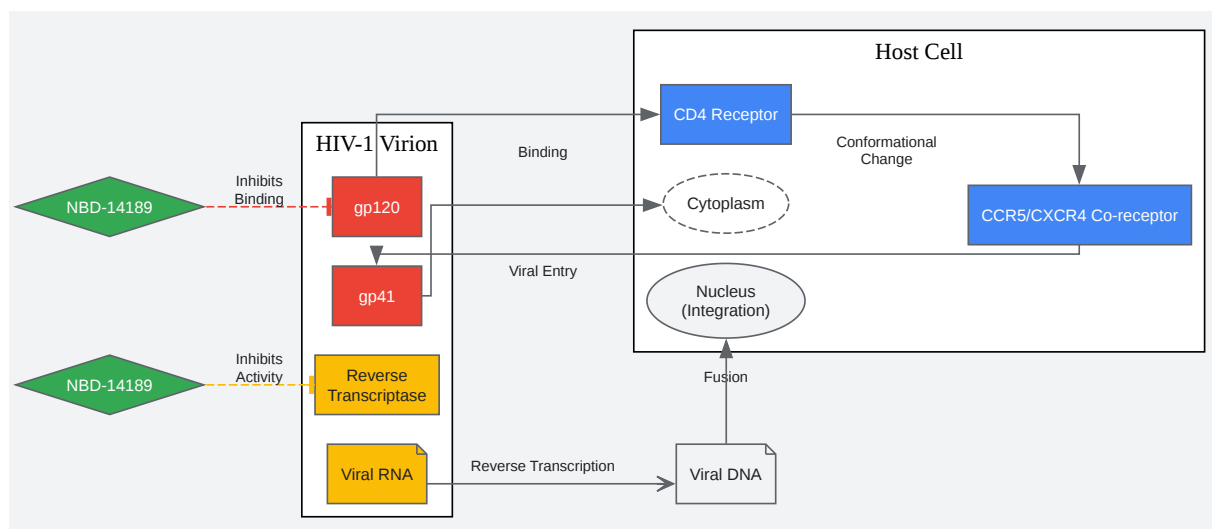
Cell Line	Assay Type	Parameter	Value (μM)	Reference
TZM-bl	Single-cycle assay	CC50	21.9	N/A
MT-2	Multi-cycle assay	CC50	22.1	N/A
PHA-stimulated PBMCs	Antiviral assay	CC50	~3-fold less potent than BMS-626529	[2]

Table 3: HIV-1 Reverse Transcriptase Inhibition by **NBD-14189** and Related Compounds

Compound	Parameter	Value (μM)	Reference
NBD-14189	Enzymatic Assay	-	[2]
NBD-14204	IC50	8.3 ± 1.2	N/A
NBD-14208	IC50	5 ± 0.5	N/A

Note: Specific binding affinity values (Kd) for **NBD-14189** to gp120 and reverse transcriptase were not publicly available at the time of this document's creation. However, related NBD compounds like NBD-556 have been shown to bind gp120 with low micromolar affinity as determined by Isothermal Titration Calorimetry (ITC).[3][4]

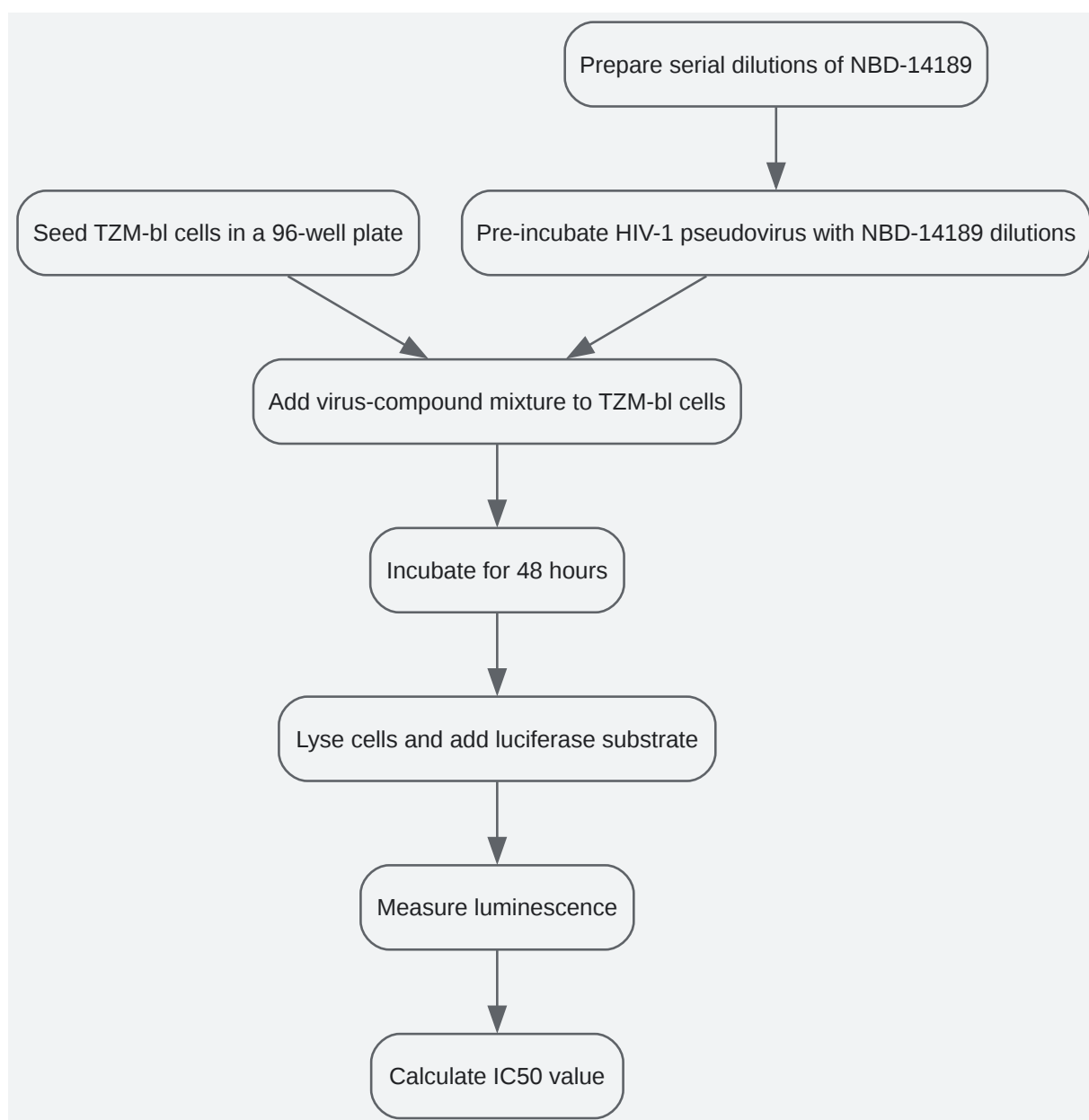
Signaling Pathways and Experimental Workflows

 Diagram 1: HIV-1 Entry and Reverse Transcription Inhibition by **NBD-14189**


[Click to download full resolution via product page](#)

Caption: Dual inhibition of HIV-1 by **NBD-14189**.

Diagram 2: Workflow for Single-Cycle Infectivity Assay (TZM-bl)



[Click to download full resolution via product page](#)

Need Custom Synthesis?

BenchChem offers custom synthesis for rare earth carbides and specific isotopic labeling.

Email: info@benchchem.com or [Request Quote Online](#).

References

- [1. medkoo.com \[medkoo.com\]](https://www.medkoo.com)
- [2. Comparative Pharmacokinetics of a Dual Inhibitor of HIV-1, NBD-14189, in Rats and Dogs with a Proof-of-Concept Evaluation of Antiviral Potency in SCID-hu Mouse Model - PMC \[pmc.ncbi.nlm.nih.gov\]](#)
- [3. Crystal Structures of HIV-1 gp120 Envelope Glycoprotein in Complex with NBD Analogues That Target the CD4-Binding Site - PMC \[pmc.ncbi.nlm.nih.gov\]](#)
- [4. Binding Thermodynamics of a Small-Molecular-Weight CD4 Mimetic to HIV-1 gp120 - PMC \[pmc.ncbi.nlm.nih.gov\]](#)
- To cite this document: BenchChem. [Application Notes and Protocols for Testing NBD-14189 Activity]. BenchChem, [2026]. [Online PDF]. Available at: [\[https://www.benchchem.com/product/b12425136/docs#application-notes-and-protocols-for-testing-nbd-14189-activity\]](https://www.benchchem.com/product/b12425136/docs#application-notes-and-protocols-for-testing-nbd-14189-activity)

Disclaimer & Data Validity:

The information provided in this document is for Research Use Only (RUO) and is strictly not intended for diagnostic or therapeutic procedures. While BenchChem strives to provide accurate protocols, we make no warranties, express or implied, regarding the fitness of this product for every specific experimental setup.

Technical Support: The protocols provided are for reference purposes. Unsure if this reagent suits your experiment?

Need Industrial/Bulk Grade? [Request Custom Synthesis Quote](#)

BenchChem

Our mission is to be the trusted global source of essential and advanced chemicals, empowering scientists and researchers to drive progress in science and industry.

Contact

Address: 3281 E Guasti Rd
Ontario, CA 91761, United States
Phone: (601) 213-4426
Email: info@benchchem.com

[Contact our Ph.D. Support Team for a compatibility check](#)