

Assessing the Binding Affinity of Cy5-Conjugated Ligands: A Comparative Guide

Author: BenchChem Technical Support Team. **Date:** April 2026

Compound of Interest

Compound Name: *Cy5-PEG5-amine hydrochloride*

Cat. No.: *B12420199*

[Get Quote](#)

For Researchers, Scientists, and Drug Development Professionals

The accurate determination of binding affinity is a cornerstone of drug discovery and molecular interaction studies. Cyanine 5 (Cy5), a widely used fluorescent dye, enables the sensitive detection of ligand-receptor binding. This guide provides a comprehensive comparison of key methodologies for assessing the binding affinity of Cy5-conjugated ligands, offering insights into their principles, experimental protocols, and data outputs. We also present a comparison of Cy5 with popular alternative fluorophores to aid in experimental design.

Comparison of Binding Affinity Assessment Techniques

Choosing the appropriate technique to measure the binding affinity of a Cy5-conjugated ligand depends on several factors, including the nature of the interacting molecules, the required throughput, and the desired level of thermodynamic information. The three most common and powerful techniques are Fluorescence Polarization (FP), Surface Plasmon Resonance (SPR), and Isothermal Titration Calorimetry (ITC).

Feature	Fluorescence Polarization (FP)	Surface Plasmon Resonance (SPR)	Isothermal Titration Calorimetry (ITC)
Principle	Measures the change in the tumbling rate of a fluorescently labeled ligand upon binding to a larger molecule.	Detects changes in the refractive index at a sensor surface as an analyte binds to an immobilized ligand.	Measures the heat released or absorbed during a binding event.
Labeling Requirement	Fluorescent label (e.g., Cy5) on the ligand is essential.	Label-free, although the ligand is immobilized on a sensor chip.	Label-free.
Throughput	High (suitable for 96- and 384-well plates).	Medium to high, depending on the instrument.	Low to medium.
Sample Consumption	Low.	Low to medium.	High.
Data Output	Equilibrium dissociation constant (Kd).	Association rate (ka), dissociation rate (kd), and equilibrium dissociation constant (Kd).	Equilibrium dissociation constant (Kd), stoichiometry (n), enthalpy (ΔH), and entropy (ΔS).
Key Advantages	Homogeneous assay, simple mix-and-read format, high throughput.	Real-time kinetics, label-free, high sensitivity.	Provides a complete thermodynamic profile of the interaction, label-free.
Key Limitations	Requires a significant size difference between ligand and receptor; potential for interference from fluorescent compounds.	Requires immobilization of one binding partner, which may affect its activity; potential for mass transport limitations.	High sample consumption; sensitive to buffer mismatches and heats of dilution.

While direct head-to-head comparisons of the binding affinity of the same Cy5-conjugated ligand measured by all three techniques are not extensively available in the literature, studies on similar systems have shown that the obtained K_d values are generally in good agreement. For instance, a study comparing fluorescence anisotropy (a technique closely related to FP) and ITC for a T-cell receptor-peptide/MHC interaction reported a K_d of 0.4 μM and 0.3 μM , respectively, which were slightly tighter than the 1-2 μM affinity measured by SPR[1]. It is important to note that slight variations between techniques can arise due to differences in experimental conditions and the inherent principles of each method.

Alternatives to Cy5 for Ligand Conjugation

While Cy5 is a versatile and widely used fluorophore, several alternatives offer enhanced photophysical properties that can be advantageous in binding assays. The choice of fluorophore can impact the signal-to-noise ratio, photostability, and overall performance of the assay.

Fluorophore	Excitation Max (nm)	Emission Max (nm)	Molar Extinction Coefficient ($\text{cm}^{-1}\text{M}^{-1}$)	Quantum Yield	Relative Brightness	Key Features
Cy5	~649	~670	250,000	~0.27	+++	Well-characterized, widely used.
Alexa Fluor 647	650	665	239,000	0.33	++++	Very bright, highly photostable, pH-insensitive[2].
DyLight 650	~652	~672	250,000	Not explicitly stated, but described as "high"	+++	Generally considered more photostable than Cy5.
iFluor 647	654	670	250,000	0.25	+++	Spectrally similar to Cy5 with good performance[3][4].

Brightness is a product of the molar extinction coefficient and quantum yield and is presented here as a relative comparison.

Experimental Protocols

Detailed and optimized protocols are crucial for obtaining reliable and reproducible binding affinity data. Below are step-by-step guides for each of the discussed techniques when working

with Cy5-conjugated ligands.

Fluorescence Polarization (FP) Assay

This protocol outlines the steps for a direct binding assay to determine the equilibrium dissociation constant (K_d).

Materials:

- Cy5-conjugated ligand (tracer)
- Purified receptor in a suitable buffer
- Assay buffer (e.g., PBS with 0.1% BSA)
- Microplate reader with fluorescence polarization capabilities
- Black, low-binding microplates (e.g., 384-well)

Procedure:

- Determine Optimal Tracer Concentration:
 - Prepare a serial dilution of the Cy5-conjugated ligand in the assay buffer.
 - Measure the fluorescence polarization of each concentration.
 - Select the lowest concentration that gives a stable and sufficient fluorescence signal (typically at least 3-fold above the buffer background). This concentration should ideally be well below the expected K_d .
- Receptor Titration:
 - Prepare a serial dilution of the receptor in the assay buffer.
 - In the microplate, add a fixed concentration of the Cy5-conjugated ligand to each well.
 - Add the varying concentrations of the receptor to the wells. Include control wells with only the tracer (for minimum polarization) and buffer alone (for background).

- Incubate the plate at a constant temperature for a sufficient time to reach binding equilibrium (this should be determined empirically, e.g., 30-60 minutes).
- Measurement:
 - Measure the fluorescence polarization (in millipolarization units, mP) of each well using the microplate reader. Ensure the reader is set to the appropriate excitation and emission wavelengths for Cy5 (e.g., 649 nm excitation, 670 nm emission).
- Data Analysis:
 - Subtract the background fluorescence from all measurements.
 - Plot the change in fluorescence polarization as a function of the receptor concentration.
 - Fit the data to a one-site binding model using non-linear regression analysis to determine the K_d .

Surface Plasmon Resonance (SPR) Analysis

This protocol describes a typical workflow for measuring the binding kinetics of a Cy5-conjugated ligand to an immobilized receptor.

Materials:

- SPR instrument and sensor chips (e.g., CM5)
- Purified receptor for immobilization
- Cy5-conjugated ligand (analyte)
- Immobilization buffers (e.g., sodium acetate, pH 4.5)
- Amine coupling reagents (e.g., EDC, NHS)
- Running buffer (e.g., HBS-EP+)
- Regeneration solution (e.g., glycine-HCl, pH 2.0)

Procedure:

- Ligand (Receptor) Immobilization:
 - Activate the sensor chip surface using a mixture of EDC and NHS.
 - Inject the purified receptor over the activated surface to achieve the desired immobilization level. The optimal level depends on the molecular weights of the interacting partners and should be determined empirically to avoid mass transport limitations.
 - Deactivate any remaining active esters on the surface with an injection of ethanolamine.
- Analyte (Cy5-Ligand) Binding:
 - Prepare a series of dilutions of the Cy5-conjugated ligand in the running buffer.
 - Inject the different concentrations of the analyte over the immobilized receptor surface at a constant flow rate. Include a zero-concentration (buffer only) injection for baseline subtraction.
 - Monitor the association phase in real-time as the analyte binds to the ligand.
 - After the association phase, switch to running buffer to monitor the dissociation of the analyte-ligand complex.
- Surface Regeneration:
 - After each binding cycle, inject the regeneration solution to remove the bound analyte and prepare the surface for the next injection. The regeneration conditions should be optimized to ensure complete removal of the analyte without damaging the immobilized ligand.
- Data Analysis:
 - Subtract the reference channel signal and the buffer-only injection signal from the raw data.
 - Fit the association and dissociation curves to a suitable binding model (e.g., 1:1 Langmuir binding) to determine the association rate constant (k_a), dissociation rate constant (k_d),

and the equilibrium dissociation constant ($K_d = k_d/k_a$).

Isothermal Titration Calorimetry (ITC)

This protocol provides a general procedure for determining the thermodynamic parameters of the interaction between a Cy5-conjugated ligand and a receptor.

Materials:

- Isothermal titration calorimeter
- Purified receptor in a suitable buffer
- Cy5-conjugated ligand in the same buffer
- Degassing station

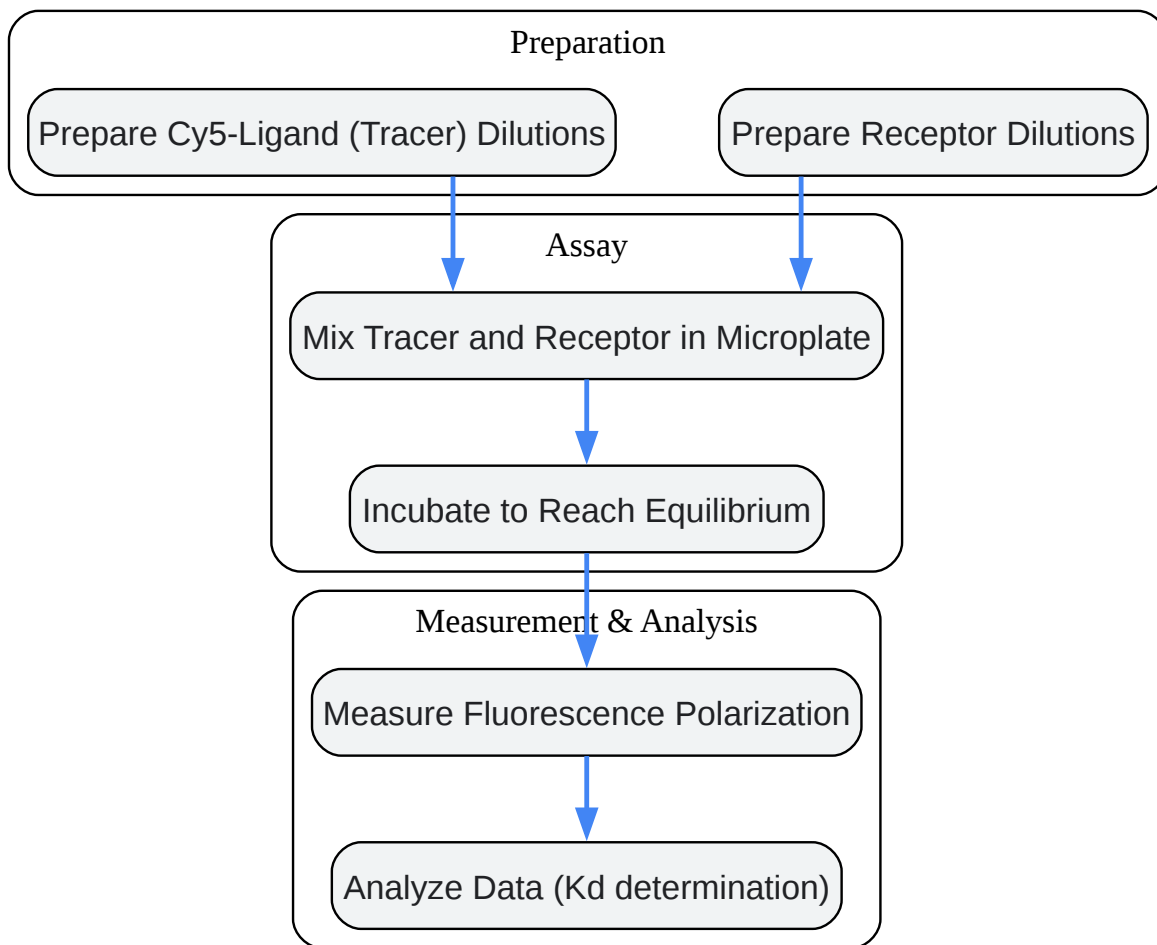
Procedure:

- Sample Preparation:
 - Prepare the receptor and the Cy5-conjugated ligand in the exact same, degassed buffer to minimize heats of dilution. The concentration of the ligand in the syringe should typically be 10-20 times higher than the concentration of the receptor in the sample cell. Optimal concentrations depend on the expected binding affinity.
- Instrument Setup:
 - Thoroughly clean the sample cell and the injection syringe.
 - Load the receptor solution into the sample cell and the Cy5-conjugated ligand solution into the injection syringe.
 - Equilibrate the system to the desired temperature.
- Titration:
 - Perform a series of small, sequential injections of the ligand into the sample cell while stirring.

- Measure the heat change associated with each injection. The magnitude of the heat change will decrease as the receptor becomes saturated with the ligand.
- Data Analysis:
 - Integrate the heat flow peaks for each injection.
 - Plot the heat change per mole of injectant against the molar ratio of ligand to receptor.
 - Fit the resulting isotherm to a suitable binding model to determine the equilibrium dissociation constant (K_d), the stoichiometry of binding (n), and the enthalpy of binding (ΔH). The Gibbs free energy (ΔG) and entropy (ΔS) can then be calculated using the equation: $\Delta G = -RT\ln(1/K_d) = \Delta H - T\Delta S$.

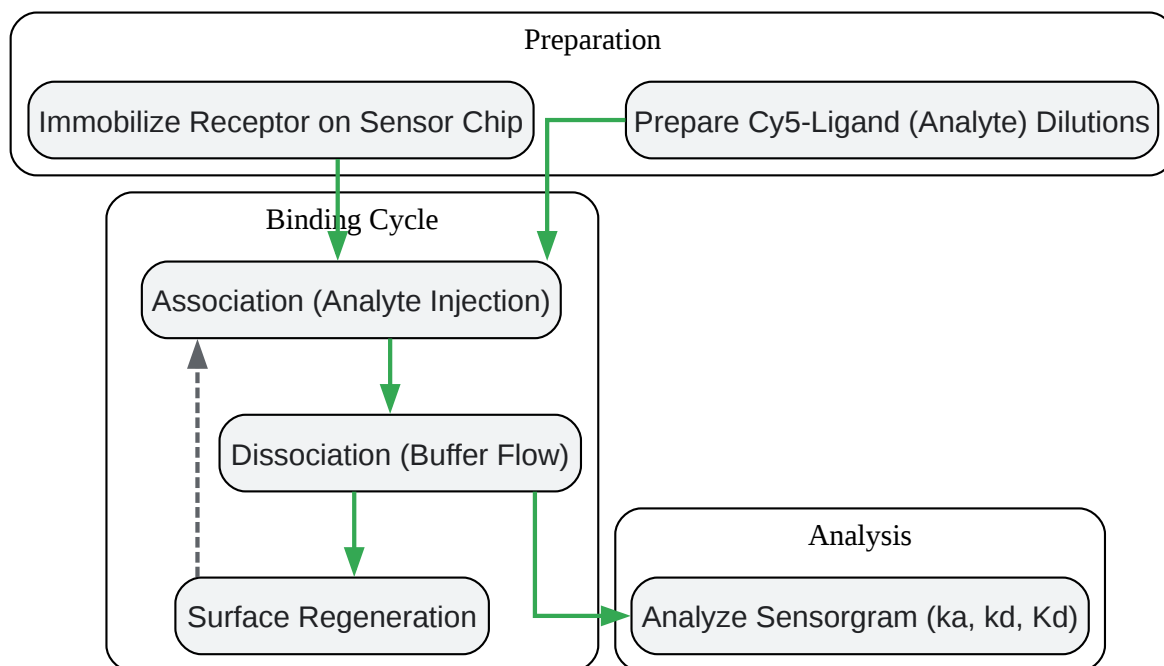
Visualizing Experimental Workflows and Logic

Diagrams created using Graphviz (DOT language) can effectively illustrate the experimental workflows and the logical relationships between different techniques.



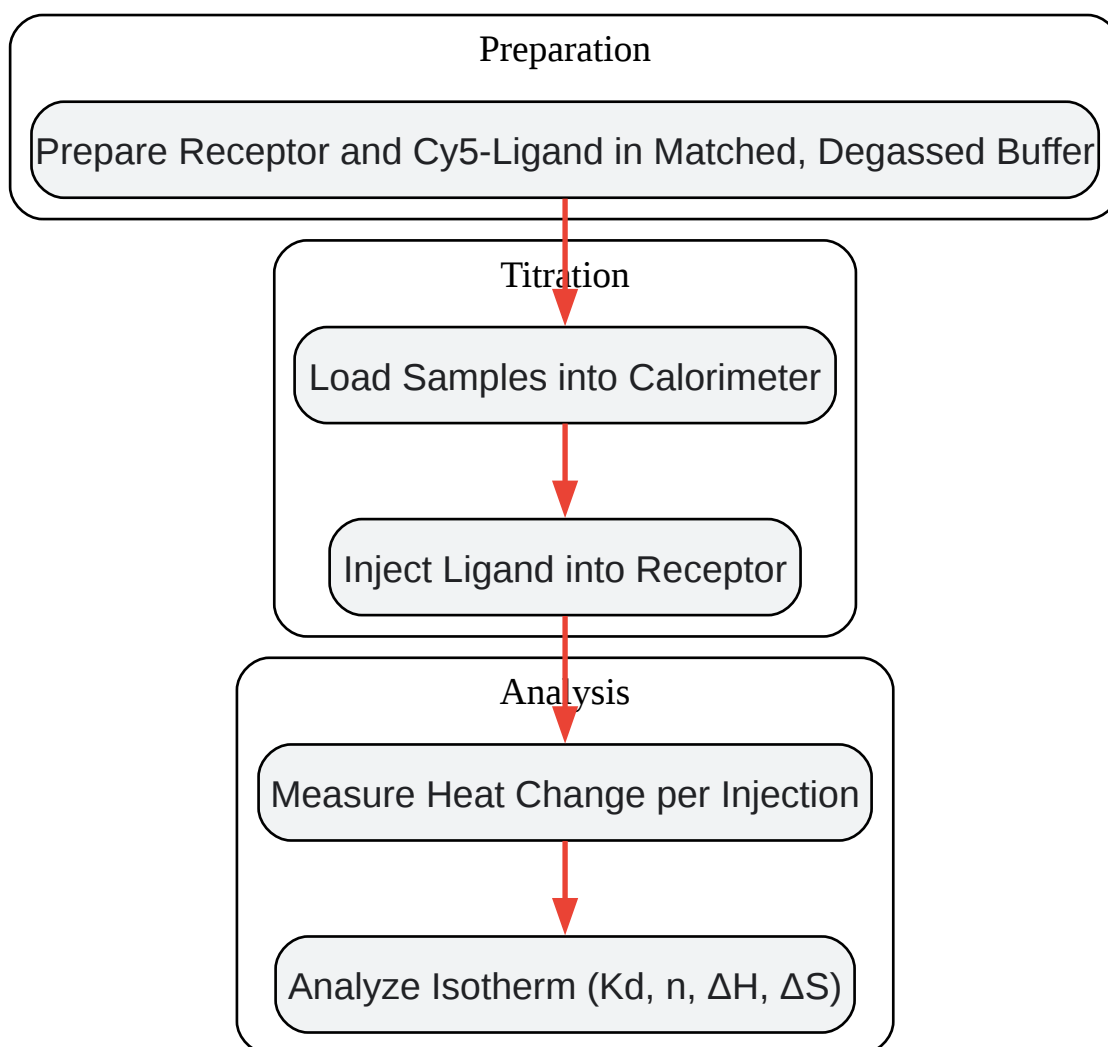
[Click to download full resolution via product page](#)

Caption: Fluorescence Polarization (FP) experimental workflow.



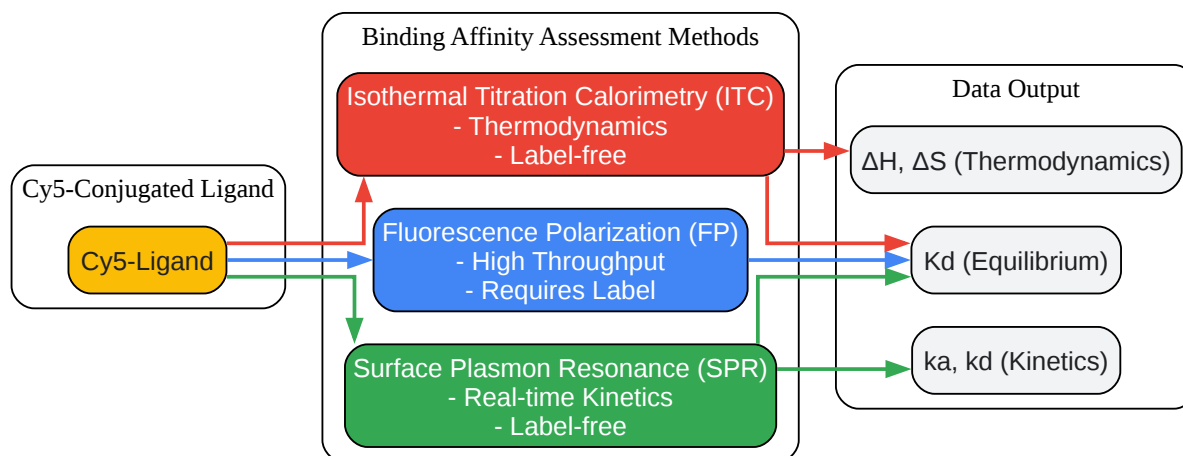
[Click to download full resolution via product page](#)

Caption: Surface Plasmon Resonance (SPR) experimental workflow.



[Click to download full resolution via product page](#)

Caption: Isothermal Titration Calorimetry (ITC) workflow.



[Click to download full resolution via product page](#)

Caption: Comparison of binding affinity assessment methods.

Need Custom Synthesis?

BenchChem offers custom synthesis for rare earth carbides and specific isotopic labeling.

Email: info@benchchem.com or [Request Quote Online](#).

References

- 1. Methods for quantifying T cell receptor binding affinities and thermodynamics - PMC [pmc.ncbi.nlm.nih.gov]
- 2. FluoroFinder [app.fluorofinder.com]
- 3. FluoroFinder [app.fluorofinder.com]
- 4. AAT Bioquest: iFluor™ 647 Dyes, Excellent Replacements for Cy5®, DyLight™ 650 and Alexa Fluor® 647 Dyes [aatbioquest.blogspot.com]
- To cite this document: BenchChem. [Assessing the Binding Affinity of Cy5-Conjugated Ligands: A Comparative Guide]. BenchChem, [2026]. [Online PDF]. Available at:

[\[https://www.benchchem.com/product/b12420199/docs#assessing-the-binding-affinity-of-cy5-conjugated-ligands-a-comparative-guide\]](https://www.benchchem.com/product/b12420199/docs#assessing-the-binding-affinity-of-cy5-conjugated-ligands-a-comparative-guide)

Disclaimer & Data Validity:

The information provided in this document is for Research Use Only (RUO) and is strictly not intended for diagnostic or therapeutic procedures. While BenchChem strives to provide accurate protocols, we make no warranties, express or implied, regarding the fitness of this product for every specific experimental setup.

Technical Support: The protocols provided are for reference purposes. Unsure if this reagent suits your experiment?

Need Industrial/Bulk Grade? [Request Custom Synthesis Quote](#)

BenchChem

Our mission is to be the trusted global source of essential and advanced chemicals, empowering scientists and researchers to drive progress in science and industry.

Contact

Address: 3281 E Guasti Rd
Ontario, CA 91761, United States
Phone: (601) 213-4426
Email: info@benchchem.com

[Contact our Ph.D. Support Team for a compatibility check](#)