

Navigating the Kinome: A Comparative Guide to PI5P4K Inhibitor Selectivity

Author: BenchChem Technical Support Team. **Date:** April 2026

Compound of Interest

Compound Name: PI5P4Ks-IN-1

Cat. No.: B12410290

[Get Quote](#)

For researchers, scientists, and drug development professionals, understanding the precise interactions of kinase inhibitors is paramount. This guide provides a comparative analysis of the cross-reactivity of phosphatidylinositol 5-phosphate 4-kinase (PI5P4K) inhibitors, with a focus on providing clear, data-driven insights for informed decision-making in drug discovery and chemical biology.

The PI5P4K family, comprising isoforms α , β , and γ , plays a crucial role in cellular signaling pathways, making them attractive therapeutic targets for a range of diseases, including cancer and immunological disorders.[1][2] However, the high degree of conservation within the ATP-binding site of kinases presents a significant challenge in developing selective inhibitors.[3] This guide delves into the kinome-wide profiling of PI5P4K inhibitors, offering a clear comparison of their on-target potency and off-target effects.

Quantitative Comparison of PI5P4K Inhibitor Activity

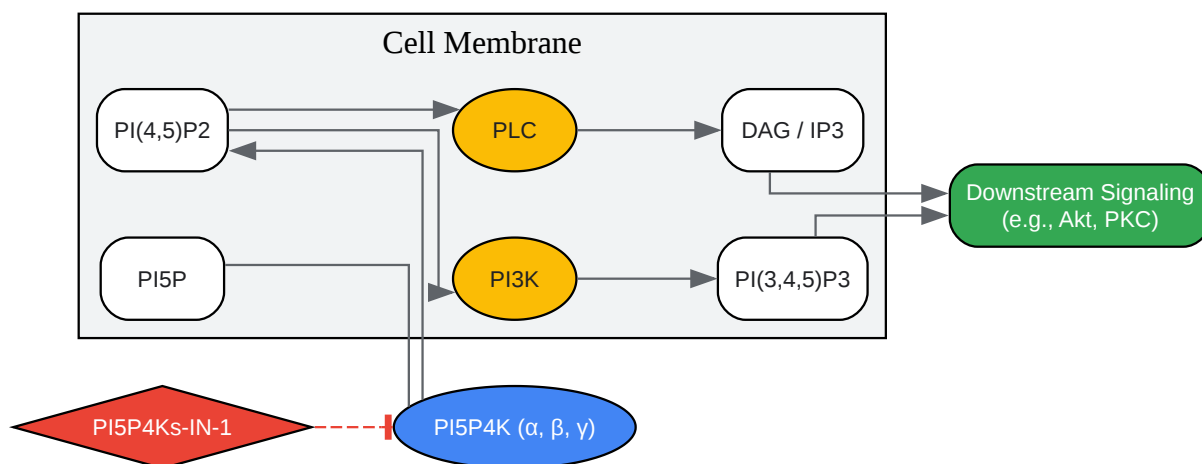
The development of selective PI5P4K inhibitors is an active area of research. Several compounds have been identified and characterized for their potency and selectivity against the different PI5P4K isoforms. The following table summarizes the inhibitory activities of selected PI5P4K inhibitors.

Inhibitor	Target Isoform	pIC50	IC50	K _D / K _i	Selectivity Notes	Reference
PI5P4Ks-IN-2 (compound 40)	PI5P4K α	< 4.3	> 50 μ M	> 30 μ M	Over 400-fold isotype selectivity for PI5P4Ky.	[4] [2]
PI5P4K β	< 4.6	> 25 μ M	> 30,000 nM			
PI5P4Ky	6.2	630 nM	68 nM			
NIH-12848	PI5P4Ky	-	1 μ M	-	Selective for PI5P4Ky. Binds to the PI5P-binding site.	
CC260	PI5P4K α	-	40 nM	-	Dual inhibitor of PI5P4K α and PI5P4K β .	
PI5P4K β	-	30 nM	-			
PI5P4Ky	-	800 nM	-			
THZ-P1-2 (covalent)	PI5P4Ky	-	-	4.8 nM	Pan-PI5P4K inhibitor with significant PI5P4Ky inhibition.	

"compound 30"	PI5P4K α	-	1.3 μ M	-	Pan-PI5P4K inhibitor.
PI5P4K β	-	9.9 μ M	-		
PI5P4K γ	-	(22% inhibition at 1 μ M)	-		

Signaling Pathway and Inhibition

The PI5P4K enzymes are critical regulators of phosphoinositide metabolism. They catalyze the phosphorylation of phosphatidylinositol 5-phosphate (PI5P) to produce phosphatidylinositol 4,5-bisphosphate (PI(4,5)P₂). This product is a key signaling molecule that serves as a precursor for other important second messengers like diacylglycerol (DAG) and inositol triphosphate (IP₃), and is also a substrate for PI3K to generate PI(3,4,5)P₃. These pathways regulate a multitude of cellular processes, including cell growth, proliferation, and survival.



[Click to download full resolution via product page](#)

PI5P4K signaling and the point of inhibition.

Experimental Protocols for Kinome Profiling

Accurate assessment of inhibitor selectivity is crucial. Various high-throughput screening methods are employed to profile the activity of inhibitors against a broad panel of kinases.

Biochemical Kinase Assay (e.g., ADP-Glo™ Kinase Assay)

This assay is a common method for quantifying kinase activity and inhibitor potency. The selectivity of PI5P4Ks-IN-2 was determined using such a luminescence-based assay.

Principle: The assay measures the amount of ADP produced during the kinase reaction. The quantity of ADP is directly proportional to the kinase activity, and therefore, a decrease in ADP production in the presence of an inhibitor indicates its potency.

Methodology:

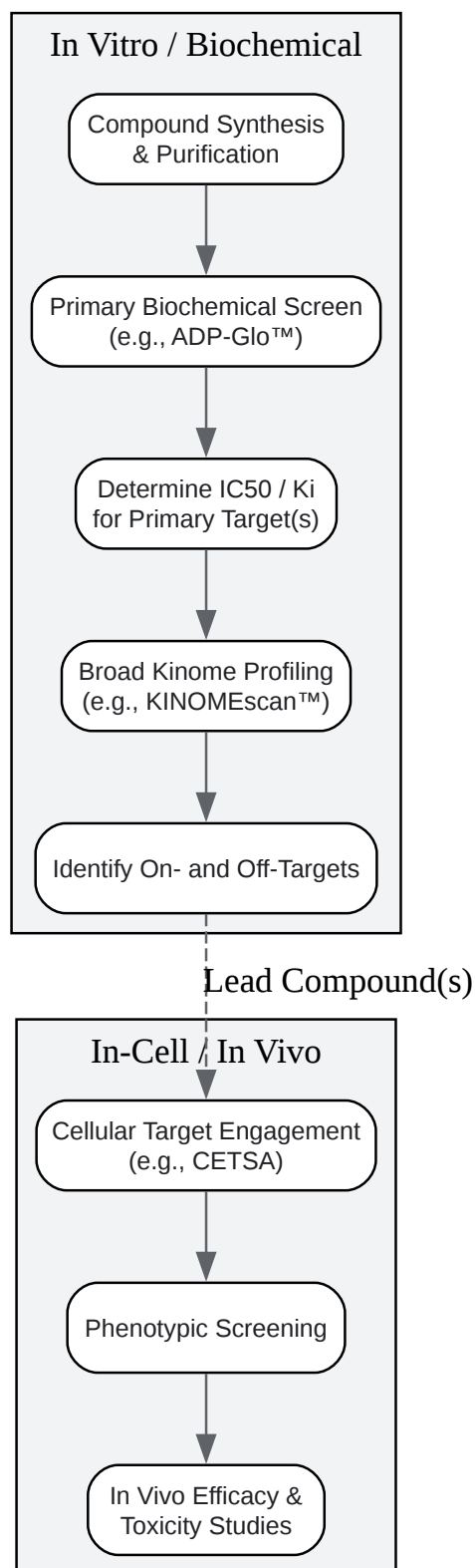
- **Reaction Setup:** Recombinant full-length human PI5P4K α , PI5P4K β , or PI5P4K γ is incubated with the lipid substrate, phosphatidylinositol 5-phosphate (PI(5)P), and ATP in a reaction buffer. The inhibitor of interest (e.g., PI5P4Ks-IN-2) is added at varying concentrations.
- **Kinase Reaction:** The reaction is allowed to proceed for a specific time at a controlled temperature, during which the kinase transfers the gamma-phosphate from ATP to the substrate, producing ADP.
- **ADP-Glo™ Reagent Addition:** The ADP-Glo™ Reagent is added to terminate the kinase reaction and deplete the remaining ATP.
- **Kinase Detection Reagent:** The Kinase Detection Reagent is then added. This reagent contains enzymes that convert ADP to ATP and a luciferase/luciferin system that generates a luminescent signal proportional to the amount of ADP produced in the initial kinase reaction.
- **Signal Detection:** The luminescence is measured using a plate-reading luminometer. The signal is inversely correlated with the inhibitor's potency.
- **Data Analysis:** The IC₅₀ values are calculated by plotting the luminescence signal against the inhibitor concentration and fitting the data to a dose-response curve.

Kinome Scanning Technologies

Other widely used platforms for comprehensive kinome profiling include:

- KINOMEscan™ (DiscoverX): This is a binding assay that quantitatively measures the interactions between a test compound and a large panel of DNA-tagged kinases. The amount of kinase captured on a solid support is measured, and a lower amount in the presence of the inhibitor indicates binding.
- KiNativ™ (ActivX): This is an activity-based protein profiling platform that uses ATP-acyl phosphate probes to covalently label the ATP binding sites of active kinases in a native proteome. The inhibition of probe labeling by a compound indicates its interaction with the target kinase.
- Kinobeads: This chemoproteomics approach utilizes immobilized broad-spectrum kinase inhibitors (kinobeads) to capture a significant portion of the kinome from cell or tissue lysates. Competitive binding with a free inhibitor in solution allows for the determination of the inhibitor's targets and their relative affinities.

The following diagram illustrates a general workflow for determining inhibitor selectivity.



[Click to download full resolution via product page](#)

Workflow for determining inhibitor selectivity.

Conclusion

The development of highly selective kinase inhibitors is a complex but essential endeavor in modern drug discovery. The data presented in this guide highlights the varying selectivity profiles of different PI5P4K inhibitors. While compounds like PI5P4Ks-IN-2 demonstrate high selectivity for the γ -isoform, others like CC260 show dual α/β inhibition, and some, such as THZ-P1-2, act as pan-inhibitors. A thorough understanding of an inhibitor's cross-reactivity, obtained through rigorous kinome profiling using methodologies like those described, is critical for interpreting experimental results and for the successful development of safe and effective therapeutics. Researchers are encouraged to consider the full kinome profile of any inhibitor to anticipate potential off-target effects and to design more precise experiments.

Need Custom Synthesis?

BenchChem offers custom synthesis for rare earth carbides and specific isotopic labeling.

Email: info@benchchem.com or [Request Quote Online](#).

References

- [1. Development of Selective Phosphatidylinositol 5-Phosphate 4-Kinase \$\gamma\$ Inhibitors with a Non-ATP-competitive, Allosteric Binding Mode - PMC \[pmc.ncbi.nlm.nih.gov\]](#)
- [2. PI5P4K inhibitors: promising opportunities and challenges - PMC \[pmc.ncbi.nlm.nih.gov\]](#)
- [3. repository.lsu.edu \[repository.lsu.edu\]](#)
- [4. benchchem.com \[benchchem.com\]](#)
- To cite this document: BenchChem. [Navigating the Kinome: A Comparative Guide to PI5P4K Inhibitor Selectivity]. BenchChem, [2026]. [Online PDF]. Available at: [\[https://www.benchchem.com/product/b12410290/docs#navigating-the-kinome-a-comparative-guide-to-pi5p4k-inhibitor-selectivity\]](https://www.benchchem.com/product/b12410290/docs#navigating-the-kinome-a-comparative-guide-to-pi5p4k-inhibitor-selectivity)

Disclaimer & Data Validity:

The information provided in this document is for Research Use Only (RUO) and is strictly not intended for diagnostic or therapeutic procedures. While BenchChem strives to provide

accurate protocols, we make no warranties, express or implied, regarding the fitness of this product for every specific experimental setup.

Technical Support: The protocols provided are for reference purposes. Unsure if this reagent suits your experiment?

Need Industrial/Bulk Grade? [Request Custom Synthesis Quote](#)

BenchChem

Our mission is to be the trusted global source of essential and advanced chemicals, empowering scientists and researchers to drive progress in science and industry.

Contact

Address: 3281 E Guasti Rd

Ontario, CA 91761, United States

Phone: (601) 213-4426

Email: info@benchchem.com

[Contact our Ph.D. Support Team for a compatibility check](#)