

# Application Notes and Protocols for Casein Kinase 1 Alpha (CK1 $\alpha$ ) Activity Assay

**Author:** BenchChem Technical Support Team. **Date:** April 2026

## Compound of Interest

Compound Name: M5N36  
Cat. No.: B12405699

[Get Quote](#)

For Researchers, Scientists, and Drug Development Professionals

## Introduction

Casein Kinase 1 Alpha (CK1 $\alpha$ ), encoded by the CSNK1A1 gene, is a highly conserved serine/threonine protein kinase that plays a pivotal role in a multitude of cellular processes.[1][2] As a key regulator of various signaling pathways, including Wnt/ $\beta$ -catenin, p53, and Hedgehog, CK1 $\alpha$  is implicated in cell cycle progression, apoptosis, circadian rhythms, and DNA repair.[1][2][3] Dysregulation of CK1 $\alpha$  activity is associated with several pathologies, most notably cancer and neurodegenerative diseases, making it a compelling target for drug discovery and therapeutic intervention.[1][4]

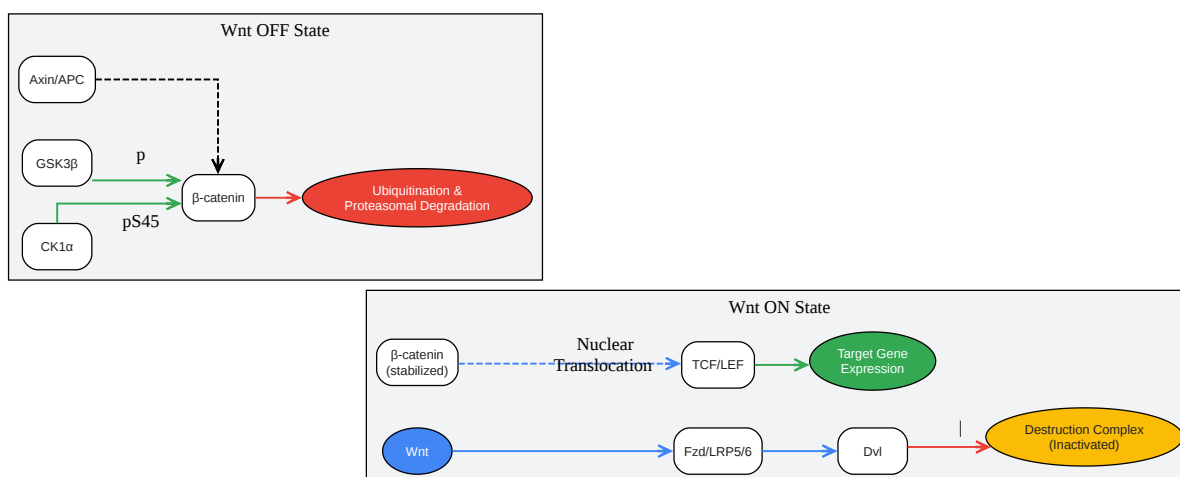
These application notes provide a comprehensive overview and detailed protocols for performing a CK1 $\alpha$  activity assay. The information herein is designed to guide researchers in the quantitative measurement of CK1 $\alpha$  kinase activity, enabling the screening and characterization of potential inhibitors or activators, such as the hypothetical compound **M5N36**.

## Signaling Pathways Involving CK1 $\alpha$

CK1 $\alpha$  is a central node in several critical signaling cascades. Understanding its interactions is crucial for interpreting assay results and elucidating the mechanism of action of novel compounds.

## Wnt/ $\beta$ -catenin Signaling

In the absence of a Wnt signal, CK1 $\alpha$  is a key component of the  $\beta$ -catenin destruction complex. [1][3][5] It phosphorylates  $\beta$ -catenin at Serine 45, priming it for subsequent phosphorylation by GSK3 $\beta$ , which ultimately leads to its ubiquitination and proteasomal degradation. [1][5] By activating CK1 $\alpha$ , compounds can enhance the degradation of  $\beta$ -catenin, thereby inhibiting Wnt-driven cellular proliferation, a hallmark of many cancers. [6][7] Conversely, inhibition of CK1 $\alpha$  can lead to the stabilization and nuclear translocation of  $\beta$ -catenin, activating Wnt target gene expression. [5][6]

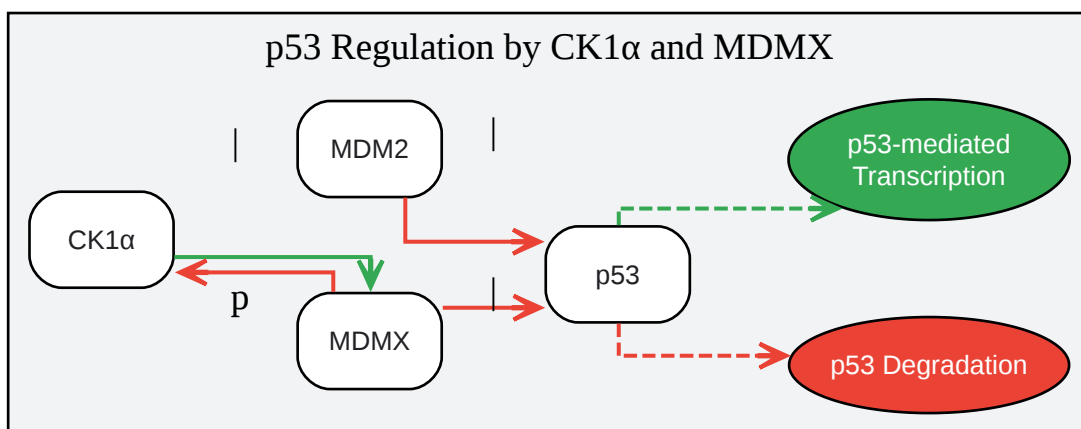


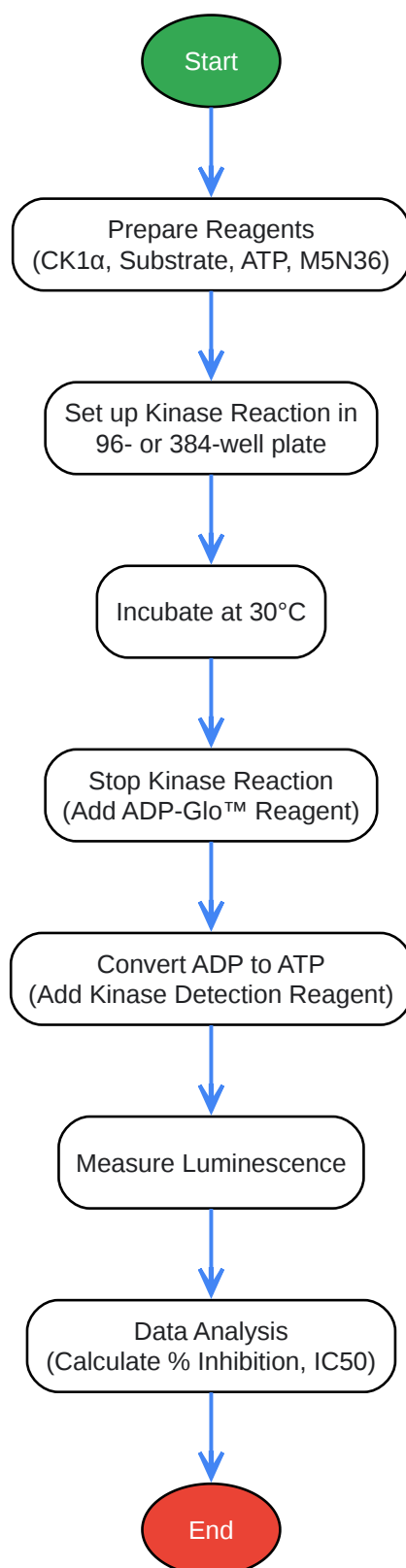
[Click to download full resolution via product page](#)

**Caption:** Wnt/ $\beta$ -catenin signaling pathway highlighting the role of CK1 $\alpha$ .

## p53 Regulation

CK1 $\alpha$  also plays a complex role in the regulation of the tumor suppressor p53. It can directly phosphorylate p53, but more significantly, it interacts with and phosphorylates MDM2 and its homolog MDMX, which are E3 ubiquitin ligases that target p53 for degradation.[8][9] The interaction between CK1 $\alpha$  and MDMX is particularly important; CK1 $\alpha$  can phosphorylate MDMX, which in turn enhances its ability to bind and inhibit p53.[9] Interestingly, MDMX also acts as a potent competitive inhibitor of CK1 $\alpha$ , creating a complex feedback loop.[5] Disruption of the CK1 $\alpha$ -MDMX interaction can lead to p53 activation.[10]





[Click to download full resolution via product page](#)

**Need Custom Synthesis?**

BenchChem offers custom synthesis for rare earth carbides and specific isotopic labeling.

Email: [info@benchchem.com](mailto:info@benchchem.com) or [Request Quote Online](#).

## References

- 1. Casein kinase 1 $\alpha$ : biological mechanisms and theranostic potential - PMC [[pmc.ncbi.nlm.nih.gov](https://pubmed.ncbi.nlm.nih.gov/)]
- 2. [sigmaaldrich.com](https://www.sigmaaldrich.com) [[sigmaaldrich.com](https://www.sigmaaldrich.com)]
- 3. [mdpi.com](https://www.mdpi.com) [[mdpi.com](https://www.mdpi.com)]
- 4. Kinase Activity Assay | Creative Diagnostics [[creative-diagnostics.com](https://www.creative-diagnostics.com)]
- 5. MDMX inhibits casein kinase 1 $\alpha$  activity and stimulates Wnt signaling - PMC [[pmc.ncbi.nlm.nih.gov](https://pubmed.ncbi.nlm.nih.gov/)]
- 6. [mdpi.com](https://www.mdpi.com) [[mdpi.com](https://www.mdpi.com)]
- 7. [researchgate.net](https://www.researchgate.net) [[researchgate.net](https://www.researchgate.net)]
- 8. [PDF] CK1 $\alpha$  Plays a Central Role in Mediating MDM2 Control of p53 and E2F-1 Protein Stability | Semantic Scholar [[semanticscholar.org](https://www.semanticscholar.org)]
- 9. Regulation of p53-MDMX Interaction by Casein Kinase 1 Alpha - PMC [[pmc.ncbi.nlm.nih.gov](https://pubmed.ncbi.nlm.nih.gov/)]
- 10. [mdanderson.elsevierpure.com](https://www.mdanderson.elsevierpure.com) [[mdanderson.elsevierpure.com](https://www.mdanderson.elsevierpure.com)]
- To cite this document: BenchChem. [Application Notes and Protocols for Casein Kinase 1 Alpha (CK1 $\alpha$ ) Activity Assay]. BenchChem, [2026]. [Online PDF]. Available at: [<https://www.benchchem.com/product/b12405699/docs#application-notes-and-protocols-for-casein-kinase-1-alpha-ck1-activity-assay>]

---

### Disclaimer & Data Validity:

The information provided in this document is for Research Use Only (RUO) and is strictly not intended for diagnostic or therapeutic procedures. While BenchChem strives to provide accurate protocols, we make no warranties, express or implied, regarding the fitness of this product for every specific experimental setup.

**Technical Support:** The protocols provided are for reference purposes. Unsure if this reagent suits your experiment?

**Need Industrial/Bulk Grade?** [Request Custom Synthesis Quote](#)

## BenchChem

Our mission is to be the trusted global source of essential and advanced chemicals, empowering scientists and researchers to drive progress in science and industry.

### Contact

Address: 3281 E Guasti Rd  
Ontario, CA 91761, United States  
Phone: (601) 213-4426  
Email: [info@benchchem.com](mailto:info@benchchem.com)

[Contact our Ph.D. Support Team for a compatibility check](#)