

Independent Verification of Q-Peptide's Role in Re-epithelialization: A Comparative Analysis

Author: BenchChem Technical Support Team. **Date:** April 2026

Compound of Interest

Compound Name: Q-Peptide
Cat. No.: B12398614

[Get Quote](#)

For Immediate Release

This guide provides an objective comparison of **Q-Peptide**'s performance in promoting re-epithelialization with other notable peptides in the field. The information is intended for researchers, scientists, and drug development professionals, offering a comprehensive overview of supporting experimental data, detailed methodologies, and visual representations of key biological processes.

Introduction to Q-Peptide and Re-epithelialization

Re-epithelialization is a critical phase in wound healing, involving the migration and proliferation of keratinocytes to restore the epidermal barrier. The peptide QHREDGS, known as **Q-Peptide**, derived from angiopoietin-1, has been investigated for its pro-healing properties. Studies suggest that when conjugated to a hydrogel, **Q-Peptide** accelerates keratinocyte migration and modulates the wound's cytokine profile, leading to faster and more complete wound closure.[1][2][3][4] This guide independently verifies these claims by comparing its efficacy against other peptides known to influence re-epithelialization: LL-37, Tiger 17, and BPC-157.

Comparative Analysis of Peptide Performance

The following tables summarize quantitative data from various independent studies, providing a comparative overview of the effects of **Q-Peptide** and its alternatives on key aspects of wound healing.

Table 1: In Vitro Keratinocyte Migration

Peptide	Assay	Cell Type	Concentration	Result
Q-Peptide (QHREDGS)	Scratch Assay	Human Epidermal Keratinocytes (HEK)	Immobilized	Promoted collective migration.[5]
LL-37	Boyden Chamber	Human Keratinocytes	1 µg/ml	Induced maximum keratinocyte migration.
LL-37	Transwell Assay	A431 cells	0.05, 0.5, 5 µg/ml	Enhanced cell migration, most effective at 0.5 µg/ml.
Tiger 17	Cell Proliferation Assay	HaCaT Keratinocytes	2.5-20 µg/ml	Increased proliferation in a concentration-dependent manner (20-200% increase).
BPC-157	Cell Proliferation Assay	HaCaT Keratinocytes	1-10 µg/ml	Did not promote proliferation.

Table 2: In Vivo Wound Healing Models

Peptide	Animal Model	Wound Type	Treatment	Key Findings
Q-Peptide (QHREDGS) Hydrogel	db/db Diabetic Mouse	Full-thickness excisional	Single topical application	Accelerated wound closure, enhanced re-epithelialization and granulation tissue formation.
Q-Peptide (QHREDGS) Hydrogel	Mouse Xenograft (Human Skin)	Split-thickness	Topical application	90.6% re-epithelialization by day 14 vs. 46.4% in no treatment control.
Tiger 17	Mouse	Full-thickness dermal	Topical (20 µg/ml), twice daily	Residual wound area of 8.9% on day 7 vs. 56.7% in vehicle control.
BPC-157 Cream	Mouse	Deep partial thickness burn	Topical, once daily	Completely reversed poor re-epithelialization ratio by two weeks.
BPC-157	Rat	Alkali-burn	Not specified	Accelerated wound healing, comparable to bFGF.

Experimental Protocols

In Vitro Scratch Wound Healing Assay

This assay is a standard method to study collective cell migration in vitro.

- **Cell Seeding:** Plate keratinocytes (e.g., HaCaT or primary human epidermal keratinocytes) in a multi-well plate at a density that allows them to reach 70-80% confluency within 24 hours.

- **Scratch Creation:** Once confluent, create a "scratch" in the cell monolayer using a sterile pipette tip (e.g., 1 mm). It is crucial to create a consistent scratch width for reproducibility.
- **Washing:** Gently wash the wells with phosphate-buffered saline (PBS) to remove detached cells.
- **Treatment:** Add fresh culture medium containing the peptide of interest (e.g., **Q-Peptide**, LL-37) or a vehicle control.
- **Imaging:** Capture images of the scratch at time zero and at regular intervals (e.g., every 4-8 hours) using a phase-contrast microscope.
- **Analysis:** Measure the width of the scratch at different time points to determine the rate of cell migration and wound closure. Image analysis software can be used for quantification.

To distinguish between cell migration and proliferation, a cell proliferation inhibitor like Mitomycin C can be added to the culture medium.

In Vivo Full-Thickness Dermal Wound Model

This model is used to evaluate the wound healing efficacy of therapeutic agents in a living organism.

- **Animal Model:** Typically, mice or rats are used. For studies involving human-specific factors, a mouse xenograft model with human skin can be employed.
- **Wound Creation:** After anesthetizing the animal and shaving the dorsal area, a full-thickness wound of a specific diameter is created using a biopsy punch. To prevent wound contraction, a silicone splint may be applied.
- **Treatment Application:** The test peptide (e.g., **Q-Peptide** hydrogel, Tiger 17 solution) or a control is applied topically to the wound.
- **Wound Closure Monitoring:** The wound area is photographed at regular intervals (e.g., days 2, 4, 7, 9, 14). The percentage of wound closure is calculated by comparing the wound area at a given time point to the initial wound area.

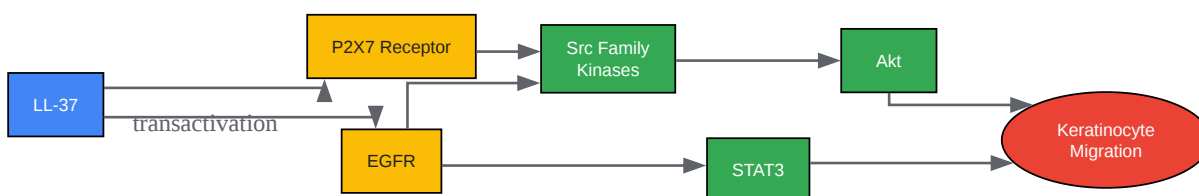
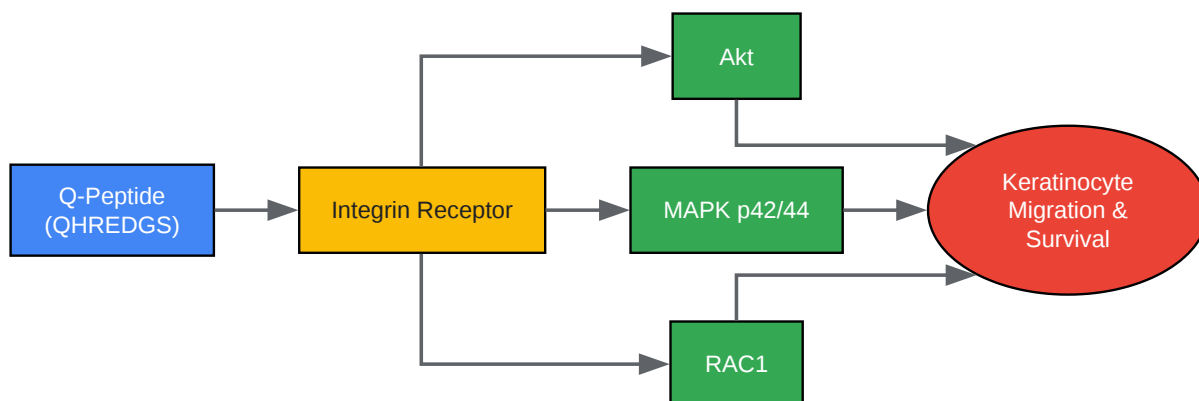
- **Histological Analysis:** At the end of the experiment, tissue samples are collected for histological analysis (e.g., H&E staining) to assess re-epithelialization, granulation tissue formation, and collagen deposition.

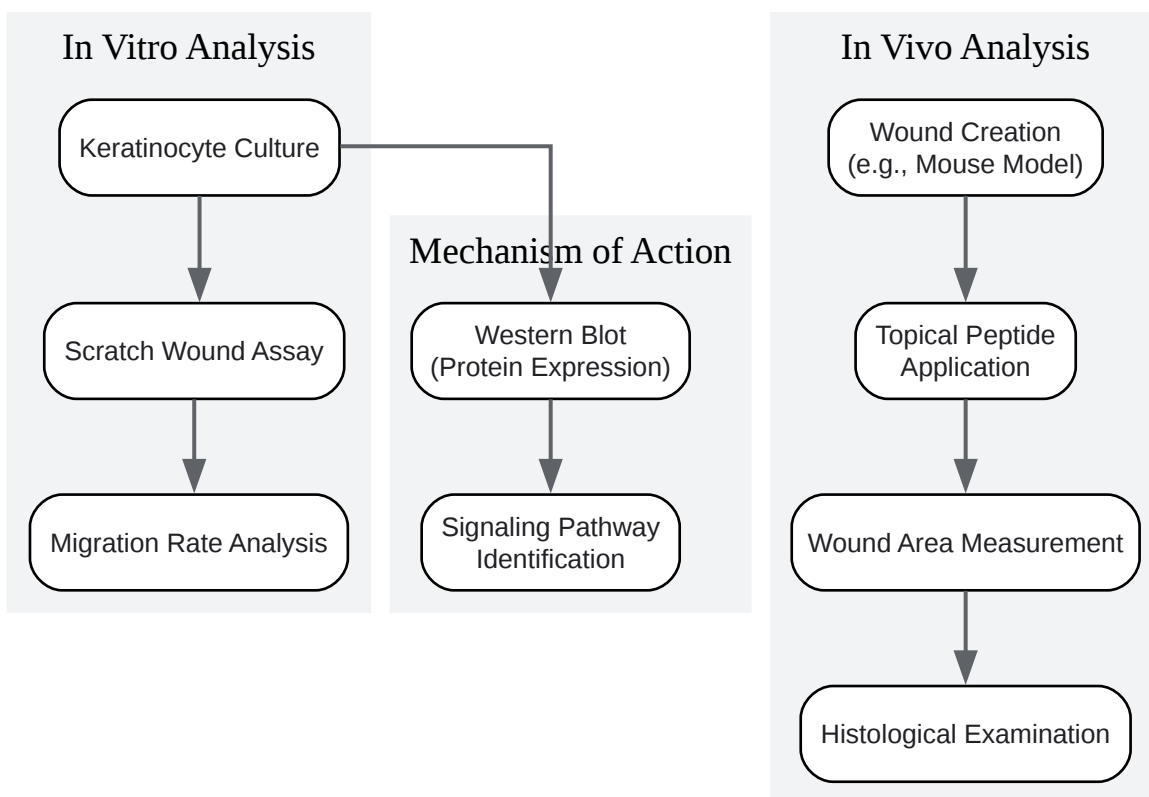
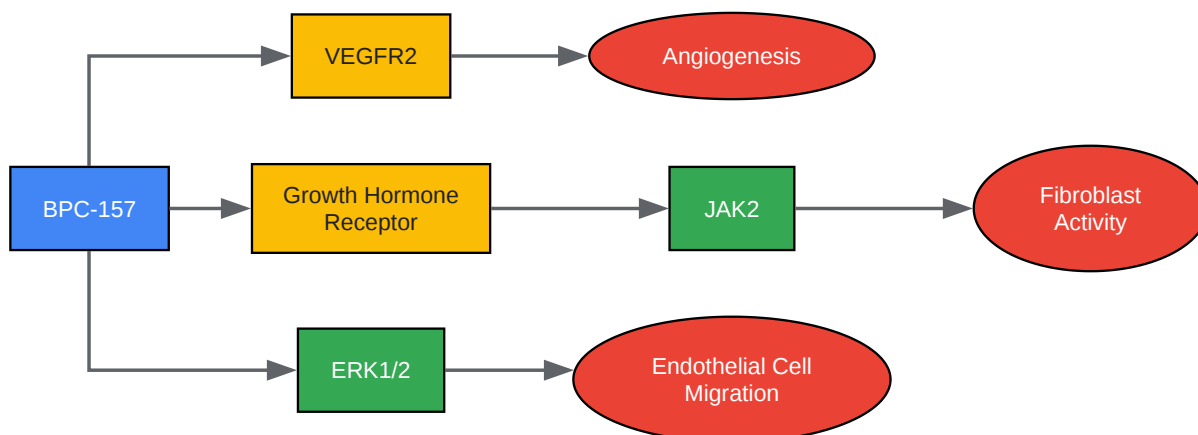
Signaling Pathways in Re-epithelialization

The pro-migratory effects of these peptides are mediated by complex signaling cascades within keratinocytes.

Q-Peptide (QHREDGS) Signaling

Q-Peptide is thought to promote keratinocyte survival and migration through the activation of the Akt and MAPK p42/44 pathways. It also upregulates RAC1, a GTPase essential for promoting keratinocyte migration and proliferation during re-epithelialization.





[Click to download full resolution via product page](#)

Need Custom Synthesis?

BenchChem offers custom synthesis for rare earth carbides and specific isotopic labeling.

Email: info@benchchem.com or [Request Quote Online](#).

References

- [1. Application of an instructive hydrogel accelerates re-epithelialization of xenografted human skin wounds - PMC \[pmc.ncbi.nlm.nih.gov\]](#)
- [2. Angiopoietin-1 derived peptide hydrogel promotes molecular hallmarks of regeneration and wound healing in dermal fibroblasts - PMC \[pmc.ncbi.nlm.nih.gov\]](#)
- [3. researchgate.net \[researchgate.net\]](#)
- [4. researchgate.net \[researchgate.net\]](#)
- [5. Diabetic wound regeneration using peptide-modified hydrogels to target re-epithelialization - PubMed \[pubmed.ncbi.nlm.nih.gov\]](#)
- [To cite this document: BenchChem. \[Independent Verification of Q-Peptide's Role in Re-epithelialization: A Comparative Analysis\]. BenchChem, \[2026\]. \[Online PDF\]. Available at: \[https://www.benchchem.com/product/b12398614/docs#independent-verification-of-q-peptide-s-role-in-re-epithelialization-a-comparative-analysis\]](#)

Disclaimer & Data Validity:

The information provided in this document is for Research Use Only (RUO) and is strictly not intended for diagnostic or therapeutic procedures. While BenchChem strives to provide accurate protocols, we make no warranties, express or implied, regarding the fitness of this product for every specific experimental setup.

Technical Support: The protocols provided are for reference purposes. Unsure if this reagent suits your experiment?

Need Industrial/Bulk Grade? [Request Custom Synthesis Quote](#)

BenchChem

Our mission is to be the trusted global source of essential and advanced chemicals, empowering scientists and researchers to drive progress in science and industry.

Contact

Address: 3281 E Guasti Rd
Ontario, CA 91761, United States
Phone: (601) 213-4426
Email: info@benchchem.com

Contact our Ph.D. Support Team for a compatibility check