

Application Notes and Protocols for BPDA2 in Cell Culture Experiments

Author: BenchChem Technical Support Team. **Date:** April 2026

Compound of Interest

Compound Name: BPDA2
Cat. No.: B12398005

[Get Quote](#)

For Researchers, Scientists, and Drug Development Professionals

These application notes provide a comprehensive guide for utilizing **BPDA2**, a selective SHP2 inhibitor, in cell culture experiments. Detailed protocols for key assays are provided to facilitate the investigation of its biological effects and potential as a therapeutic agent.

Introduction

BPDA2 is a potent and highly selective inhibitor of the Src homology region 2 (SH2)-containing protein tyrosine phosphatase 2 (SHP2).[1][2][3] SHP2 is a non-receptor protein tyrosine phosphatase that plays a critical role in mediating signal transduction downstream of various receptor tyrosine kinases (RTKs). It is a key component of the RAS-RAF-MEK-ERK and PI3K-AKT signaling pathways, which are frequently dysregulated in cancer, promoting cell proliferation, survival, and differentiation. By inhibiting SHP2, **BPDA2** effectively downregulates these mitogenic and cell survival signals, making it a valuable tool for cancer research and drug development.[1][3]

Mechanism of Action

BPDA2 acts as a competitive, active-site inhibitor of SHP2.[3] Its high selectivity for SHP2 over other phosphatases like SHP1 and PTP1B allows for targeted investigation of SHP2-mediated signaling pathways.[2] Inhibition of SHP2 by **BPDA2** leads to a reduction in the dephosphorylation of SHP2 substrates, which in turn attenuates the activation of downstream signaling cascades, most notably the ERK1/2 and Akt pathways.[1][3]

Data Presentation

The following tables summarize the quantitative data regarding the activity of **BPDA2** and a closely related SHP2 inhibitor, CNBCA. This data is essential for designing experiments and interpreting results.

Table 1: In Vitro Inhibitory Activity of **BPDA2**

Target	IC50	Substrate	Reference
SHP2	92.0 nM	DiFMUP	[2]
SHP2	47 nM	pNPP	[2]
SHP1	33.39 μ M	DiFMUP	[1]
PTP1B	40.71 μ M	DiFMUP	[1]

Table 2: Cellular Activity of **BPDA2** in Breast Cancer Cells

Assay	Cell Line	Concentration Range	Duration	Effect	Reference
Inhibition of p-Akt and p-ERK1/2	Not specified	0.2 - 3.2 μ M	Not specified	Concentration-dependent inhibition	[1]
Anchorage-Independent Growth	Not specified	0.25 - 4.0 μ M	10 days	Concentration-dependent suppression	[1]

Table 3: Cellular Activity of the Structurally Similar SHP2 Inhibitor CNBCA in Breast Cancer Cells

Assay	Cell Line	IC50	Reference
SHP2 PTPase Activity	Not specified	0.87 μ M	[4]
Cell Proliferation	Not specified	Not specified	Suppression
Colony Formation	Not specified	Not specified	Suppression
Mammosphere Growth	Not specified	Not specified	Suppression

Experimental Protocols

Here are detailed protocols for key experiments to assess the effects of **BPDA2** in cell culture.

Protocol 1: Cell Viability/Proliferation Assay (MTT Assay)

This protocol is designed to determine the effect of **BPDA2** on the viability and proliferation of cancer cells.

Materials:

- Cancer cell line of interest (e.g., MDA-MB-231, MCF-7)
- Complete cell culture medium
- **BPDA2** (stock solution in DMSO)
- 96-well plates
- MTT (3-(4,5-dimethylthiazol-2-yl)-2,5-diphenyltetrazolium bromide) solution (5 mg/mL in PBS)
- DMSO
- Microplate reader

Procedure:

- **Cell Seeding:** Seed cells in a 96-well plate at a density of 5,000-10,000 cells/well in 100 μ L of complete medium. Incubate overnight at 37°C in a humidified 5% CO₂ incubator.
- **Compound Treatment:** Prepare serial dilutions of **BPDA2** in complete medium. The final concentrations should typically range from 0.1 μ M to 50 μ M. Remove the medium from the wells and add 100 μ L of the **BPDA2** dilutions. Include a vehicle control (DMSO) at the same final concentration as in the highest **BPDA2** treatment.
- **Incubation:** Incubate the plate for 24, 48, or 72 hours at 37°C.
- **MTT Addition:** After the incubation period, add 20 μ L of MTT solution to each well and incubate for 4 hours at 37°C, protected from light.
- **Formazan Solubilization:** Carefully remove the medium and add 150 μ L of DMSO to each well to dissolve the formazan crystals.
- **Absorbance Measurement:** Measure the absorbance at 570 nm using a microplate reader.
- **Data Analysis:** Calculate the percentage of cell viability relative to the vehicle control. Plot the percentage of viability against the log of the **BPDA2** concentration to determine the IC₅₀ value.

Protocol 2: Western Blot Analysis of p-Akt and p-ERK1/2

This protocol details the procedure for analyzing the phosphorylation status of Akt and ERK1/2 in response to **BPDA2** treatment.

Materials:

- Cancer cell line of interest
- Complete cell culture medium
- **BPDA2** (stock solution in DMSO)
- 6-well plates

- Ice-cold PBS
- RIPA lysis buffer supplemented with protease and phosphatase inhibitors
- BCA protein assay kit
- Laemmli sample buffer
- SDS-PAGE gels
- PVDF membranes
- Blocking buffer (e.g., 5% non-fat milk or BSA in TBST)
- Primary antibodies (anti-p-Akt, anti-Akt, anti-p-ERK1/2, anti-ERK1/2, and a loading control like β -actin or GAPDH)
- HRP-conjugated secondary antibodies
- ECL detection reagent
- Imaging system

Procedure:

- **Cell Seeding and Treatment:** Seed cells in 6-well plates and grow to 70-80% confluency. Treat the cells with various concentrations of **BPDA2** (e.g., 0, 0.2, 0.4, 0.8, 1.6, 3.2 μ M) for a specified time (e.g., 2, 6, 12, 24 hours).
- **Cell Lysis:** After treatment, wash the cells twice with ice-cold PBS. Add 100-150 μ L of ice-cold RIPA buffer to each well, scrape the cells, and transfer the lysate to a microcentrifuge tube.
- **Protein Quantification:** Determine the protein concentration of each lysate using the BCA assay.
- **Sample Preparation:** Mix equal amounts of protein (20-30 μ g) with Laemmli sample buffer and boil for 5 minutes.

- SDS-PAGE and Transfer: Separate the proteins by SDS-PAGE and transfer them to a PVDF membrane.
- Blocking and Antibody Incubation: Block the membrane with blocking buffer for 1 hour at room temperature. Incubate the membrane with the primary antibody overnight at 4°C.
- Secondary Antibody and Detection: Wash the membrane with TBST and incubate with the HRP-conjugated secondary antibody for 1 hour at room temperature. After further washes, add the ECL reagent and visualize the protein bands using an imaging system.
- Densitometry Analysis: Quantify the band intensities using image analysis software. Normalize the phosphorylated protein levels to the total protein levels.

Protocol 3: Anchorage-Independent Growth Assay (Soft Agar Assay)

This assay assesses the effect of **BPDA2** on the ability of cancer cells to grow in an anchorage-independent manner, a hallmark of transformation.

Materials:

- Cancer cell line of interest
- Complete cell culture medium
- **BPDA2** (stock solution in DMSO)
- Agar
- 6-well plates

Procedure:

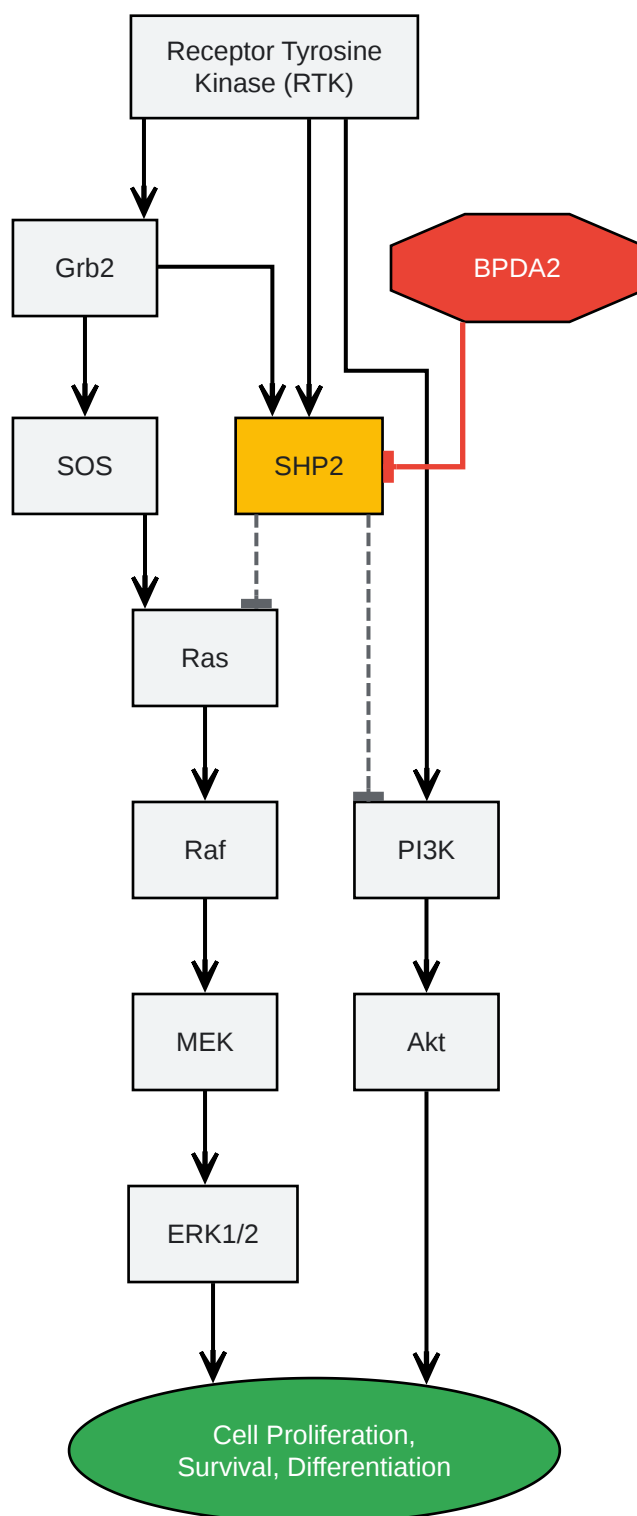
- Bottom Agar Layer: Prepare a 0.6% agar solution in complete medium. Pipette 2 mL of this solution into each well of a 6-well plate and allow it to solidify at room temperature.
- Cell Suspension in Top Agar: Prepare a 0.3% agar solution in complete medium. Trypsinize and count the cells. Resuspend the cells in the 0.3% agar solution at a density of 5,000-

10,000 cells/mL.

- **Plating Cells:** Add 1 mL of the cell suspension in the top agar onto the solidified bottom agar layer.
- **Compound Treatment:** After the top layer solidifies, add 100 μ L of complete medium containing **BPDA2** at the desired concentrations (e.g., 0, 0.25, 0.5, 1.0, 2.0, 4.0 μ M) on top of the agar.
- **Incubation and Feeding:** Incubate the plates at 37°C for 10-21 days. Feed the colonies every 2-3 days by adding fresh medium containing **BPDA2**.
- **Colony Staining and Counting:** After the incubation period, stain the colonies with a solution of 0.005% crystal violet in methanol for 1 hour. Count the number of colonies using a microscope.
- **Data Analysis:** Compare the number and size of colonies in the **BPDA2**-treated wells to the vehicle control.

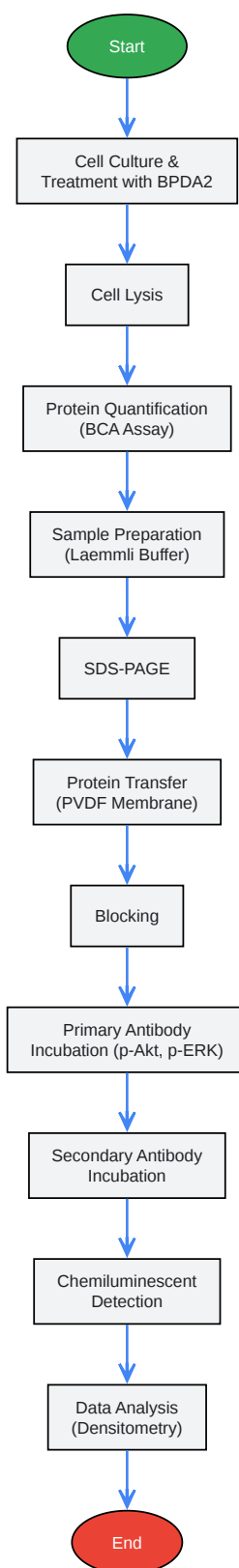
Mandatory Visualizations

The following diagrams illustrate the key signaling pathway affected by **BPDA2** and the general experimental workflows.



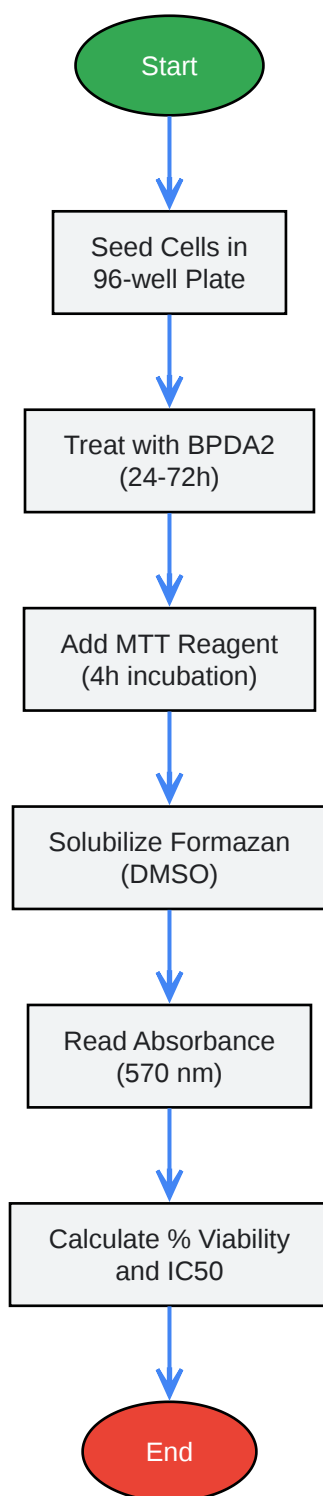
[Click to download full resolution via product page](#)

Caption: SHP2 signaling pathway and the inhibitory action of **BPDA2**.



[Click to download full resolution via product page](#)

Caption: Experimental workflow for Western blot analysis.



[Click to download full resolution via product page](#)

Caption: Workflow for the MTT cell viability assay.

Need Custom Synthesis?

BenchChem offers custom synthesis for rare earth carbides and specific isotopic labeling.

Email: info@benchchem.com or [Request Quote Online](#).

References

- [1. medchemexpress.com \[medchemexpress.com\]](https://www.medchemexpress.com)
- [2. Design and synthesis of improved active-site SHP2 inhibitors with anti-breast cancer cell effects - PubMed \[pubmed.ncbi.nlm.nih.gov\]](#)
- [3. medchemexpress.com \[medchemexpress.com\]](https://www.medchemexpress.com)
- [4. Targeting SHP2 with an Active Site Inhibitor Blocks Signaling and Breast Cancer Cell Phenotypes - PMC \[pmc.ncbi.nlm.nih.gov\]](#)
- To cite this document: BenchChem. [Application Notes and Protocols for BPDA2 in Cell Culture Experiments]. BenchChem, [2026]. [Online PDF]. Available at: [\[https://www.benchchem.com/product/b12398005/docs#application-notes-and-protocols-for-bpda2-in-cell-culture-experiments\]](https://www.benchchem.com/product/b12398005/docs#application-notes-and-protocols-for-bpda2-in-cell-culture-experiments)

Disclaimer & Data Validity:

The information provided in this document is for Research Use Only (RUO) and is strictly not intended for diagnostic or therapeutic procedures. While BenchChem strives to provide accurate protocols, we make no warranties, express or implied, regarding the fitness of this product for every specific experimental setup.

Technical Support: The protocols provided are for reference purposes. Unsure if this reagent suits your experiment?

Need Industrial/Bulk Grade? [Request Custom Synthesis Quote](#)

BenchChem

Our mission is to be the trusted global source of essential and advanced chemicals, empowering scientists and researchers to drive progress in science and industry.

Contact

Address: 3281 E Guasti Rd
Ontario, CA 91761, United States
Phone: (601) 213-4426
Email: info@benchchem.com

[Contact our Ph.D. Support Team for a compatibility check](#)